

1 2 3 4 5 6 7 8

MSP-DCCPPNR

D

D

C

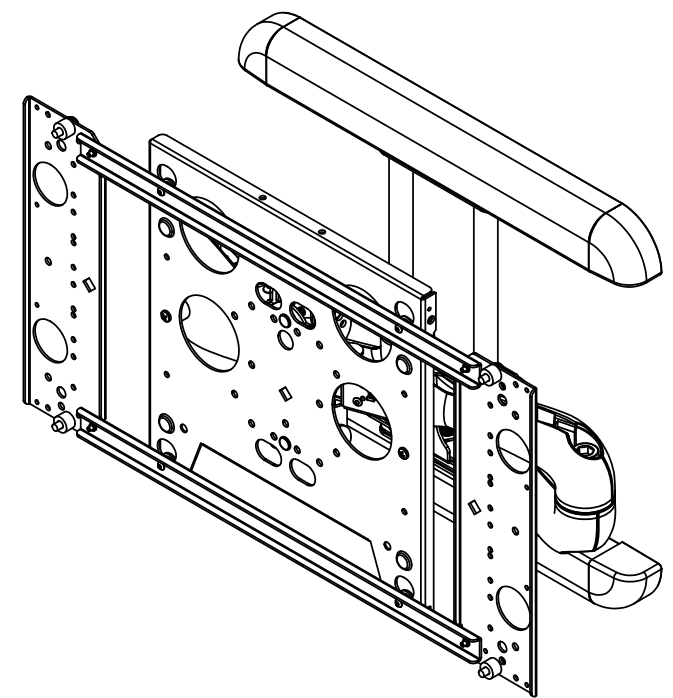
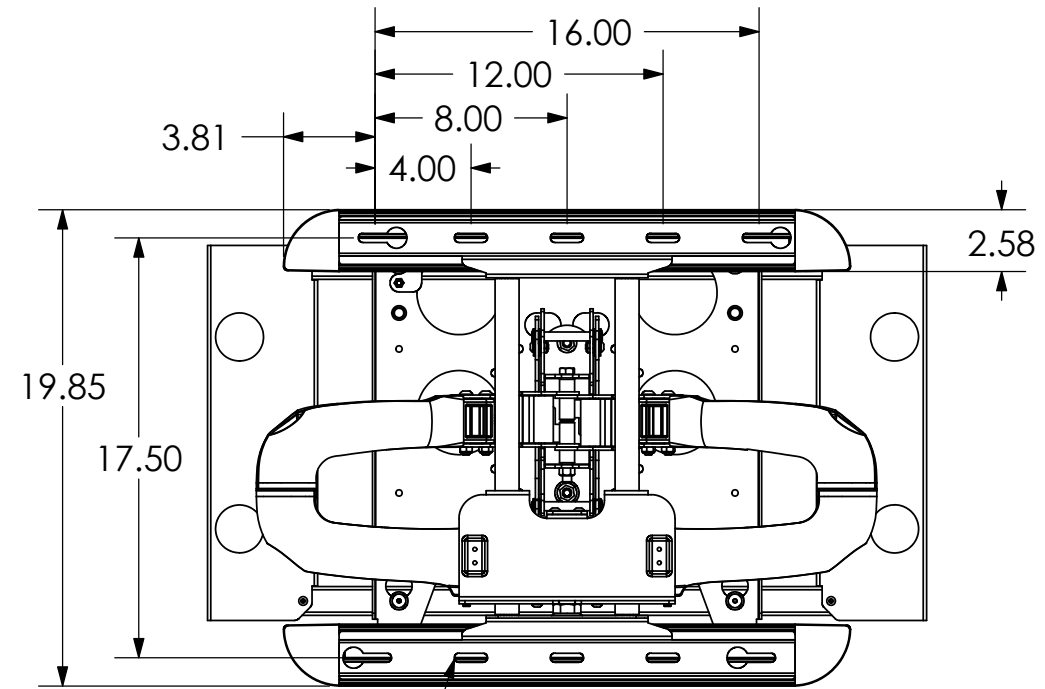
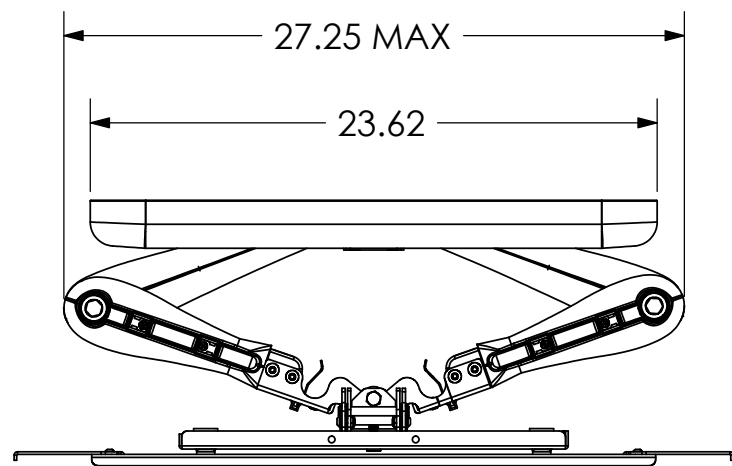
C

B

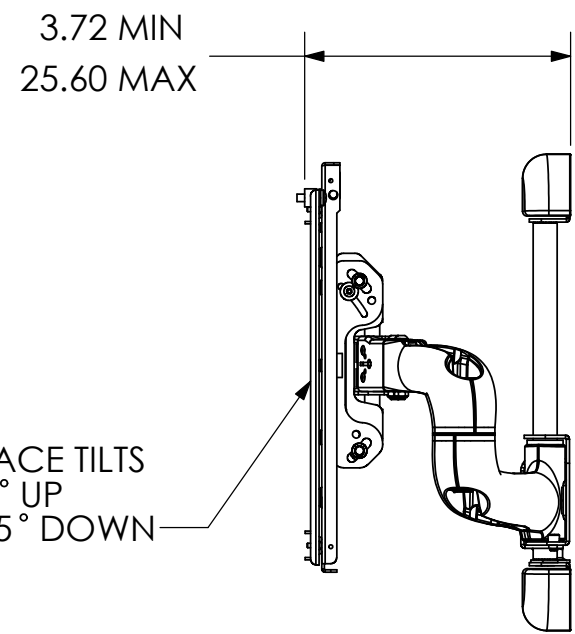
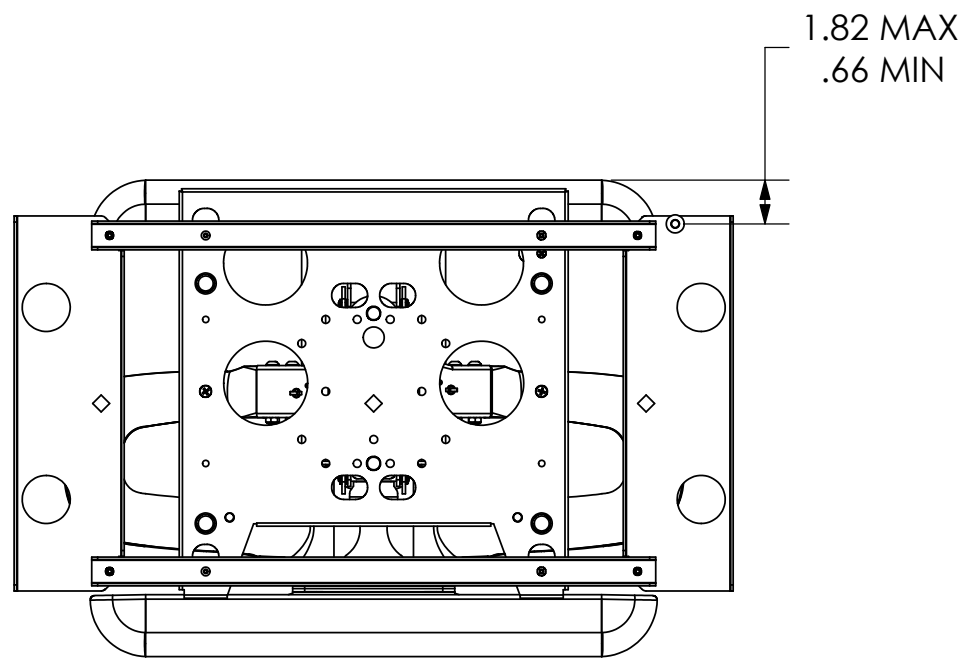
B

A

A



3/8" x 1" SLOT
BACK VIEW



ARM ASSEMBLY CAN BE SHIFTED LEFT OR RIGHT. (4" EITHER SIDE OF CENTER)



CHIEF MANUFACTURING INC.
MOUNT ORDER NUMBER IS MSP-DCCPPNR
PHONE: 1-800-582-6480

THE INFORMATION AND DESIGNS CONTAINED IN THIS DRAWING ARE CONFIDENTIAL AND THE PROPRIETARY PROPERTY OF CHIEF MFG., INC. NEITHER THIS DESIGN NOR ANY INFORMATION CONTAINED IN THIS DRAWING MAY BE REPRODUCED OR DISCLOSED TO OTHERS WITHOUT THE EXPRESS WRITTEN CONSENT OF CHIEF MFG., INC.

 CHIEF MANUFACTURING, INC. <small>8401 EAGLE CREEK PKWY STE. 700, SAVAGE, MN 55378 1.800.582.6480 * FAX 1.877.894.6918</small>	
TITLE	
MSP-DCCPPNR	
SIZE	DWG. NO.
B	MSP-DCCPPNR

1 1 2 3 4 5 6 7 8