

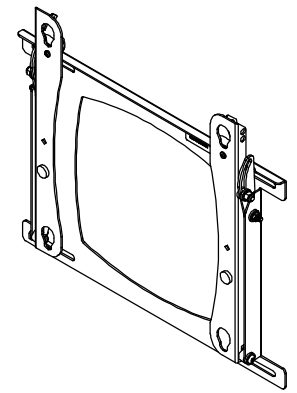
1 2 3 4 5 6 7 8

MSP-DEL1

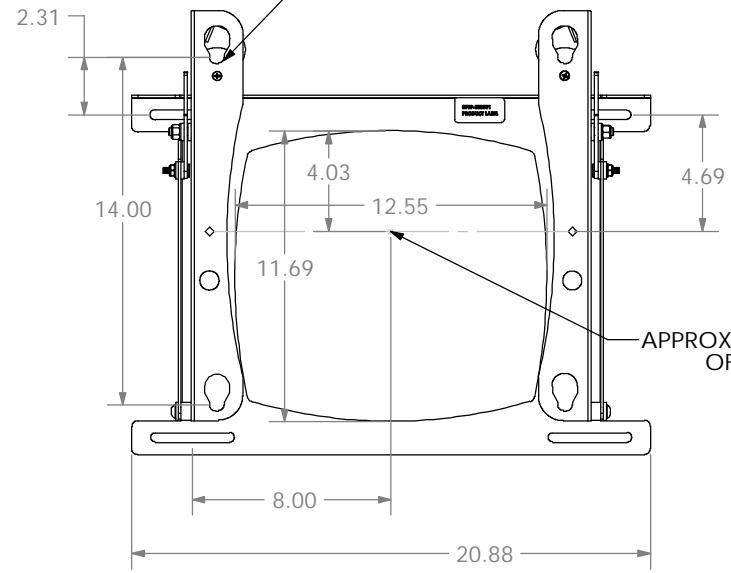


NOTE: INTERFACE BRACKET NOT SHOWN. THE INTERFACE BRACKET NEEDED FOR YOUR DISPLAY WILL ADD BETWEEN 1/2" AND 2" IN DEPTH AND MAY AFFECT LOCATION OF DISPLAY ON THE MOUNT

SEE PSB-XXXX DRAWING ALSO.

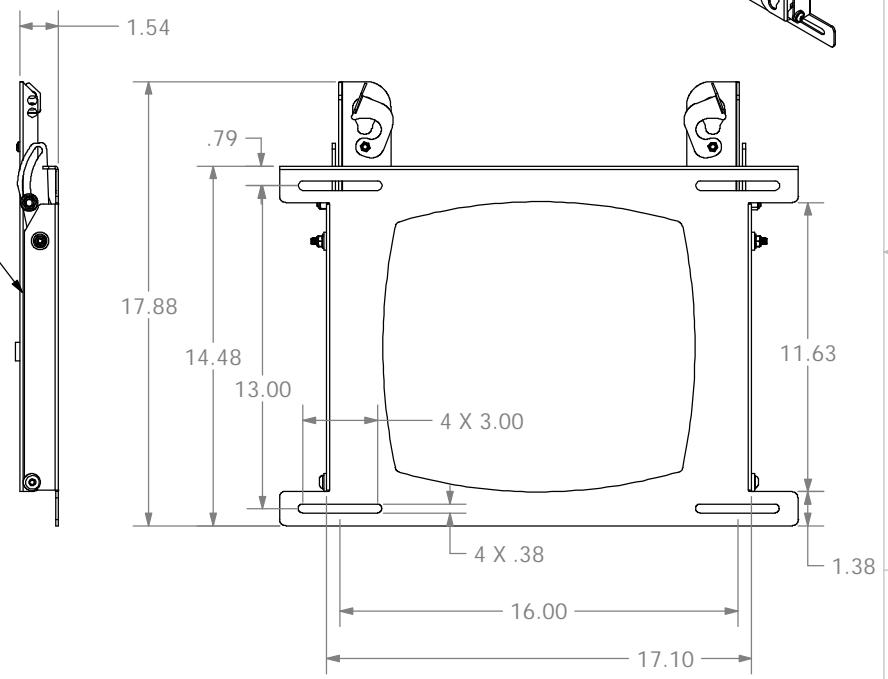


TOP MOUNTING BUTTON ON PSB-XXXX DRAWING GOES HERE



FACE TILTS 15° DOWN

APPROXIMATE CENTER OF DISPLAY



CHIEF MANUFACTURING INC.  
MOUNT ORDER NUMBER IS MSP-DEL1  
PHONE: 1-800-582-6480

SHEET SCALE = 1:5

THE INFORMATION AND DESIGNS CONTAINED IN THIS DRAWING ARE CONFIDENTIAL AND THE PROPRIETARY PROPERTY OF CHIEF MFG., INC. NEITHER THIS DESIGN NOR ANY INFORMATION CONTAINED IN THIS DRAWING MAY BE REPRODUCED OR DISCLOSED TO OTHERS WITHOUT THE EXPRESS WRITTEN CONSENT OF CHIEF MFG., INC.

**CHIEF** MANUFACTURING, INC.  
8401 EAGLE CREEK PKWY STE. 700, SAVAGE, MN 55378  
1-800-582-6480 • FAX 1-877-894-6918

TITLE  
**CUSTOMER PRINT  
MSP-DEL1**

SIZE DWG. NO.  
B MSP-DEL1

1 2 3 4 5 6 7 8

A