

D

C

B

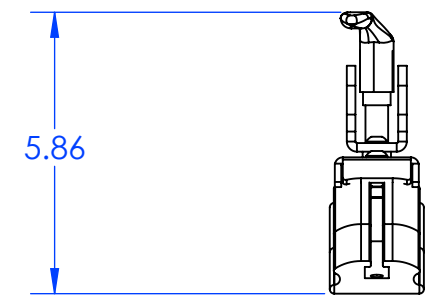
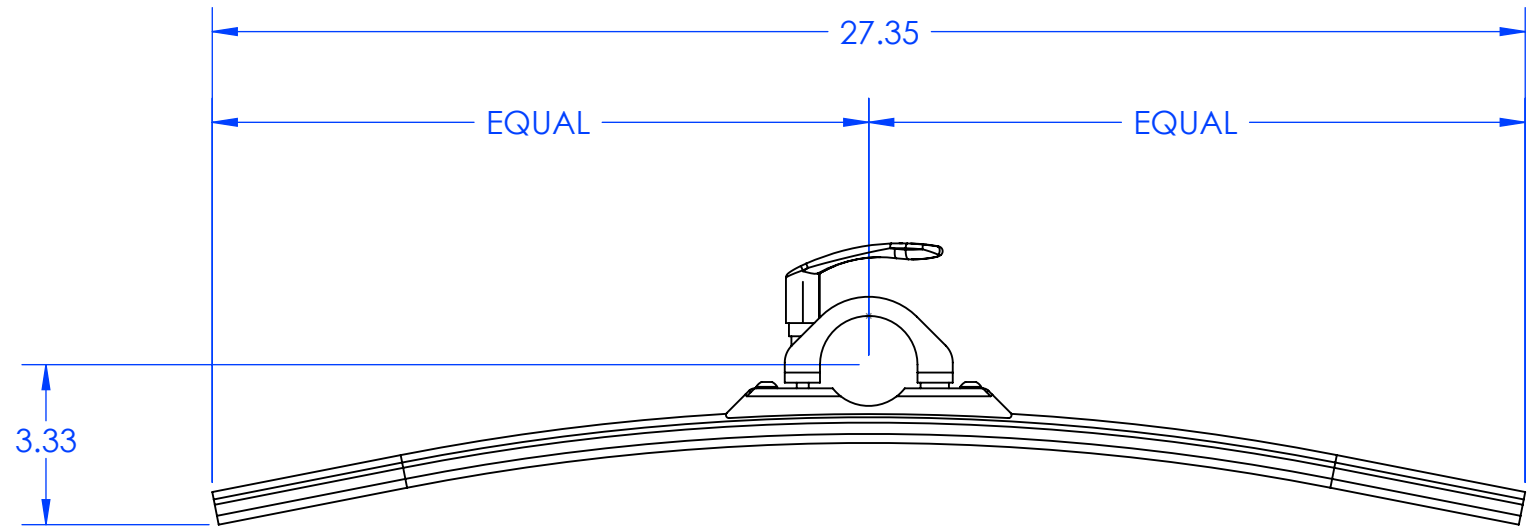
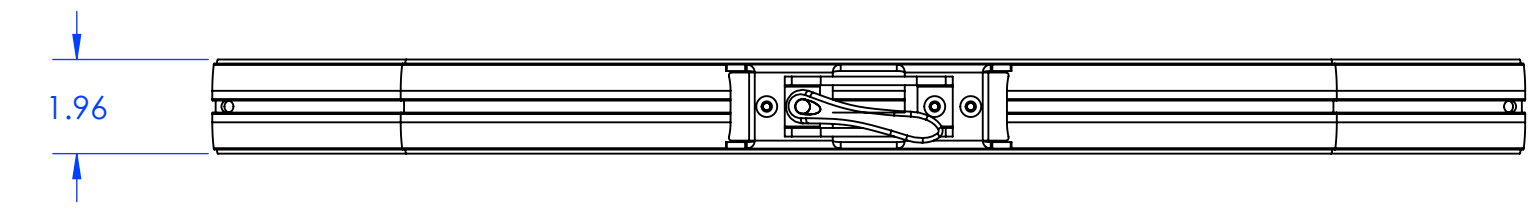
A

D

C

B

A



THE INFORMATION AND DESIGNS CONTAINED IN THIS DRAWING ARE CONFIDENTIAL AND THE PROPRIETARY PROPERTY OF CHIEF MFG., INC. NEITHER THIS DESIGN NOR ANY INFORMATION CONTAINED IN THIS DRAWING MAY BE REPRODUCED OR DISCLOSED TO OTHERS WITHOUT THE EXPRESS WRITTEN CONSENT OF CHIEF MFG., INC.

CAD GENERATED DRAWING. DO NOT MANUALLY UPDATE	
DATE	08/14/07
DESIGNER	PJO
DETAILER	PJO
RESP ENG	PJO
SHEET 2 OF 6	

	8401 EAGLE CREEK PKY SAVAGE, MN 55378 PHONE: 952-894-6280 FAX: 877-894-6918
	TITLE MSP-DT27 TECH
SIZE B	DWG. NO.
REV. 00	

1 2 3 4 5 6 7 8

1 2 3 4 5 6 7 8