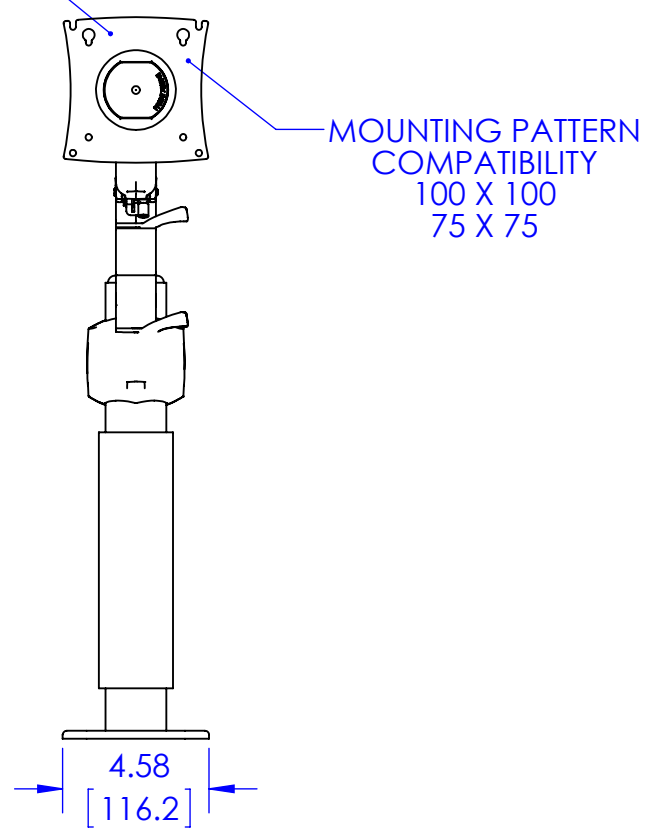


INTERFACE ROTATION RANGE
 $\pm 90^\circ$



THE INFORMATION AND DESIGNS CONTAINED IN THIS DRAWING ARE CONFIDENTIAL AND THE PROPRIETARY PROPERTY OF MILESTONE AV TECHNOLOGIES NEITHER THIS DESIGN NOR ANY INFORMATION CONTAINED IN THIS DRAWING MAY BE REPRODUCED OR DISCLOSED TO OTHERS WITHOUT THE EXPRESS WRITTEN CONSENT OF MILESTONE AV TECHNOLOGIES.

CAD GENERATED DRAWING, DO NOT MANUALLY UPDATE.			CHIEF		6436 CITY WEST PKWY EDEN PRAIRIE MN, 55344 PHONE: 866-977-3901 FAX: 877-894-6918	
DRAWN BY	PLL	2/11/2015	DESCRIPTION MSP-EVO1P1B			
ENG APPROVAL			MODEL NO. MSP-EVO1P1B			
MFG APPROVAL			SIZE DWG. NO. B TECH-000665			
QA APPROVAL			REV. 00			
SHEET 1 OF 1			SCALE 1:1			