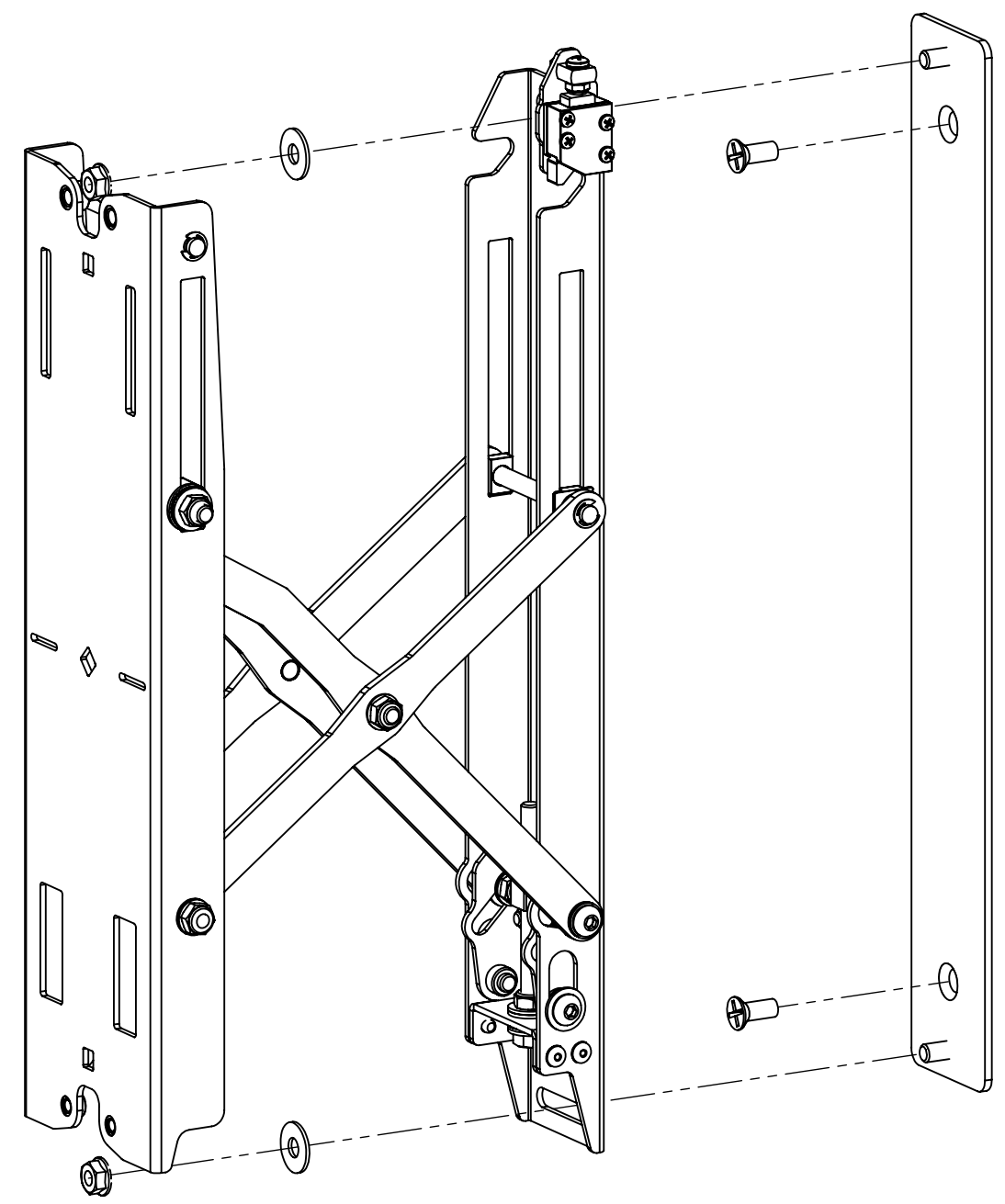


TWO BRACKETS INCLUDED IN KIT



SHOWN WITH FCAV1U ASSEMBLY
SOLD SEPARATELY

THE INFORMATION AND DESIGNS CONTAINED IN THIS DRAWING ARE CONFIDENTIAL AND THE PROPRIETARY PROPERTY OF MILESTONE AV TECHNOLOGIES NEITHER THIS DESIGN NOR ANY INFORMATION CONTAINED IN THIS DRAWING MAY BE REPRODUCED OR DISCLOSED TO OTHERS WITHOUT THE EXPRESS WRITTEN CONSENT OF MILESTONE AV TECHNOLOGIES.

CAD GENERATED DRAWING, DO NOT MANUALLY UPDATE.				6436 CITY WEST PKWY EDEN PRAIRIE MN, 55344 PHONE: 866-977-3901 FAX: 877-894-6918	
DRAWN BY	JAB	11/9/2016		DESCRIPTION MSP-FCAV1U TECH DRAWING FCAV1U/LSMVU ADAPTER	
ENG APPROVAL			MODEL NO. MSP-FCAV1		
MFG APPROVAL			SIZE DWG. NO. REV. B TECH-000824 00		
QA APPROVAL			SHEET 1 OF 1 SCALE 1:3		