

D

C

B

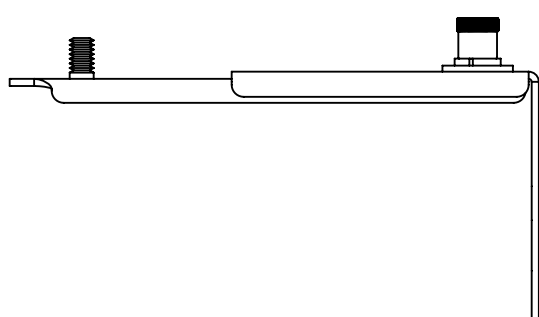
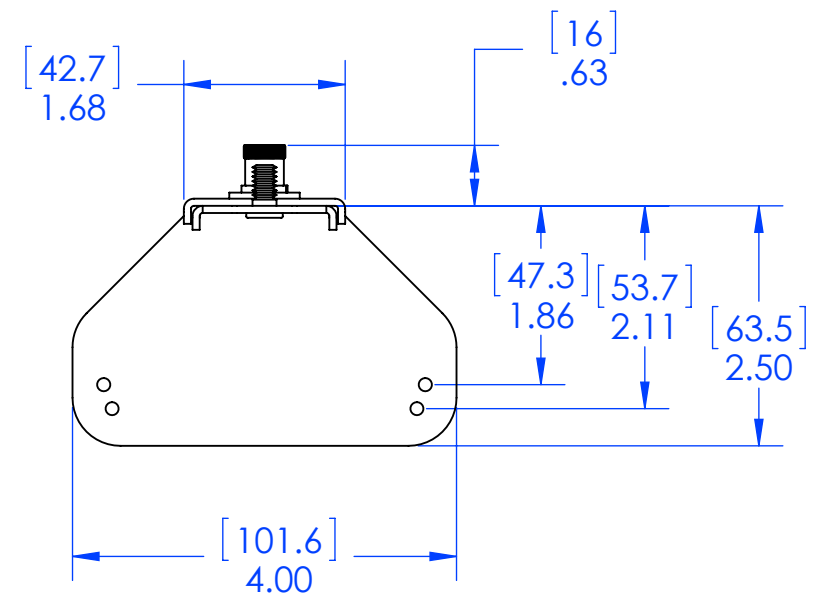
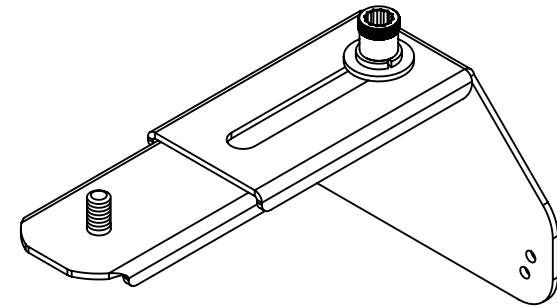
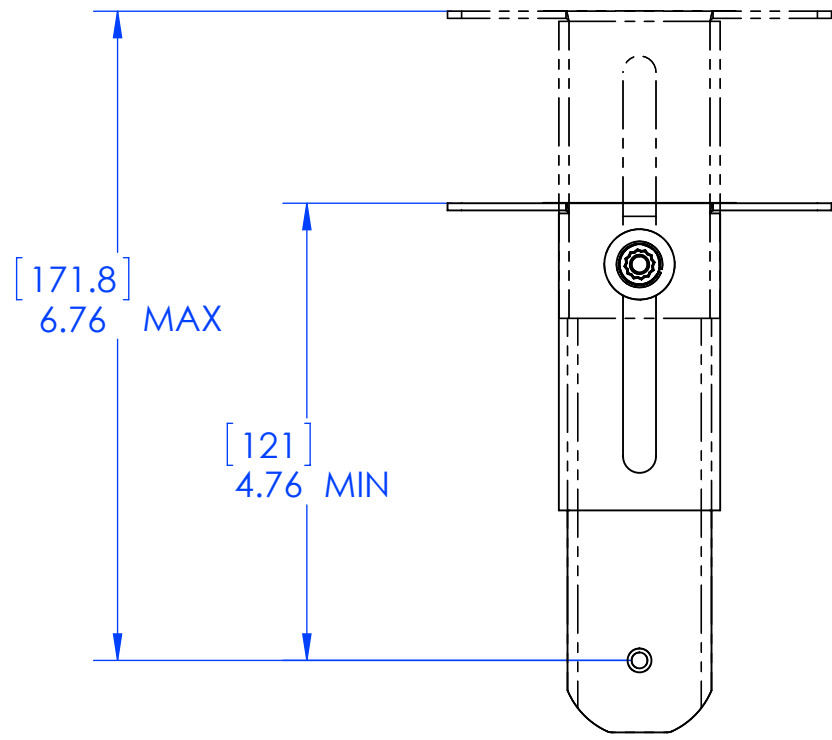
A

D

C

B

A



CHIEF MANUFACTURING INC.
MOUNT ORDER NUMBER IS MSP-IFLITESHW
PHONE: 1-800-582-6480

WEIGHT CAPACITY: 2 LBS
SHEET SCALE = 1:2

**THE INFORMATION AND DESIGNS CONTAINED
 IN THIS DRAWING ARE CONFIDENTIAL AND THE
 PROPRIETARY PROPERTY OF CHIEF MFG., INC.
 NEITHER THIS DESIGN NOR ANY INFORMATION
 CONTAINED IN THIS DRAWING MAY BE
 REPRODUCED OR DISCLOSED TO OTHERS
 WITHOUT THE EXPRESS WRITTEN CONSENT OF
 CHIEF MFG., INC.**



8401 EAGLE CREEK PKY
 SUITE #700
 SAVAGE, MN 55378
 PHONE: 952-894-6280
 FAX: 877-894-6918

TITLE
CUSTOMER PRINT
MSP-IFLITESHW

SIZE DWG. NO.
B MSP-IFLITESHW

REV.
00