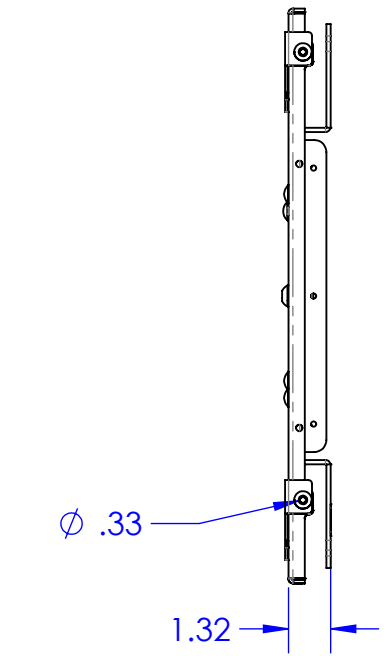
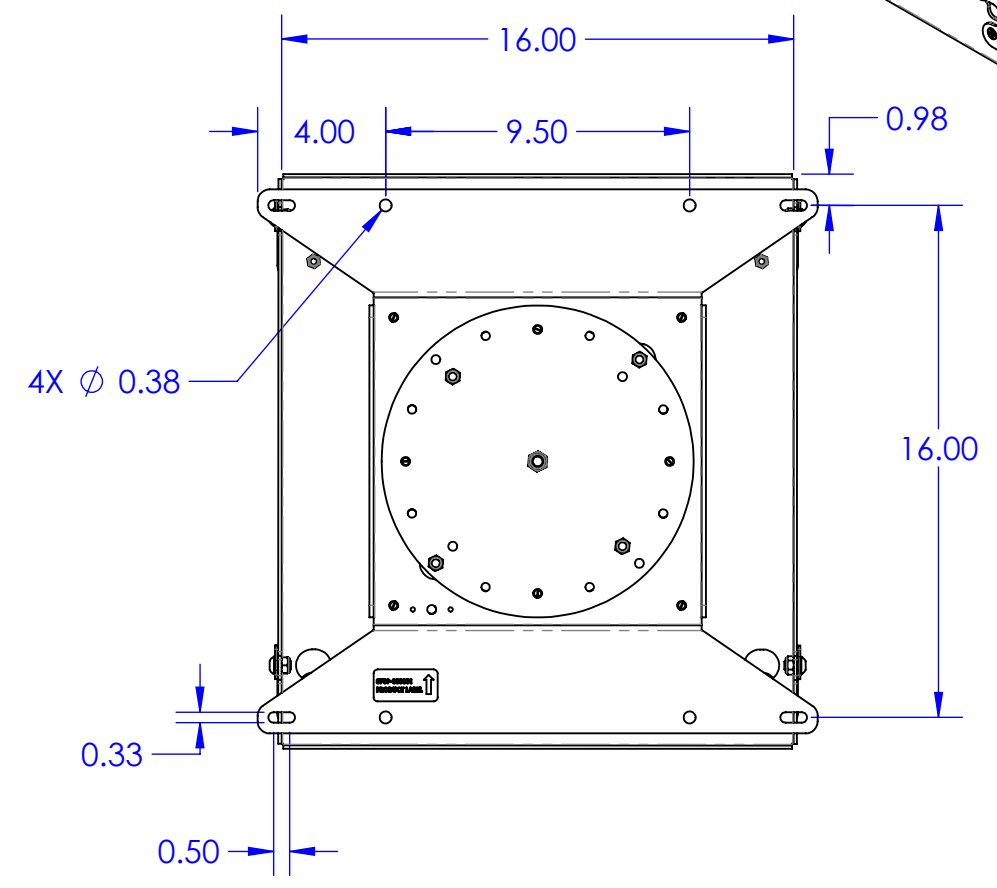
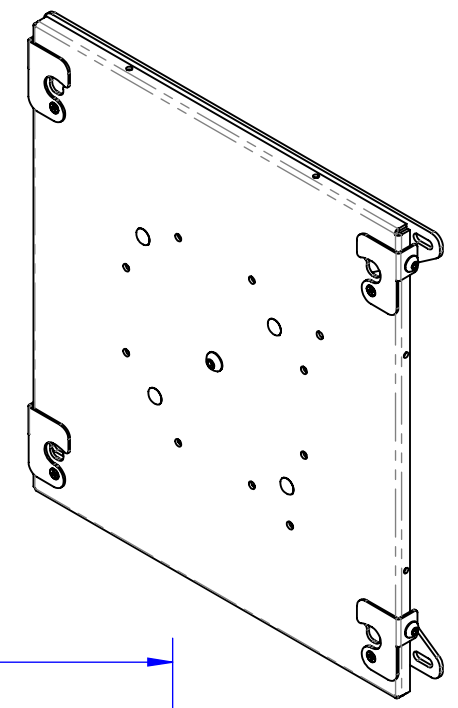


94° TOTAL ROTATION



APPROXIMATE CENTER OF DISPLAY



THE INFORMATION AND DESIGNS CONTAINED IN THIS DRAWING ARE CONFIDENTIAL AND THE PROPRIETARY PROPERTY OF MILESTONE AV TECHNOLOGIES NEITHER THIS DESIGN NOR ANY INFORMATION CONTAINED IN THIS DRAWING MAY BE REPRODUCED OR DISCLOSED TO OTHERS WITHOUT THE EXPRESS WRITTEN CONSENT OF MILESTONE AV TECHNOLOGIES.

CAD GENERATED DRAWING, DO NOT MANUALLY UPDATE.		<p>6436 CITY WEST PKWY EDEN PRAIRIE MN, 55344 PHONE: 866-977-3901 FAX: 877-894-6918</p>
DRAWN BY	JS 2/19/2016	
ENG APPROVAL		DESCRIPTION
MFG APPROVAL		MSP-JELPSW3 TECH DRAWING
QA APPROVAL		MODEL NO.
		MSP-JELPSW3
SHEET 1 OF 1	SCALE 1:6	SIZE B
		DWG. NO. TECH-000753
		REV. 00