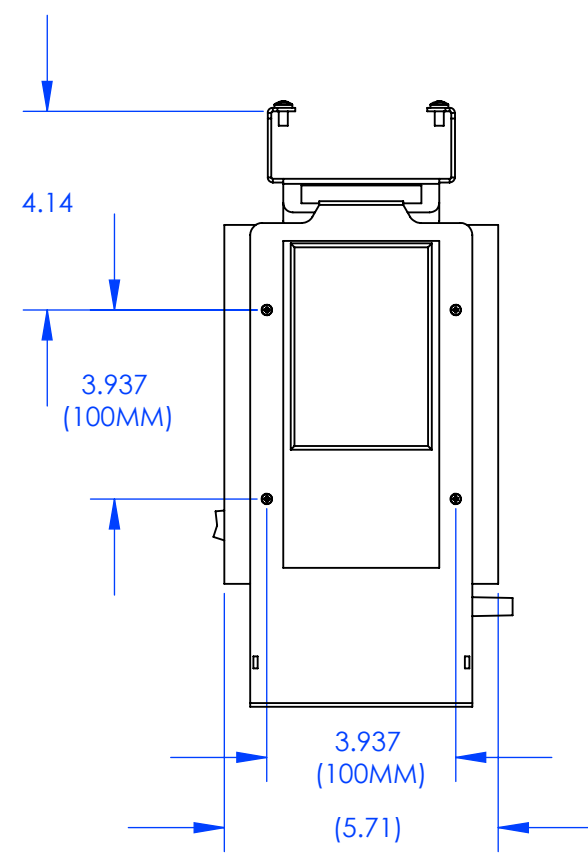
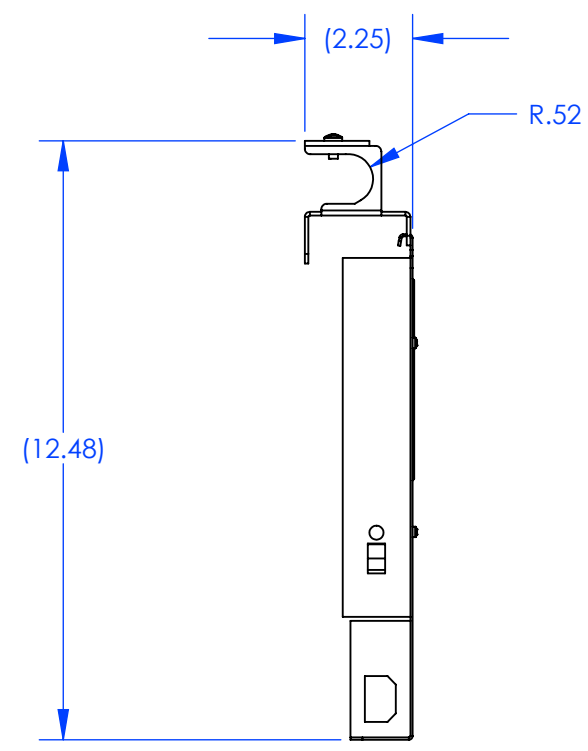
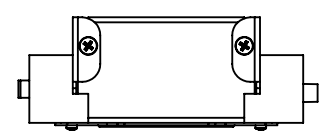
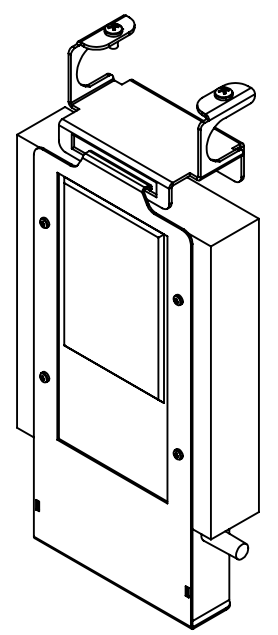


1 2 3 4 5 6 7 8

D
C
B
A

XXXX-XXXX-XXXX
D
C
B
A



CHIEF MANUFACTURING INC.
MOUNT ORDER NUMBER IS MSP-MC1
PHONE: 1-800-582-6480

THE INFORMATION AND DESIGNS CONTAINED IN THIS DRAWING ARE CONFIDENTIAL AND THE PROPRIETARY PROPERTY OF CHIEF MFG., INC. NEITHER THIS DESIGN NOR ANY INFORMATION CONTAINED IN THIS DRAWING MAY BE REPRODUCED OR DISCLOSED TO OTHERS WITHOUT THE EXPRESS WRITTEN CONSENT OF CHIEF MFG., INC.

CHIEF 8401 EAGLE CREEK PKY
SAVAGE, MN 55378
PHONE: 952-894-6280
FAX: 877-894-6918

TITLE
MSP-MC1

B SHEET 1 OF 1

1 2 3 4 5 6 7 8