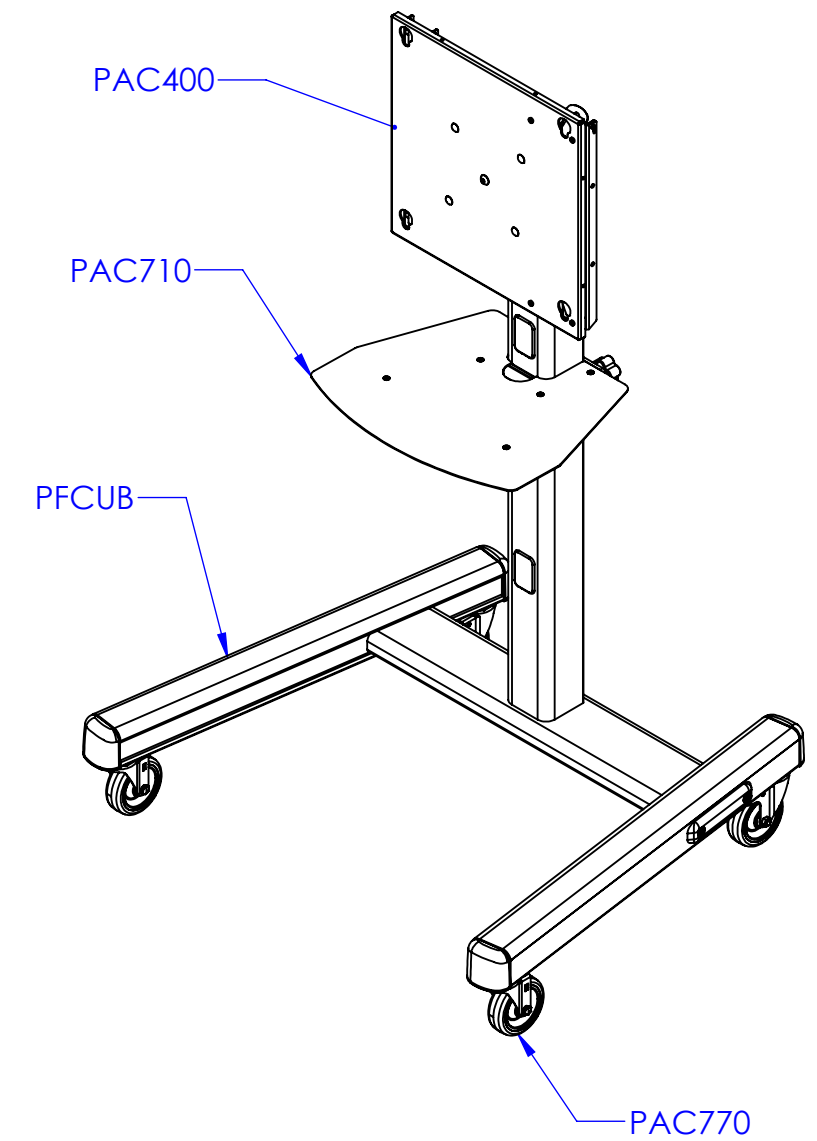
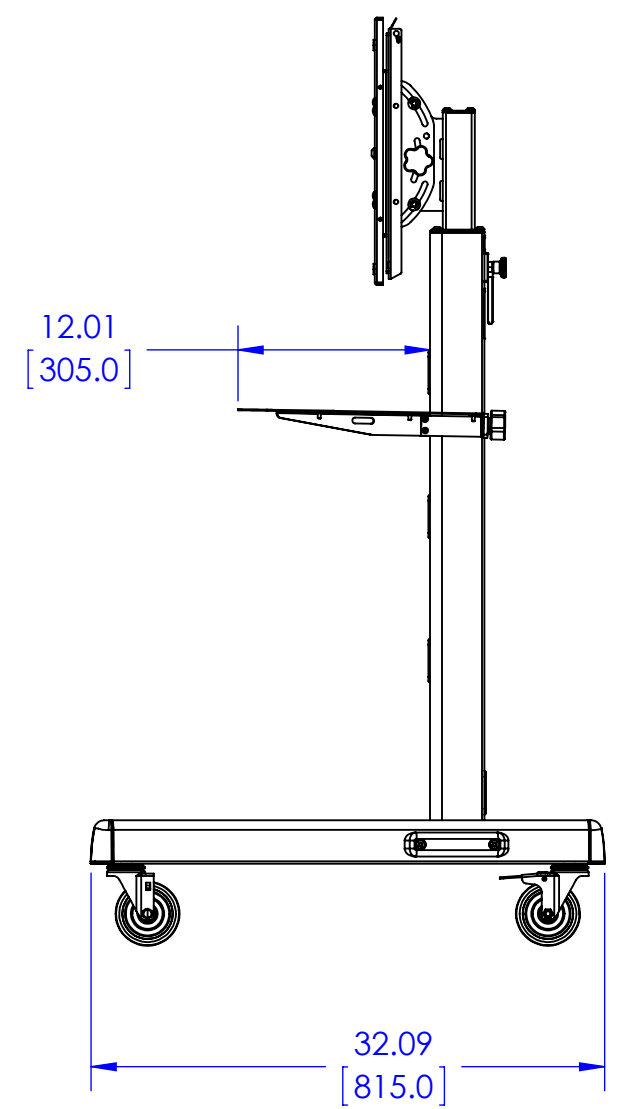
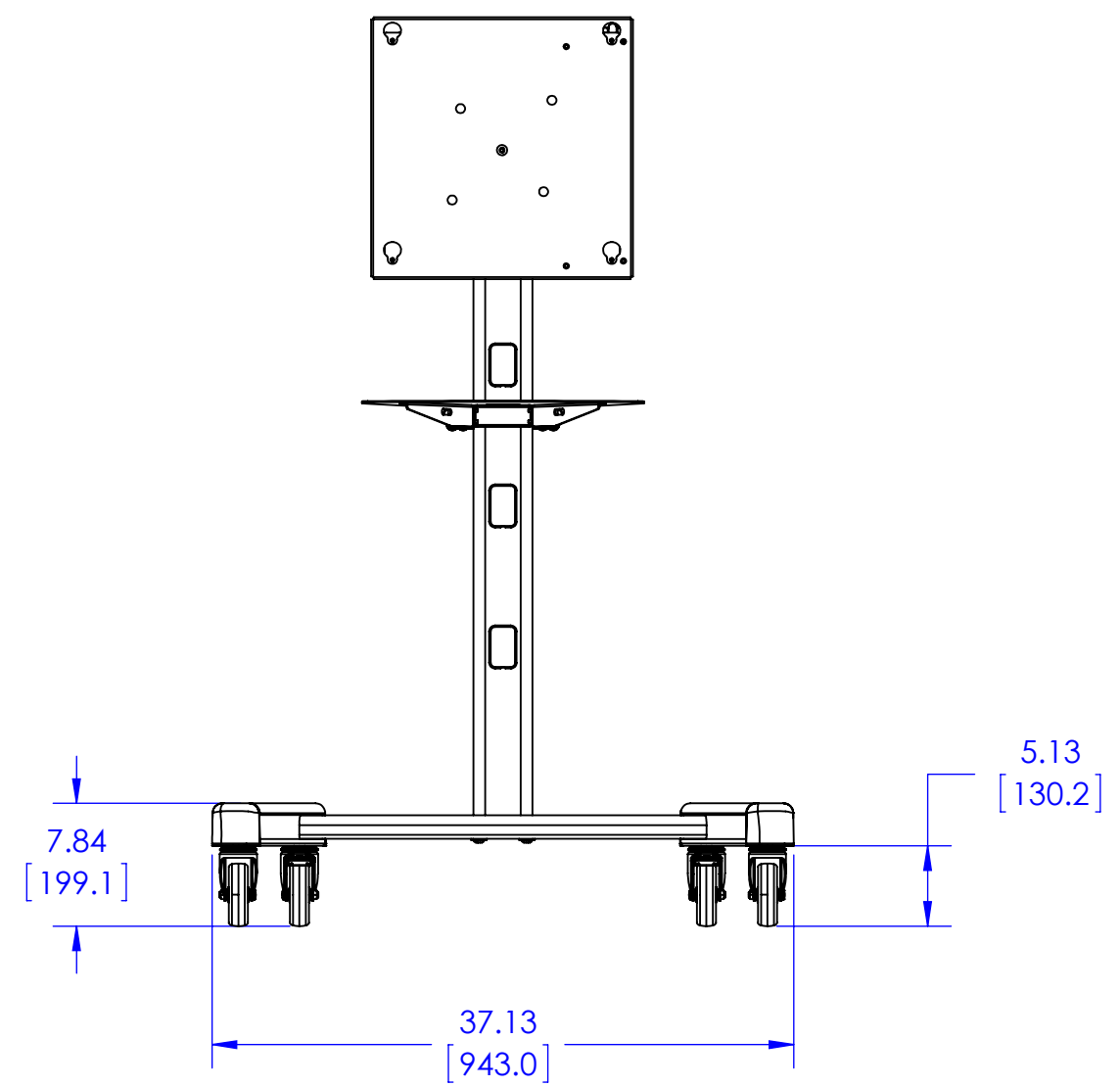


D
C
B
A

D
C
B
A



THE INFORMATION AND DESIGNS CONTAINED IN THIS DRAWING ARE CONFIDENTIAL AND THE PROPRIETARY PROPERTY OF MILESTONE AV TECHNOLOGIES NEITHER THIS DESIGN NOR ANY INFORMATION CONTAINED IN THIS DRAWING MAY BE REPRODUCED OR DISCLOSED TO OTHERS WITHOUT THE EXPRESS WRITTEN CONSENT OF MILESTONE AV TECHNOLOGIES.

CAD GENERATED DRAWING, DO NOT MANUALLY UPDATE.				6436 CITY WEST PKWY EDEN PRAIRIE MN, 55344 PHONE: 866-977-3901 FAX: 877-894-6918	
DRAWN BY	TLC	7/10/2012	DESCRIPTION KIT, PFCUB, PAC400, PAC710, PAC770		
ENG APPROVAL		07/10/2012	MODEL NO. MSP-PSAVPFC1		
MFG APPROVAL			SIZE DWG. NO. B TECH-000078		
QA APPROVAL			SHEET 1 OF 1		REV. 00