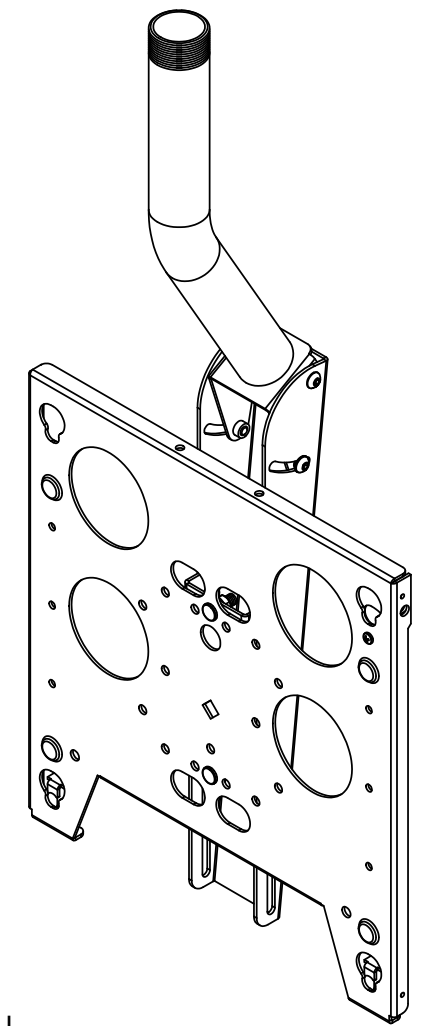
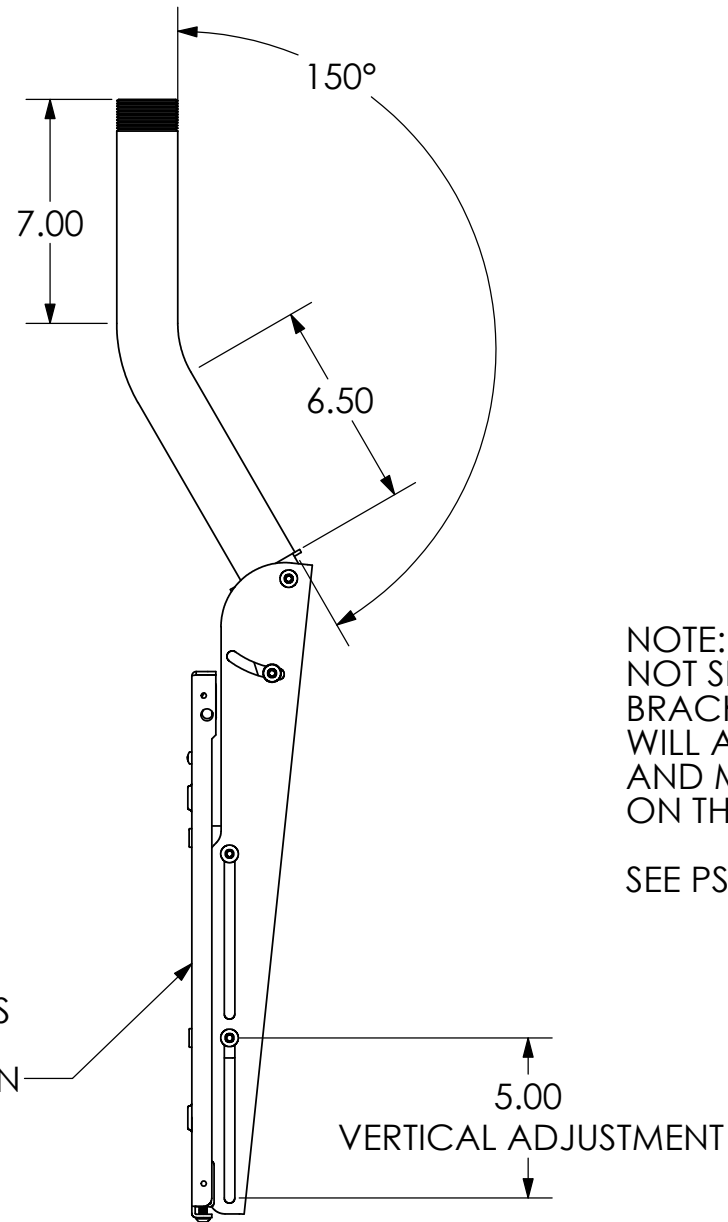


APPROXIMATE  
CENTER OF DISPLAY



NOTE: CUSTOM INTERAFCE BRACKET  
NOT SHOWN. THE CUSTOM INTERFACE  
BRACKET NEEDED FOR YOUR DISPLAY  
WILL ADD BETWEEN 1/2" AND 2" IN DEPTH  
AND MAY AFFECT LOCATION OF DISPLAY  
ON THE MOUNT.

SEE PSB-XXXX DRAWING ALSO.



**CHIEF MANUFACTURING INC.**  
MOUNT ORDER NUMBER IS MSP-SPCM  
PHONE: 1-800-582-6480

SHEET SCALE = 1:6

THE INFORMATION AND DESIGNS CONTAINED  
IN THIS DRAWING ARE CONFIDENTIAL AND THE  
PROPRIETARY PROPERTY OF CHIEF MFG., INC.  
NEITHER THIS DESIGN NOR ANY INFORMATION  
CONTAINED IN THIS DRAWING MAY BE  
REPRODUCED OR DISCLOSED TO OTHERS  
WITHOUT THE EXPRESS WRITTEN CONSENT OF  
CHIEF MFG., INC.

**CHIEF** MANUFACTURING, INC.  
8401 EAGLE CREEK PKWY STE. 700, SAVAGE, MN 55378  
1.800.582.6480 \* FAX 1.877.894.6918

TITLE  
**CUSTOMER PRINT  
MSP-SPCM**

SIZE B DWG. NO. **MSP-SPCM**

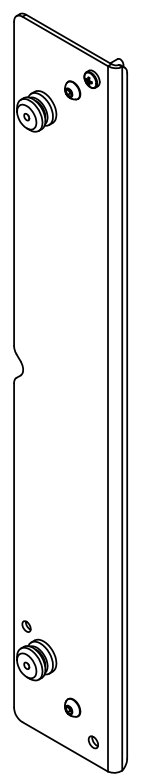
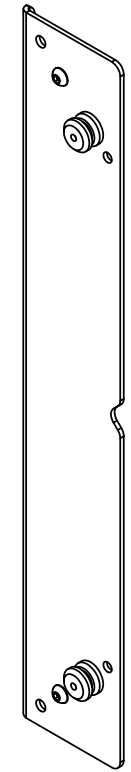
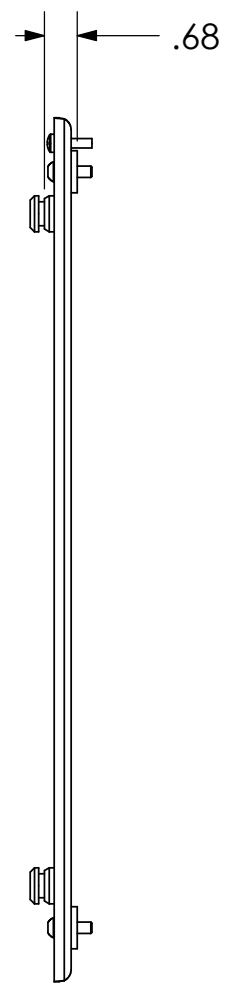
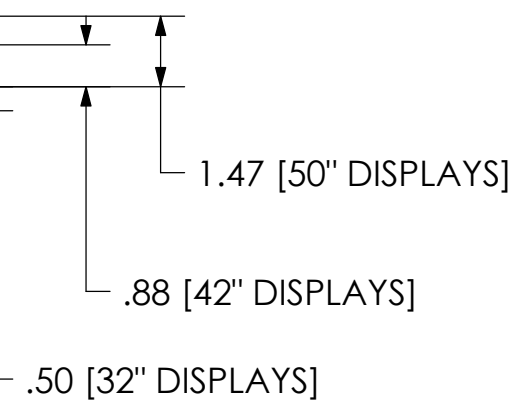
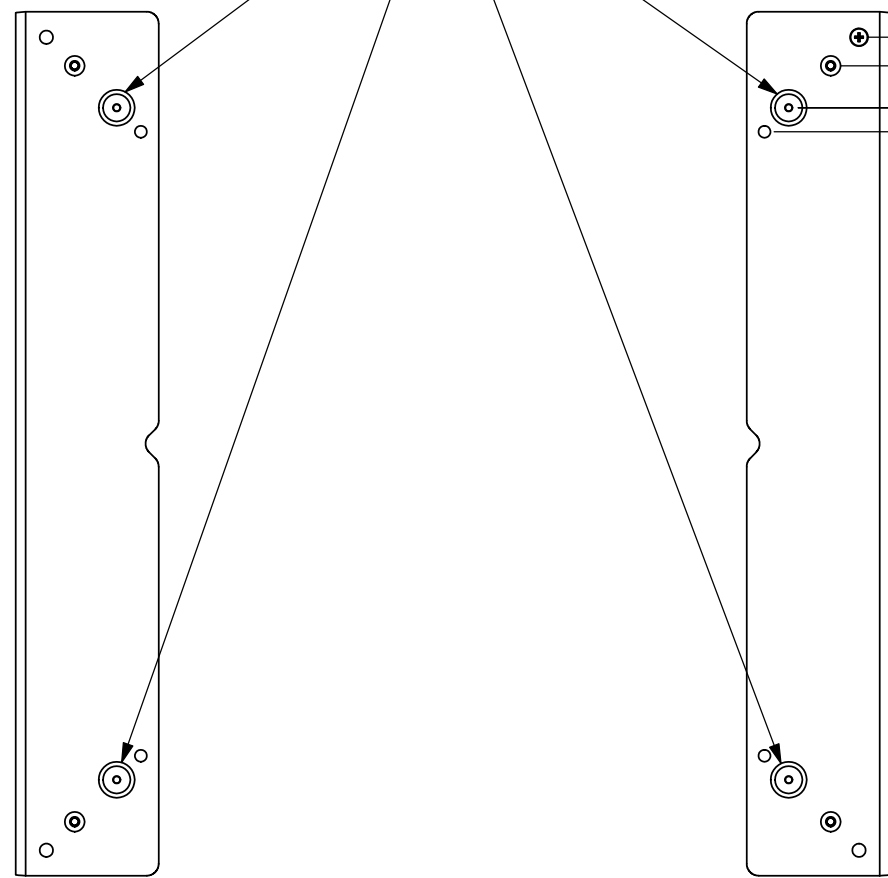
1 2 3 4 5 6 7 8

PSB2095

D  
C  
B  
A

D  
C  
B  
A

MOUNTING BUTTONS FIT INTO  
TEARDROP SLOTS ON MOUNT



**CHIEF MANUFACTURING INC.**  
**MOUNT ORDER NUMBER IS PSB2095**  
**PHONE: 1-800-582-6480**

SHEET SCALE = 1:4

THE INFORMATION AND DESIGNS CONTAINED  
 IN THIS DRAWING ARE CONFIDENTIAL AND THE  
 PROPRIETARY PROPERTY OF CHIEF MFG., INC.  
 NEITHER THIS DESIGN NOR ANY INFORMATION  
 CONTAINED IN THIS DRAWING MAY BE  
 REPRODUCED OR DISCLOSED TO OTHERS  
 WITHOUT THE EXPRESS WRITTEN CONSENT OF  
 CHIEF MFG., INC.

 <b>CHIEF</b> MANUFACTURING, INC. <small>8401 EAGLE CREEK PKWY STE. 700, SAVAGE, MN 55378        1.800.582.6480 * FAX 1.877.894.6918</small>	
<small>TITLE</small> <b>CUSTOMER PRINT        PSB2095</b>	
<small>SIZE</small> <b>B</b>	<small>DWG. NO.</small> <b>PSB2095</b>

1 2 3 4 5 6 7 8