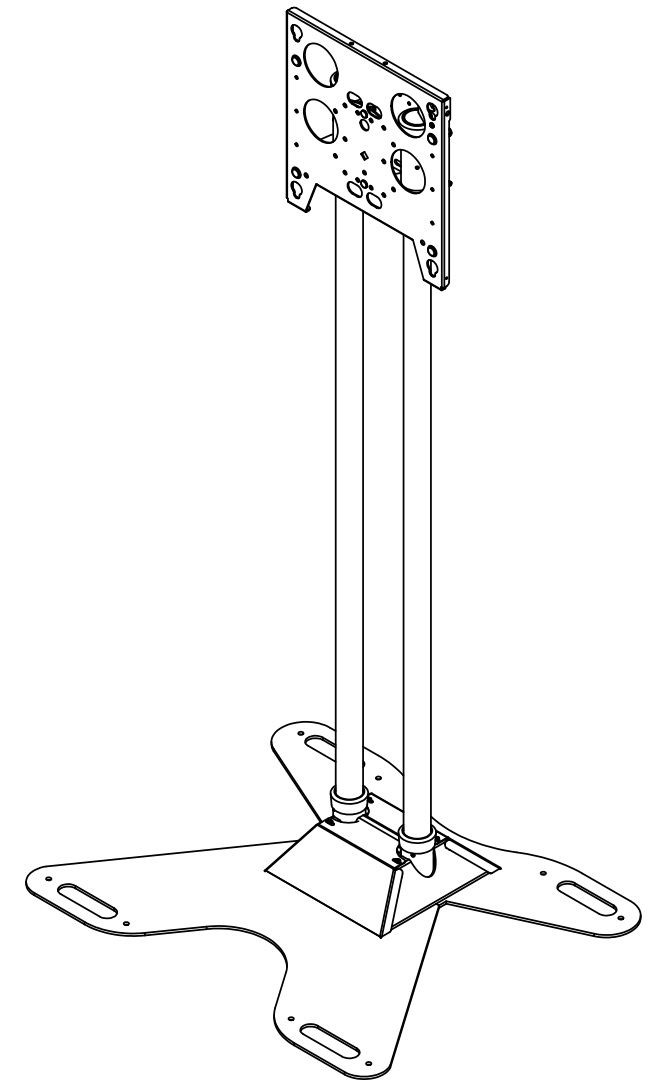
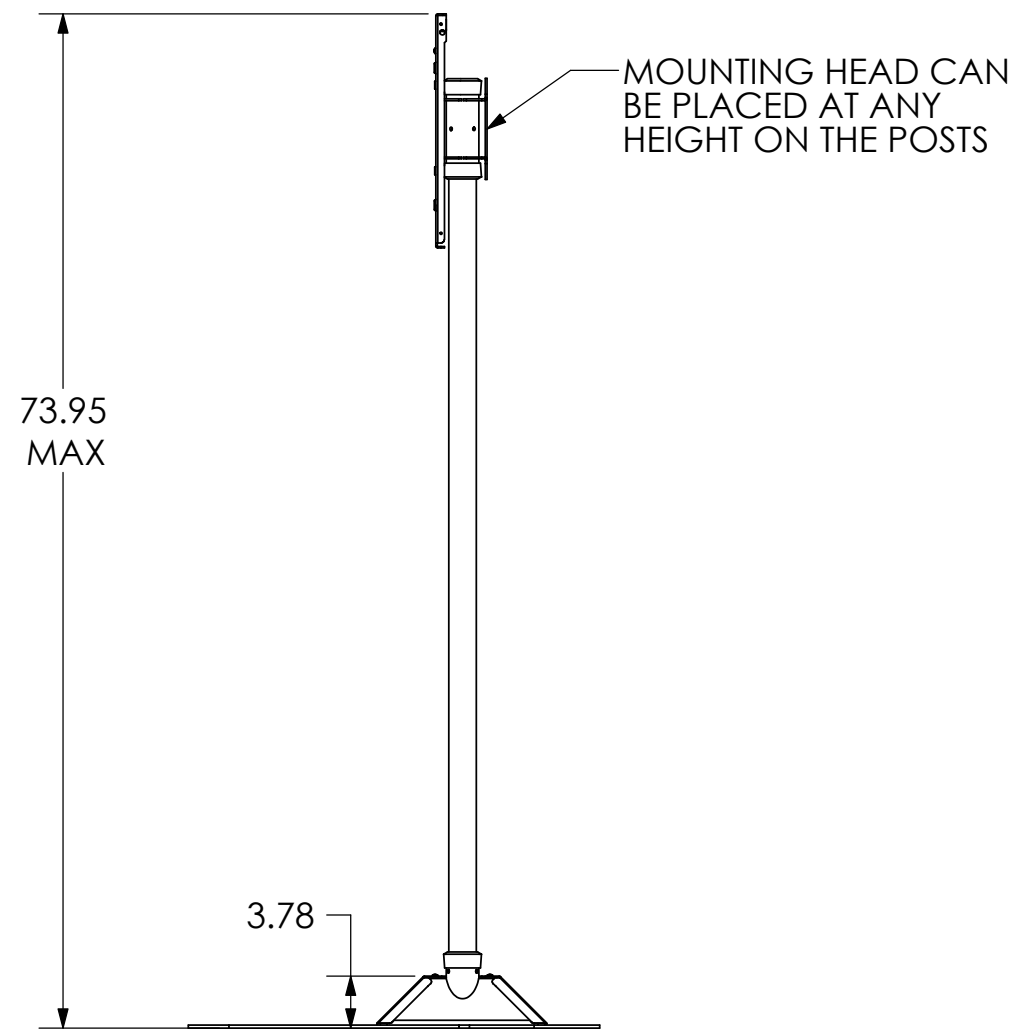
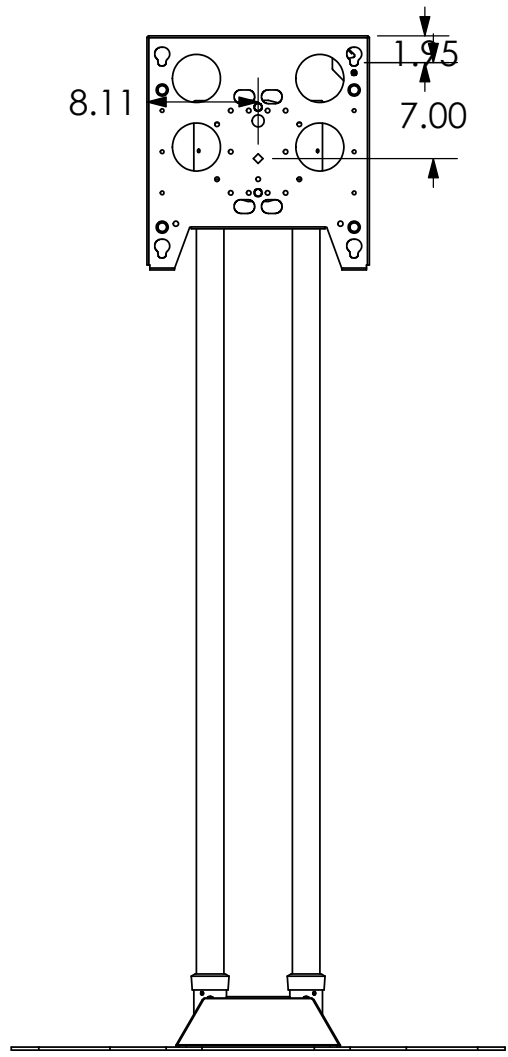


NOTE: CUSTOM INTERAFCE BRACKET NOT SHOWN. THE CUSTOM INTERFACE BRACKET NEEDED FOR YOUR DISPLAY WILL ADD BETWEEN 1/2" AND 2" IN DEPTH AND MAY AFFECT LOCATION OF DISPLAY ON THE MOUNT.

SEE PSB-XXXX DRAWING ALSO.



CHIEF MANUFACTURING INC.
MOUNT ORDER NUMBER IS MSP-SPFB69
PHONE: 1-800-582-6480

SHEET SCALE = 1:14

THE INFORMATION AND DESIGNS CONTAINED IN THIS DRAWING ARE CONFIDENTIAL AND THE PROPRIETARY PROPERTY OF CHIEF MFG., INC. NEITHER THIS DESIGN NOR ANY INFORMATION CONTAINED IN THIS DRAWING MAY BE REPRODUCED OR DISCLOSED TO OTHERS WITHOUT THE EXPRESS WRITTEN CONSENT OF CHIEF MFG., INC.

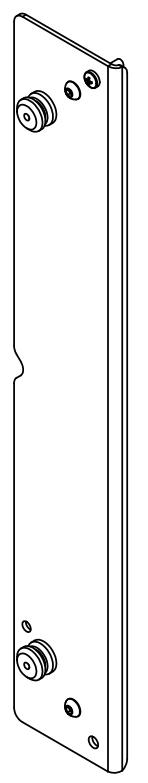
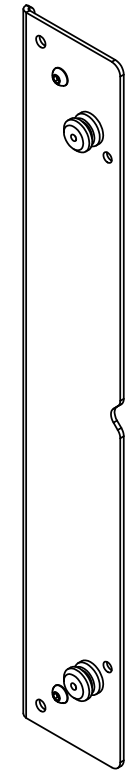
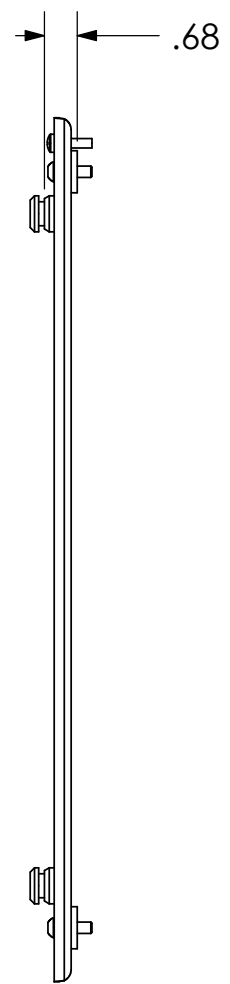
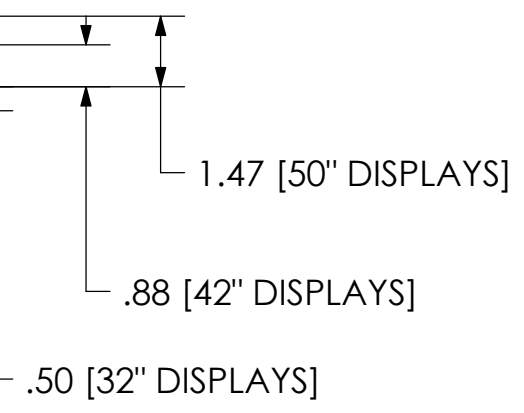
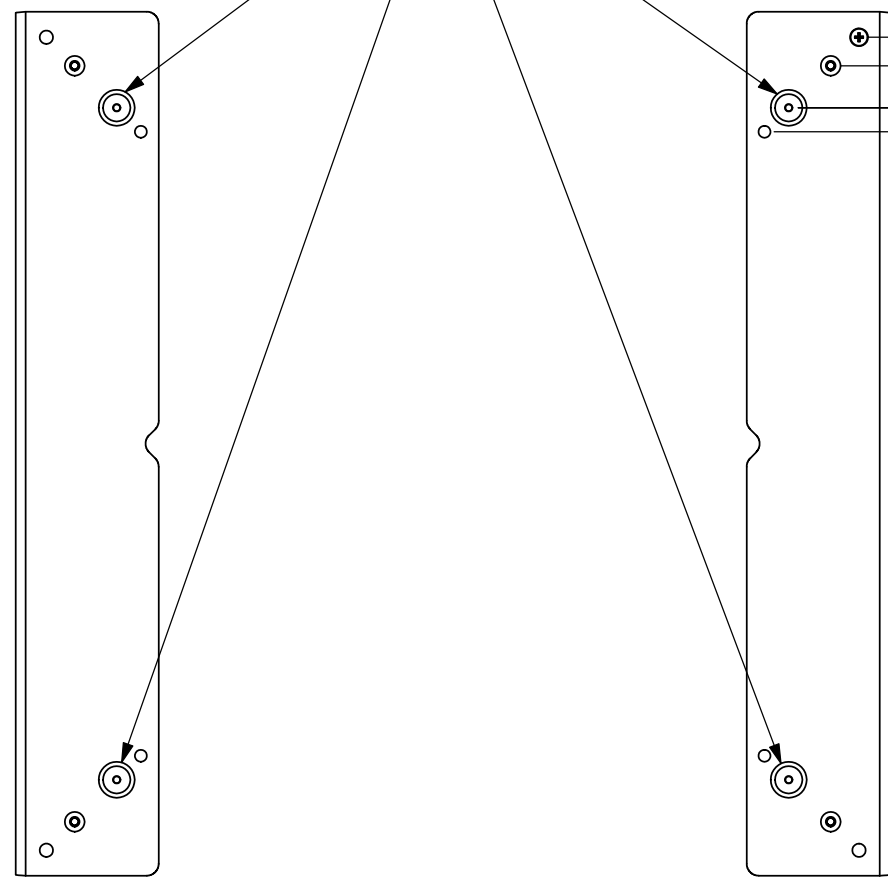
 CHIEF MANUFACTURING, INC. <small>8401 EAGLE CREEK PKWY STE. 700, SAVAGE, MN 55378 1.800.582.6480 * FAX 1.877.894.6918</small>	
<small>TITLE</small> CUSTOMER PRINT MSP-SPFB69	
<small>SIZE</small> B	<small>DWG. NO.</small> MSP-SPFB69

1 2 3 4 5 6 7 8

PSB2095

D
C
B
A

MOUNTING BUTTONS FIT INTO
TEARDROP SLOTS ON MOUNT



D
C
B
A



CHIEF MANUFACTURING INC.
MOUNT ORDER NUMBER IS PSB2095
PHONE: 1-800-582-6480

SHEET SCALE = 1:4

**THE INFORMATION AND DESIGNS CONTAINED
IN THIS DRAWING ARE CONFIDENTIAL AND THE
PROPRIETARY PROPERTY OF CHIEF MFG., INC.
NEITHER THIS DESIGN NOR ANY INFORMATION
CONTAINED IN THIS DRAWING MAY BE
REPRODUCED OR DISCLOSED TO OTHERS
WITHOUT THE EXPRESS WRITTEN CONSENT OF
CHIEF MFG., INC.**

CHIEF	CHIEF MANUFACTURING, INC. 8401 EAGLE CREEK PKWY STE. 700, SAVAGE, MN 55378 1.800.582.6480 * FAX 1.877.894.6918
	TITLE CUSTOMER PRINT PSB2095
SIZE B	DWG. NO. PSB2095

1 2 3 4 5 6 7 8