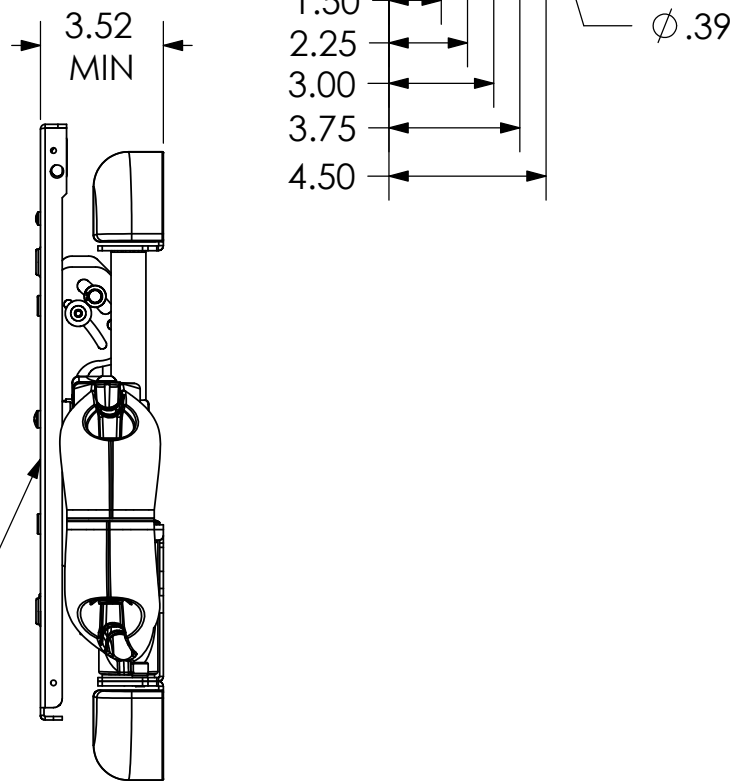
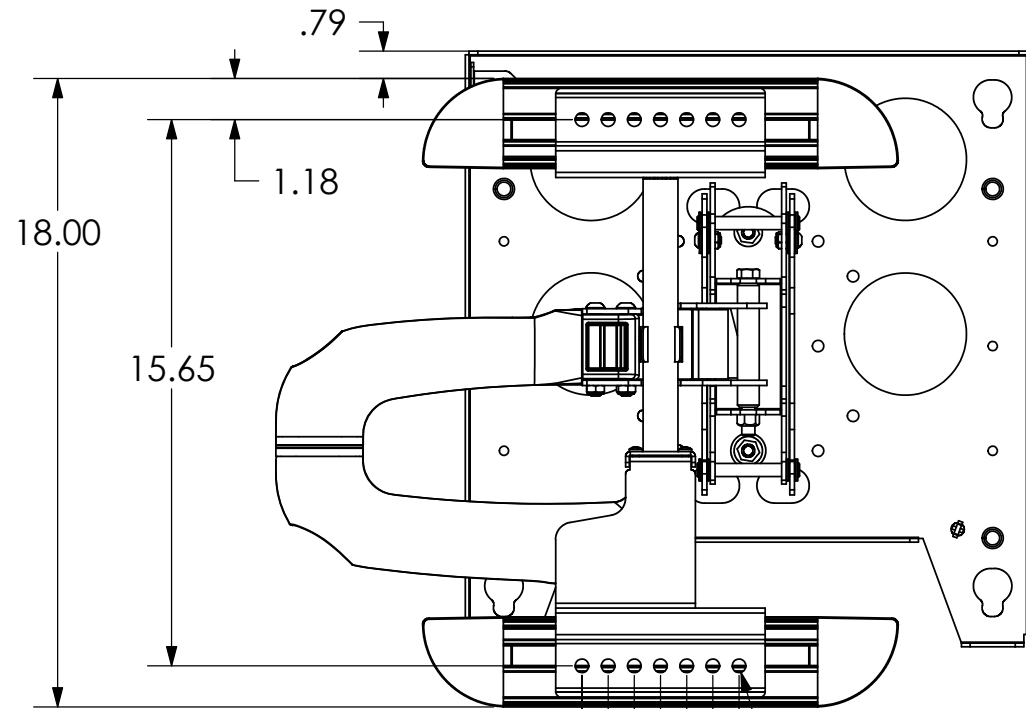
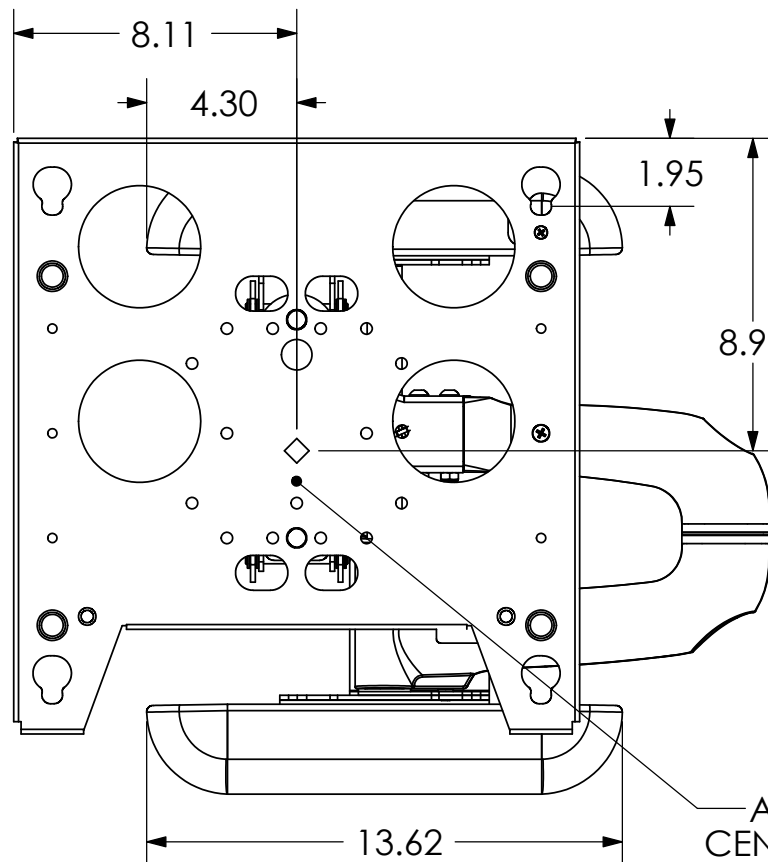
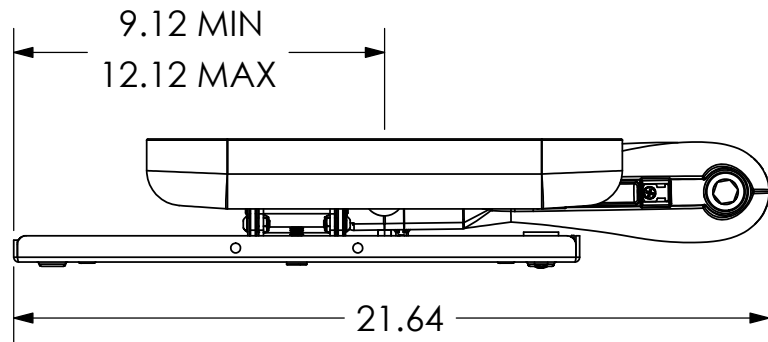
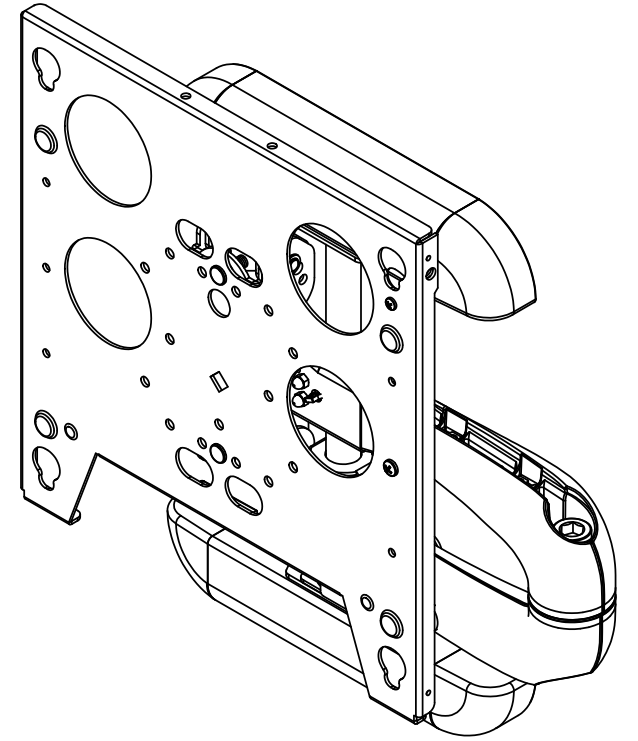
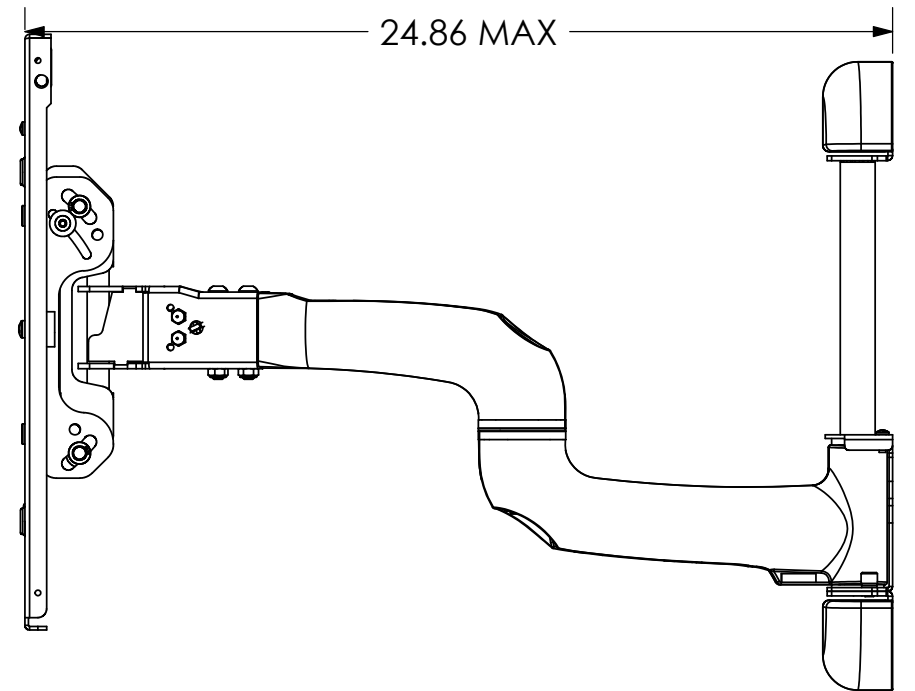


NOTE: CUSTOM INTERAFCE BRACKET NOT SHOWN. THE CUSTOM INTERFACE BRACKET NEEDED FOR YOUR DISPLAY WILL ADD BETWEEN 1/2" AND 2" IN DEPTH AND MAY AFFECT LOCATION OF DISPLAY ON THE MOUNT.

SEE PSB-XXXX DRAWING ALSO.



FACE TILTS  
5° UP  
15° DOWN



**CHIEF MANUFACTURING INC.**  
MOUNT ORDER NUMBER IS MSP-SPWH  
PHONE: 1-800-582-6480

THE INFORMATION AND DESIGNS CONTAINED IN THIS DRAWING ARE CONFIDENTIAL AND THE PROPRIETARY PROPERTY OF CHIEF MFG., INC. NEITHER THIS DESIGN NOR ANY INFORMATION CONTAINED IN THIS DRAWING MAY BE REPRODUCED OR DISCLOSED TO OTHERS WITHOUT THE EXPRESS WRITTEN CONSENT OF CHIEF MFG., INC.

**CHIEF** MANUFACTURING, INC.  
8401 EAGLE CREEK PKWY STE. 700, SAVAGE, MN 55378  
1.800.582.6480 \* FAX 1.877.894.6918

TITLE  
**CUSTOMER PRINT  
MSP-SPWH**

SIZE B DWG. NO. **MSP-SPWH**

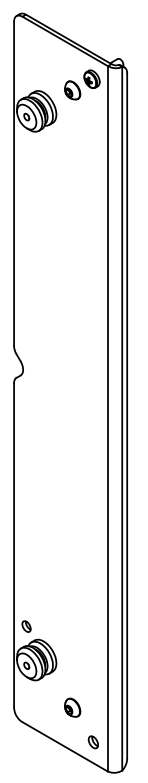
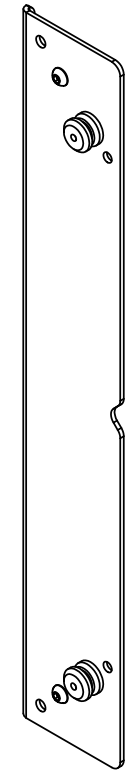
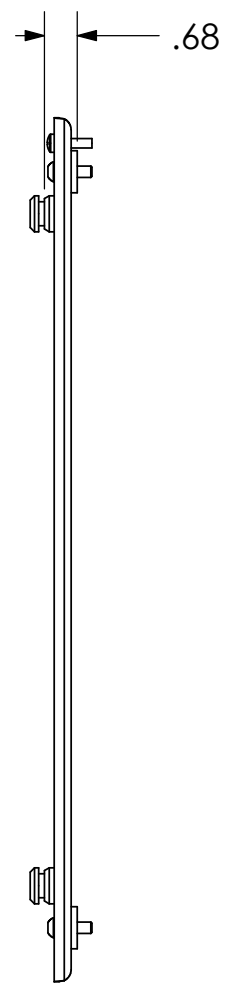
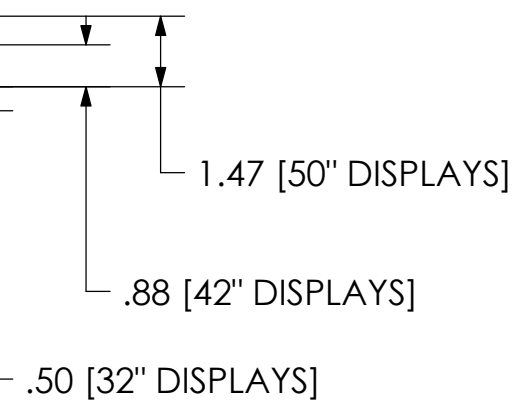
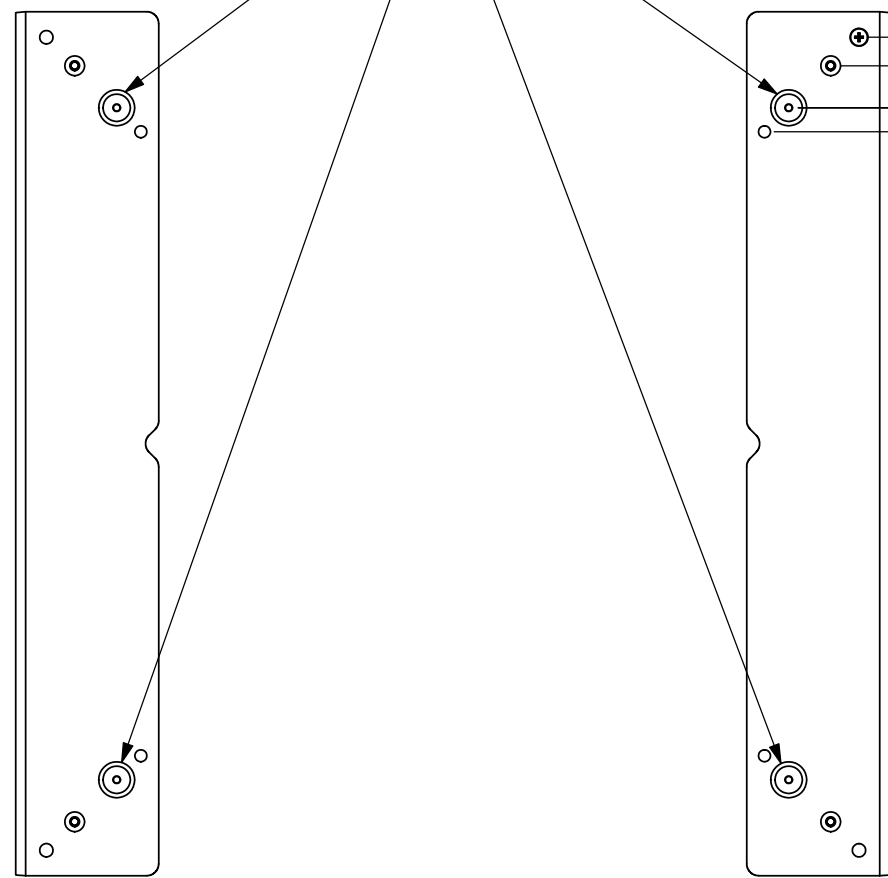
1 2 3 4 5 6 7 8

PSB2095

D  
C  
B  
A

D  
C  
B  
A

MOUNTING BUTTONS FIT INTO TEARDROP SLOTS ON MOUNT



**CHIEF MANUFACTURING INC.**  
**MOUNT ORDER NUMBER IS PSB2095**  
**PHONE: 1-800-582-6480**

SHEET SCALE = 1:4

THE INFORMATION AND DESIGNS CONTAINED IN THIS DRAWING ARE CONFIDENTIAL AND THE PROPRIETARY PROPERTY OF CHIEF MFG., INC. NEITHER THIS DESIGN NOR ANY INFORMATION CONTAINED IN THIS DRAWING MAY BE REPRODUCED OR DISCLOSED TO OTHERS WITHOUT THE EXPRESS WRITTEN CONSENT OF CHIEF MFG., INC.

 <b>CHIEF</b> MANUFACTURING, INC. <small>8401 EAGLE CREEK PKWY STE. 700, SAVAGE, MN 55378        1.800.582.6480 * FAX 1.877.894.6918</small>	
<small>TITLE</small> <b>CUSTOMER PRINT        PSB2095</b>	
<small>SIZE</small> <b>B</b>	<small>DWG. NO.</small> <b>PSB2095</b>

1 2 3 4 5 6 7 8