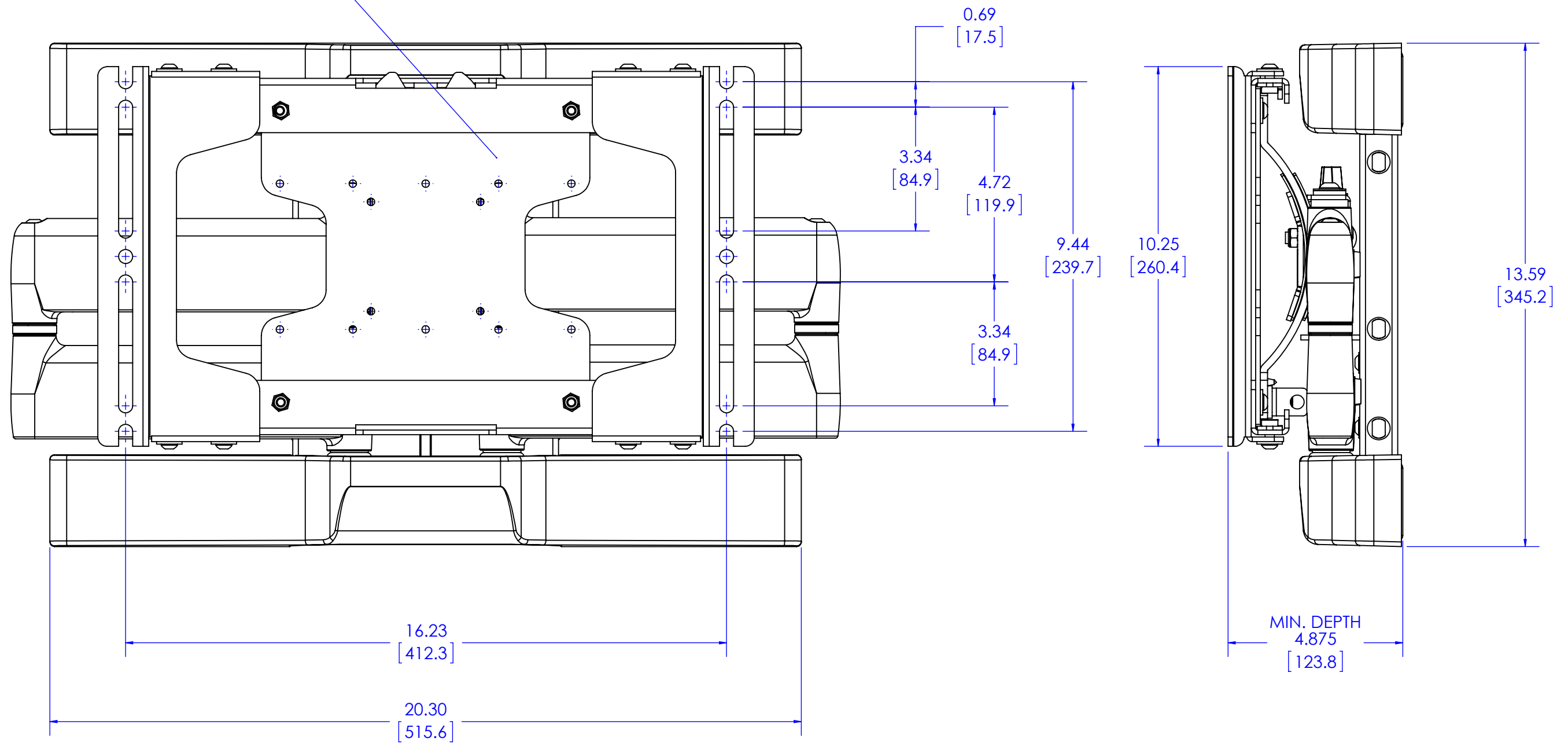
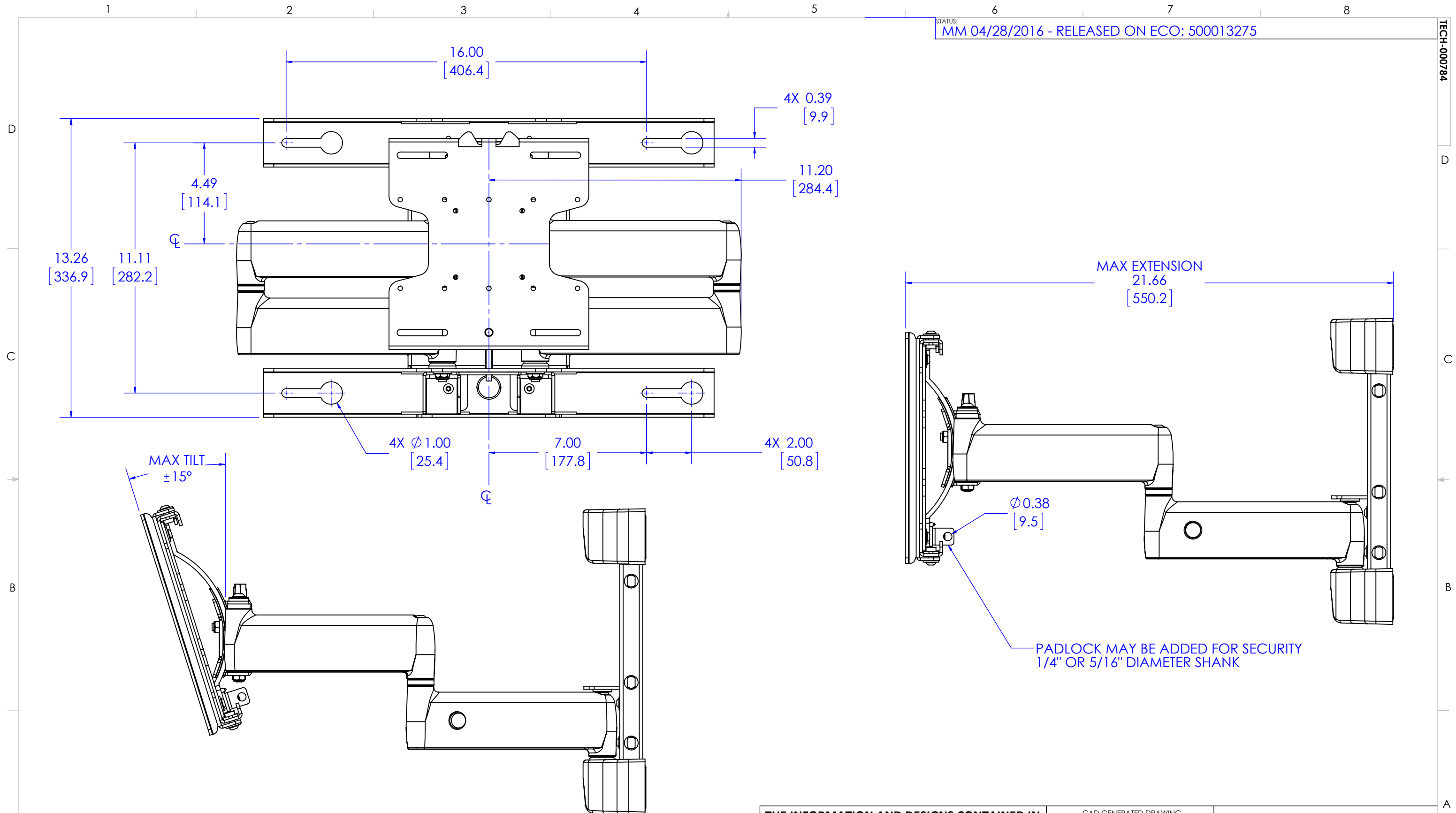


CENTER PLATE INCLUDES 75MM; 100MM & 200 X 100 MM MOUNTING PATTERNS



THE INFORMATION AND DESIGNS CONTAINED IN THIS DRAWING ARE CONFIDENTIAL AND THE PROPRIETARY PROPERTY OF MILESTONE AV TECHNOLOGIES NEITHER THIS DESIGN NOR ANY INFORMATION CONTAINED IN THIS DRAWING MAY BE REPRODUCED OR DISCLOSED TO OTHERS WITHOUT THE EXPRESS WRITTEN CONSENT OF MILESTONE AV TECHNOLOGIES.

CAD GENERATED DRAWING, DO NOT MANUALLY UPDATE.				6436 CITY WEST PKWY EDEN PRAIRIE MN, 55344 PHONE: 866-977-3901 FAX: 877-894-6918	
DRAWN BY	MM	4/20/2016		DESCRIPTION SUNBRIGHT LARGE SWING ARM, BLK	
ENG APPROVAL			MODEL NO. MSP-SUNAWF500B		
MFG APPROVAL			REV. 00		
QA APPROVAL			SCALE 1:3		
SHEET 1 OF 2		SIZE B	DWG. NO. TECH-000784		



THE INFORMATION AND DESIGNS CONTAINED IN THIS DRAWING ARE CONFIDENTIAL AND THE PROPRIETARY PROPERTY OF MILESTONE AV TECHNOLOGIES NEITHER THIS DESIGN NOR ANY INFORMATION CONTAINED IN THIS DRAWING MAY BE REPRODUCED OR DISCLOSED TO OTHERS WITHOUT THE EXPRESS WRITTEN CONSENT OF MILESTONE AV TECHNOLOGIES.

CAD GENERATED DRAWING, DO NOT MANUALLY UPDATE.				6436 CITY WEST PKWY EDEN PRAIRIE MN, 55344 PHONE: 866-977-3901 FAX: 877-894-6918	
DRAWN BY	MM	4/20/2016		DESCRIPTION SUNBRIGHT LARGE SWING ARM, BLK	
ENG APPROVAL			MODEL NO. MSP-SUNAWF500B		
MFG APPROVAL			SIZE DWG. NO. REV. B TECH-000784 00		
QA APPROVAL			SHEET 2 OF 2 SCALE 1:3		