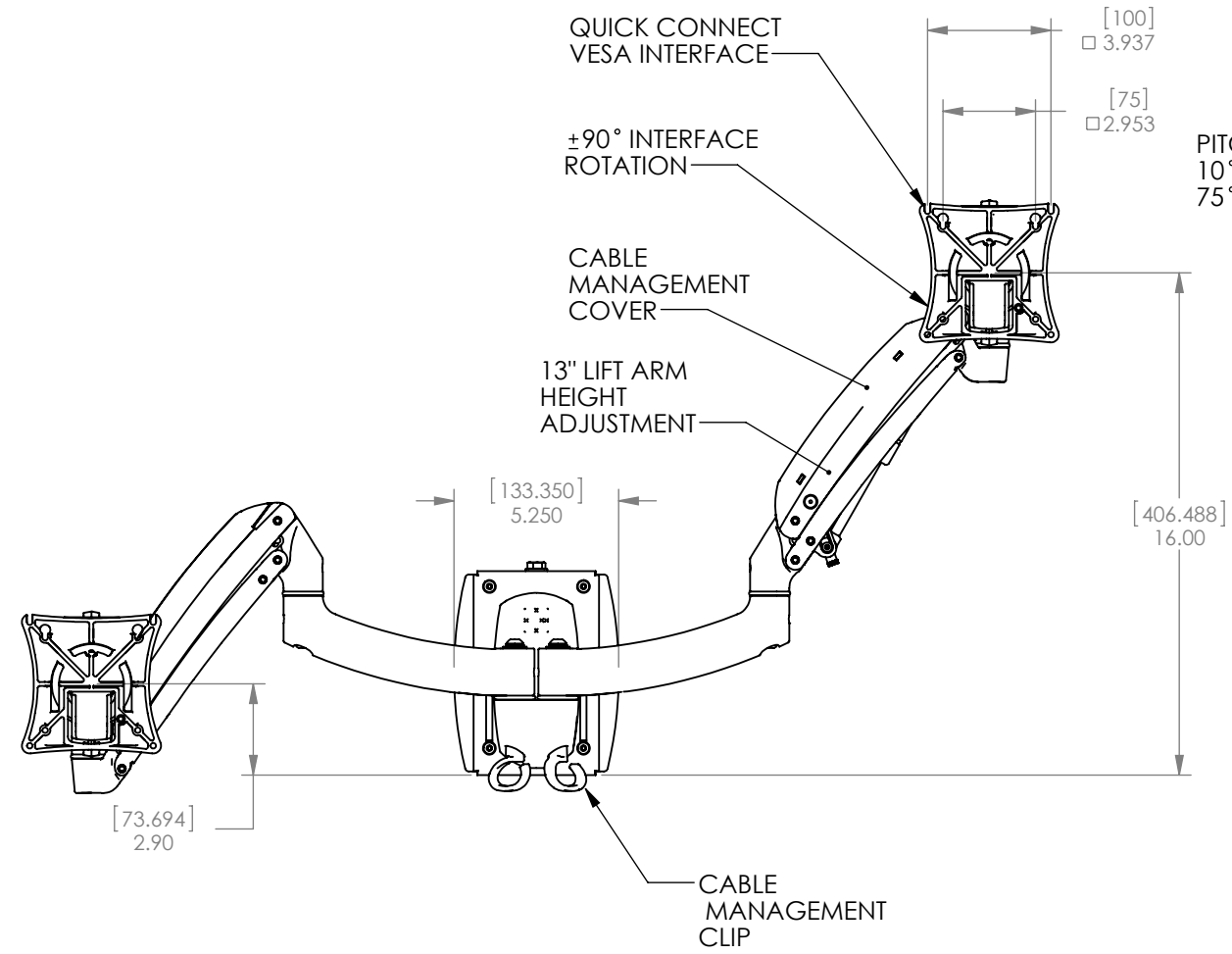
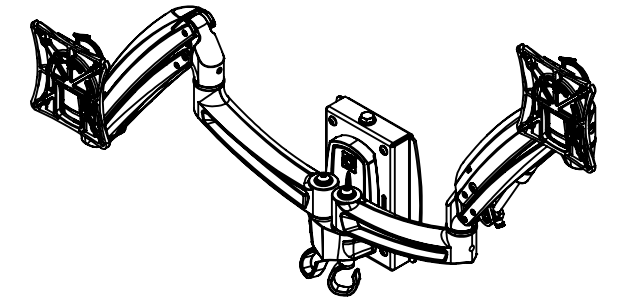
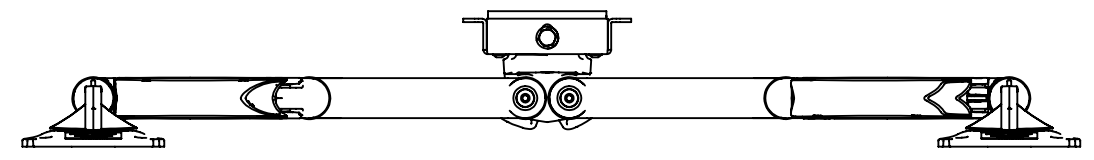
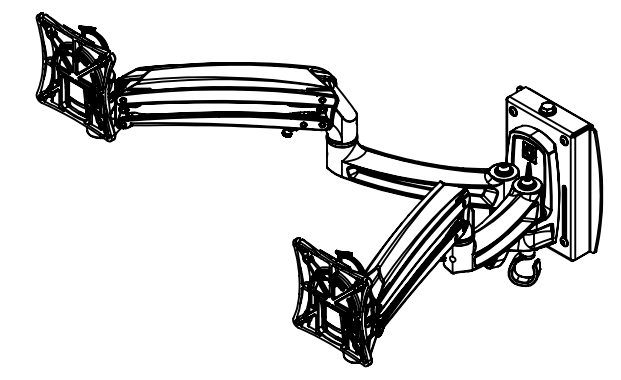
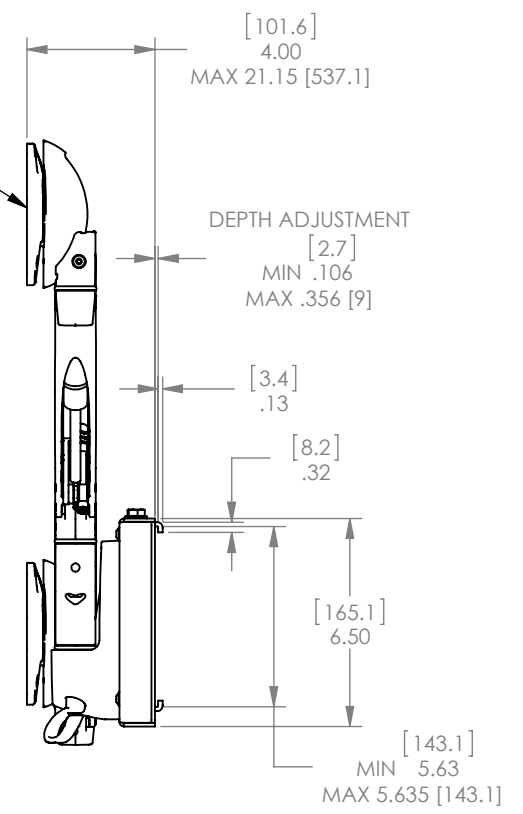


MAXIMUM WIDTH OF 2 PARALLEL, FORWARD-FACING DISPLAYS: 34.92" [887]



PITCH RANGE
10° DOWN
75° UP



THE INFORMATION AND DESIGNS CONTAINED IN THIS DRAWING ARE CONFIDENTIAL AND THE PROPRIETARY PROPERTY OF MILESTONE AV TECHNOLOGIES NEITHER THIS DESIGN NOR ANY INFORMATION CONTAINED IN THIS DRAWING MAY BE REPRODUCED OR DISCLOSED TO OTHERS WITHOUT THE EXPRESS WRITTEN CONSENT OF MILESTONE AV TECHNOLOGIES.

CAD GENERATED DRAWING, DO NOT MANUALLY UPDATE.			<p>6436 CITY WEST PKWY EDEN PRAIRIE MN, 55344 PHONE: 866-977-3901 FAX: 877-894-6918</p>
DRAWN BY	PLL	10/15/2013	
ENG APPROVAL			DESCRIPTION MSP-WL10B
MFG APPROVAL			MODEL NO. MSP-WL10B
QA APPROVAL			SIZE DWG. NO. REV. B TECH-000450 00
SHEET 1 OF 1			SCALE 1:6