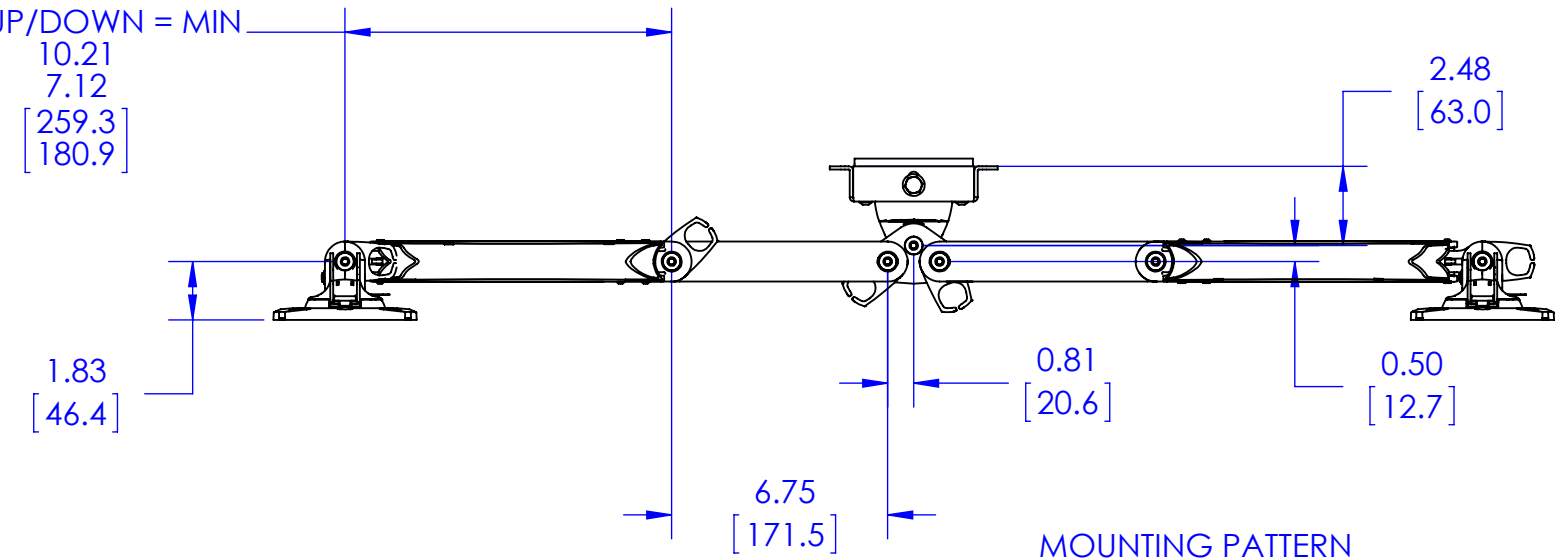


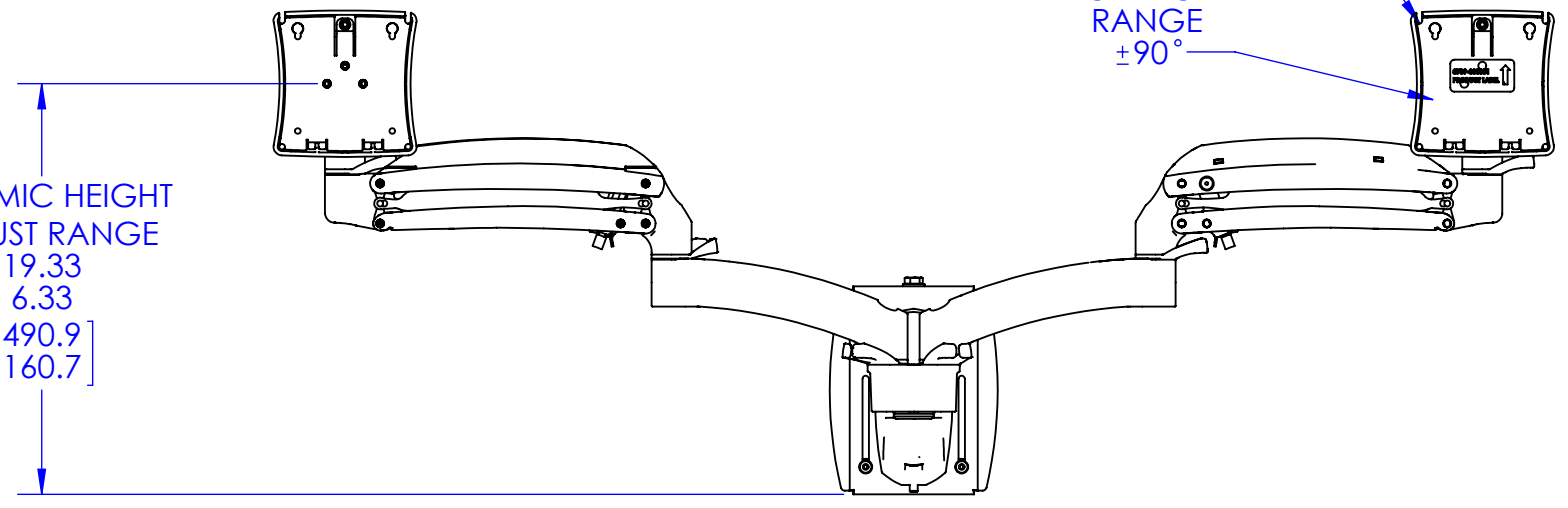
DYNAMIC LIFT ARM
LENGTH RANGE
STRAIGHT = MAX
FULL UP/DOWN = MIN
10.21
7.12
[259.3]
[180.9]



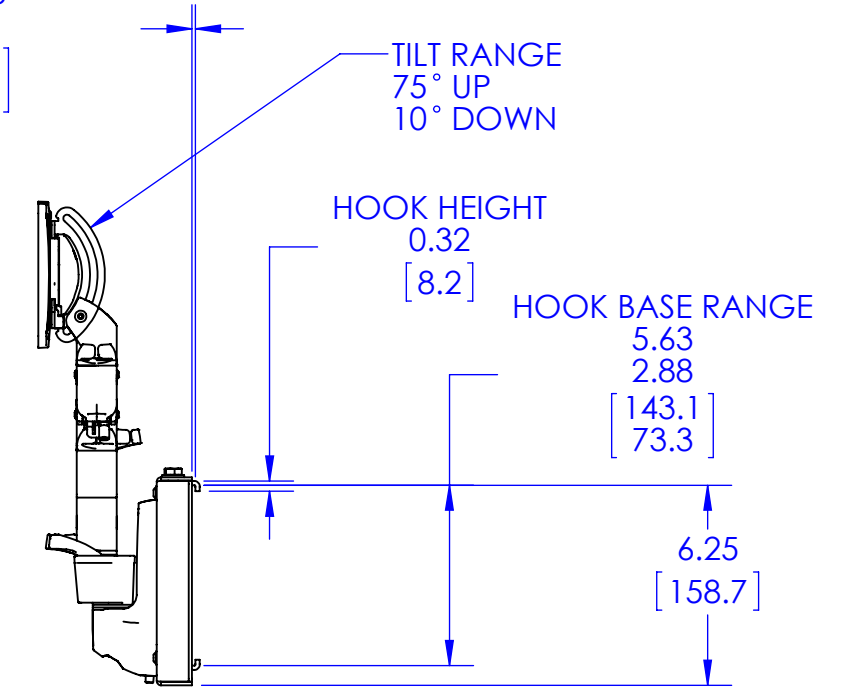
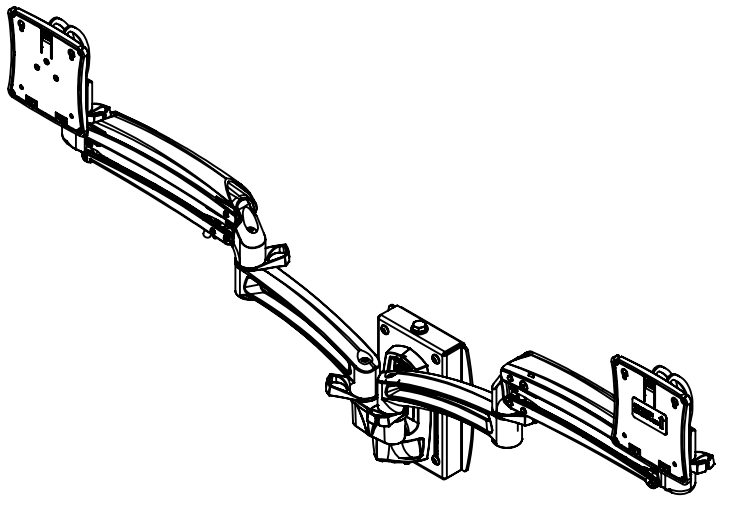
MOUNTING PATTERN
COMPATIBILITY
100 X 100
75 X 75

INTERFACE
ROTATION
RANGE
±90°

DYNAMIC HEIGHT
ADJUST RANGE
19.33
6.33
[490.9]
[160.7]



HOOK DEPTH RANGE
0.36
0.11
[9.0]
[2.7]



THE INFORMATION AND DESIGNS CONTAINED IN THIS DRAWING ARE CONFIDENTIAL AND THE PROPRIETARY PROPERTY OF MILESTONE AV TECHNOLOGIES NEITHER THIS DESIGN NOR ANY INFORMATION CONTAINED IN THIS DRAWING MAY BE REPRODUCED OR DISCLOSED TO OTHERS WITHOUT THE EXPRESS WRITTEN CONSENT OF MILESTONE AV TECHNOLOGIES.

CAD GENERATED DRAWING, DO NOT MANUALLY UPDATE.				6436 CITY WEST PKWY EDEN PRAIRIE MN, 55344 PHONE: 866-977-3901 FAX: 877-894-6918	
DRAWN BY	PLL	11/27/2013	DESCRIPTION MSP-WL10C		
ENG APPROVAL			MODEL NO. MSP-WL10C		
MFG APPROVAL			SIZE DWG. NO. B TECH-000592		
QA APPROVAL			SHEET 1 OF 1		REV. 00
SCALE		1:4			