

8

7

6

5

4

3

2

1

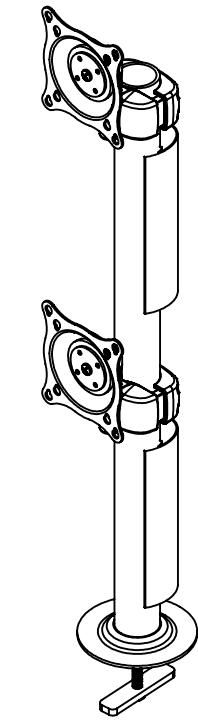
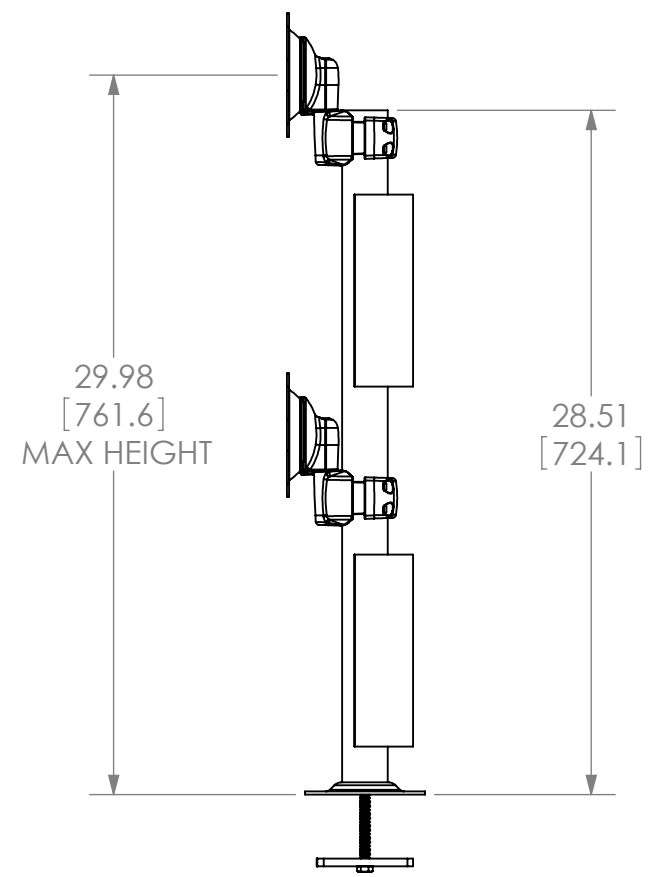
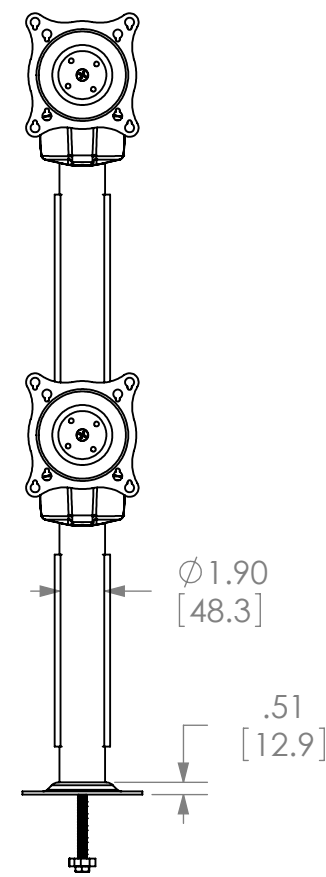
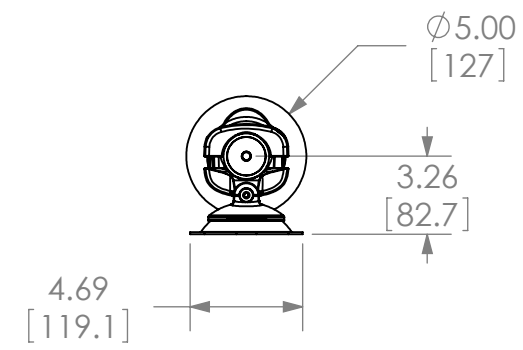
MSP-WL6

D

C

B

A



CHIEF MANUFACTURING INC.
MOUNT ORDER NUMBER IS MSP-WL6
PHONE: 1-800-582-6480

SHEET SCALE = 1:8

THE INFORMATION AND DESIGNS CONTAINED
 IN THIS DRAWING ARE CONFIDENTIAL AND THE
 PROPRIETARY PROPERTY OF CHIEF MFG., INC.
 NEITHER THIS DESIGN NOR ANY INFORMATION
 CONTAINED IN THIS DRAWING MAY BE
 REPRODUCED OR DISCLOSED TO OTHERS
 WITHOUT THE EXPRESS WRITTEN CONSENT OF
 CHIEF MFG., INC.

		8401 EAGLE CREEK PKY SUITE #700 SAVAGE, MN 55378 PHONE: 952-894-6280 FAX: 877-894-6918
TITLE CUSTOMER PRINT MSP-WL6		
SIZE B	DWG. NO. MSP-WL6	

1

2

3

4

5

6

7

8