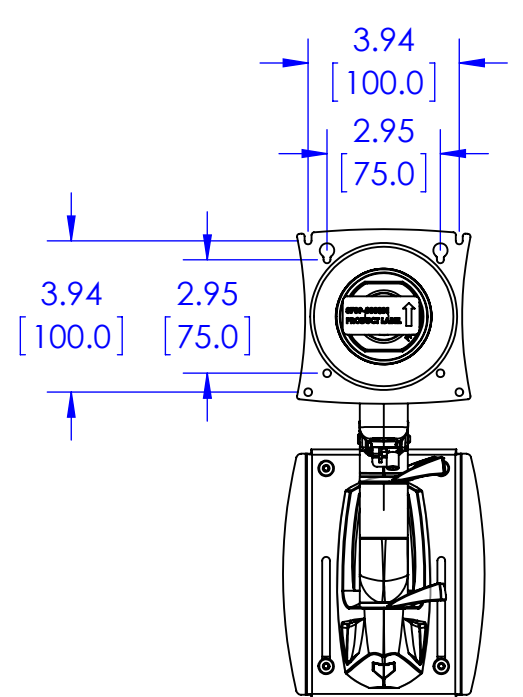
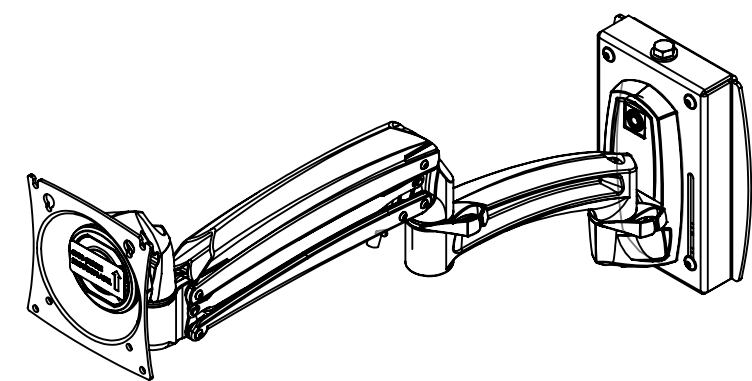
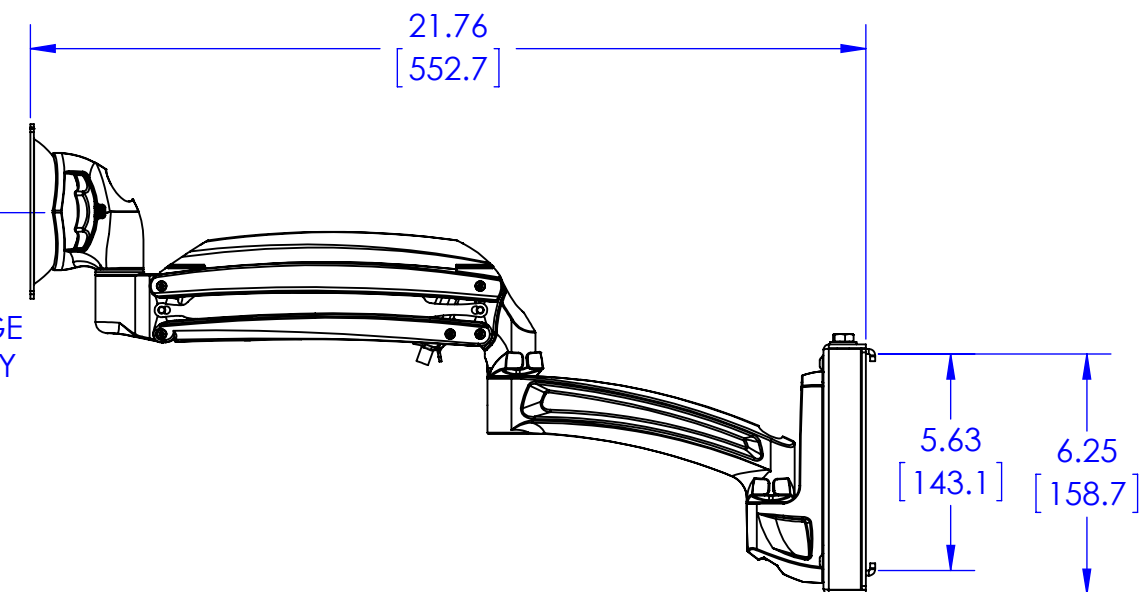


DYNAMIC LIFT ARM
LENGTH RANGE
APPROXIMATELY
10.21
[259.3]
STRAIGHT = MAX
FULL UP/DOWN = MIN
7.12
[180.9]



DYNAMIC HEIGHT
ADJUSTMENT RANGE
OF APPROXIMATELY
16.13
3.85
[409.7]
[97.8]



THE INFORMATION AND DESIGNS CONTAINED IN THIS DRAWING ARE CONFIDENTIAL AND THE PROPRIETARY PROPERTY OF MILESTONE AV TECHNOLOGIES NEITHER THIS DESIGN NOR ANY INFORMATION CONTAINED IN THIS DRAWING MAY BE REPRODUCED OR DISCLOSED TO OTHERS WITHOUT THE EXPRESS WRITTEN CONSENT OF MILESTONE AV TECHNOLOGIES.

CAD GENERATED DRAWING, DO NOT MANUALLY UPDATE.				6436 CITY WEST PKWY EDEN PRAIRIE MN, 55344 PHONE: 866-977-3901 FAX: 877-894-6918	
DRAWN BY	SEF	8/13/2014		DESCRIPTION MSP-WL9D TECH DRAWING	
ENG APPROVAL			MODEL NO. KONWL9D		
MFG APPROVAL			SIZE	DWG. NO.	REV.
QA APPROVAL			B	TECH-000621	00
SHEET 1 OF 1			SCALE		
			1:5		