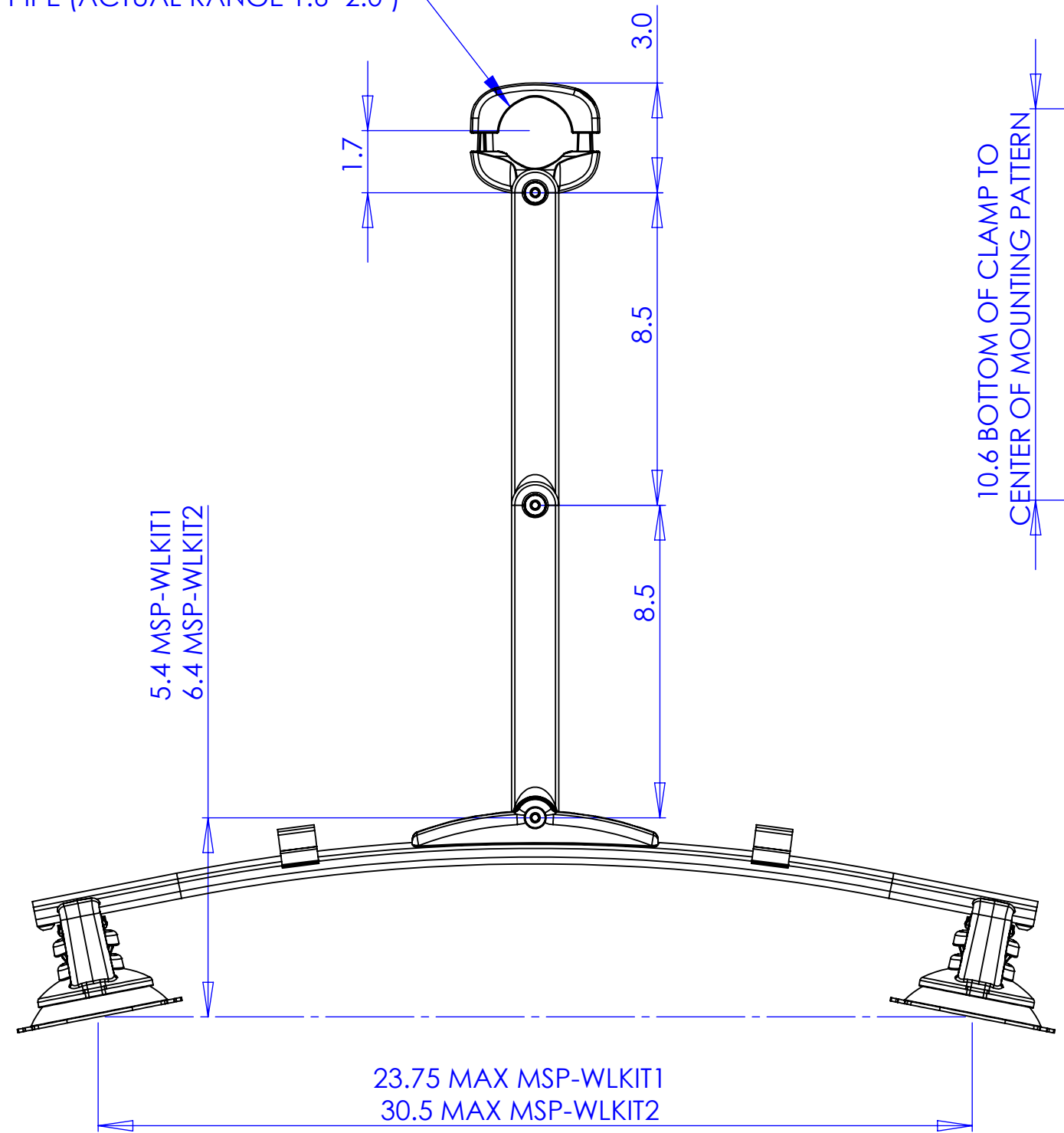
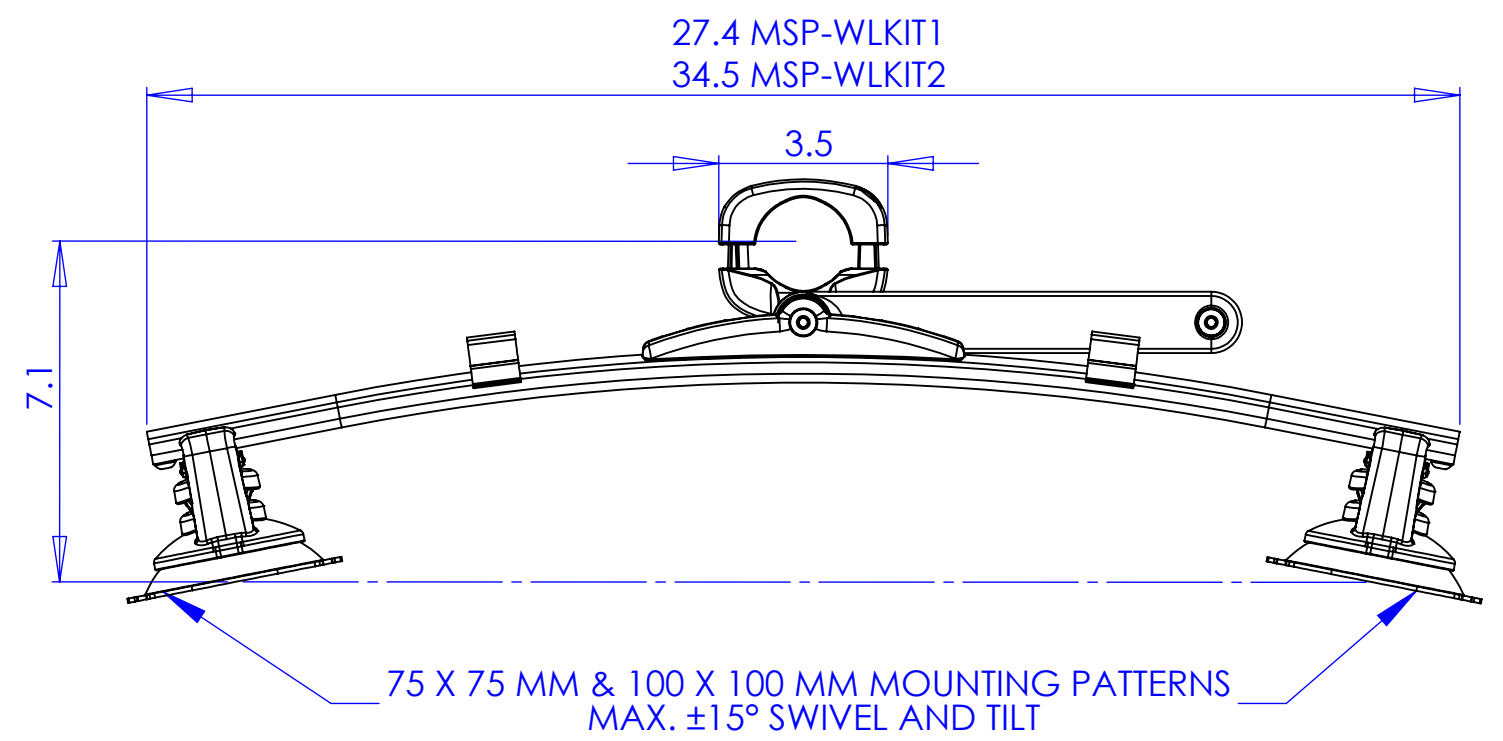
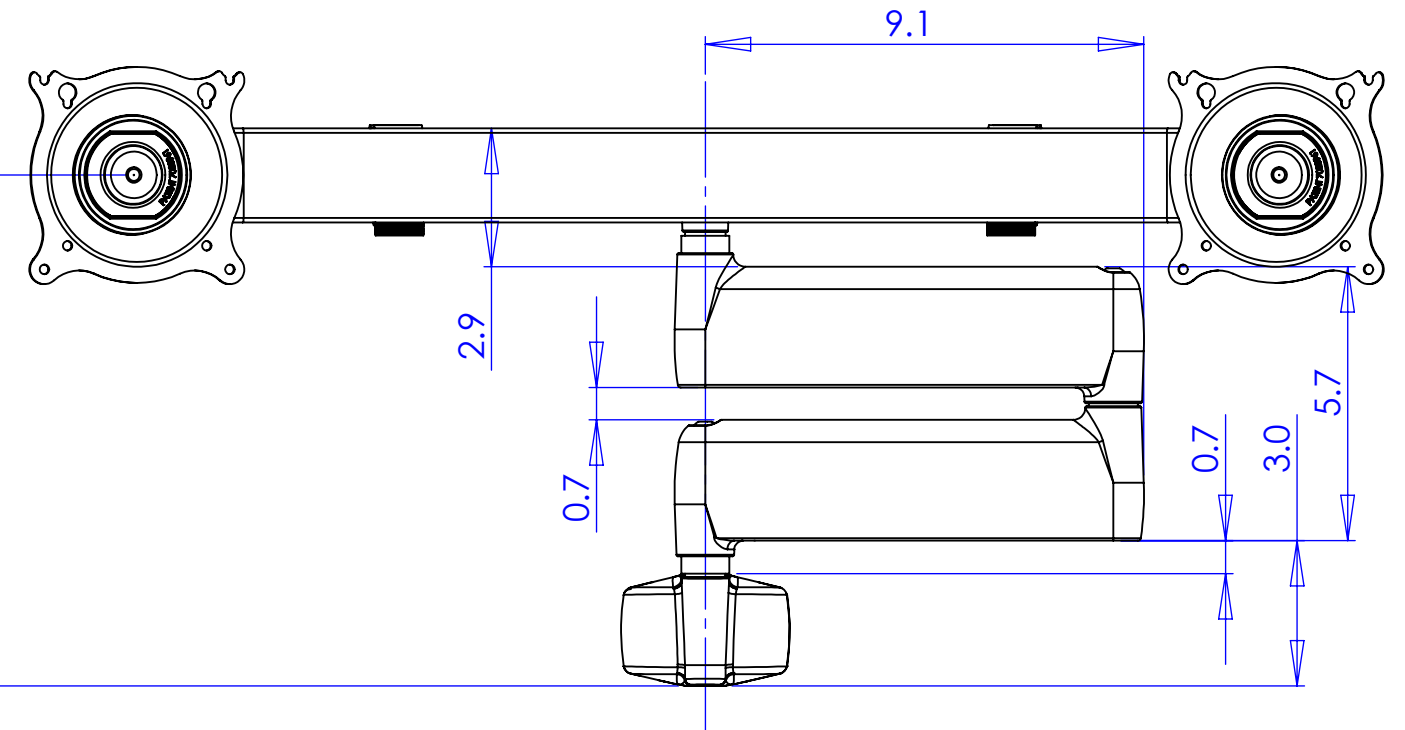


FOR CLAMPING ONTO A 1-1/2" PIPE (ACTUAL RANGE 1.6 -2.0")

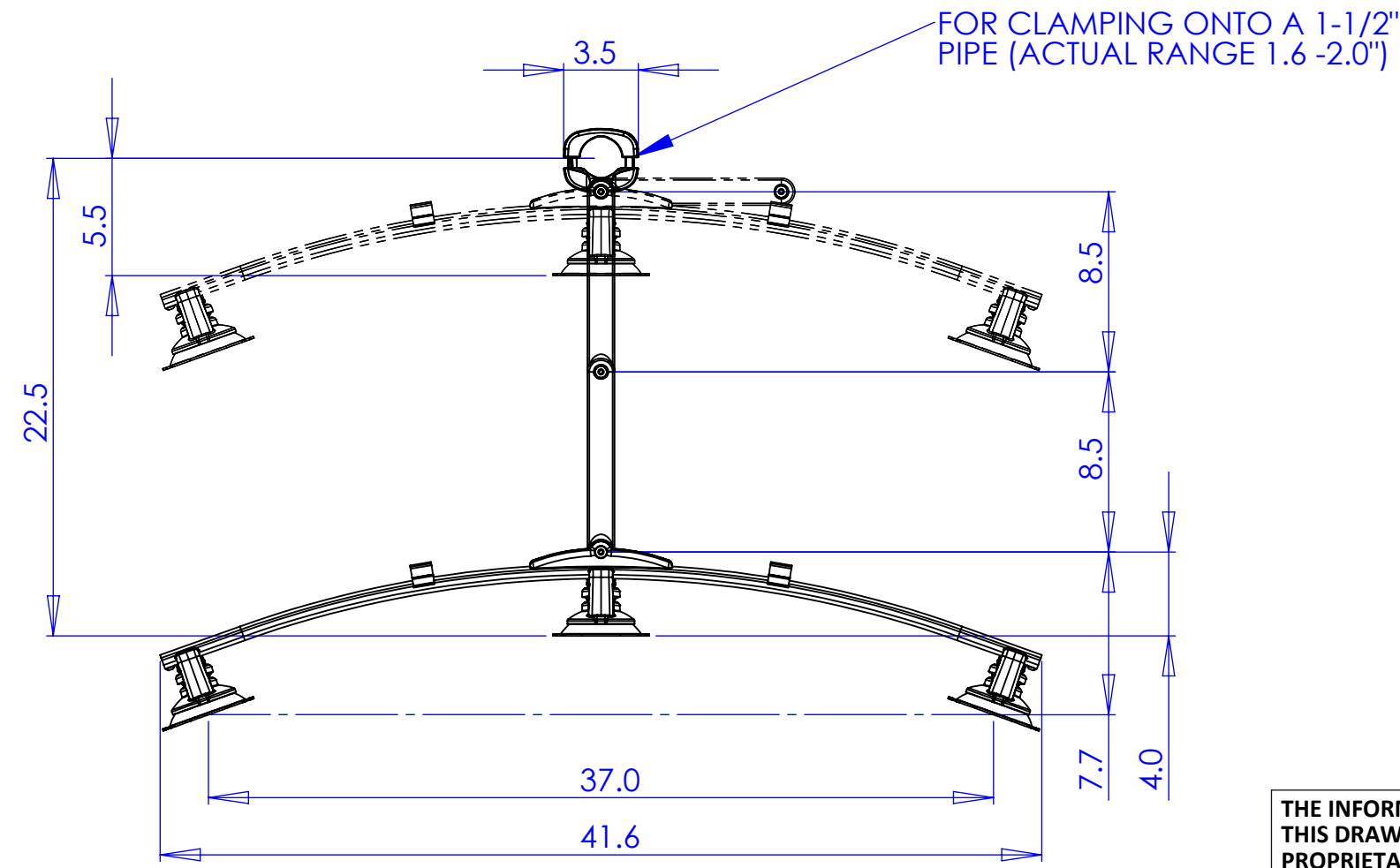
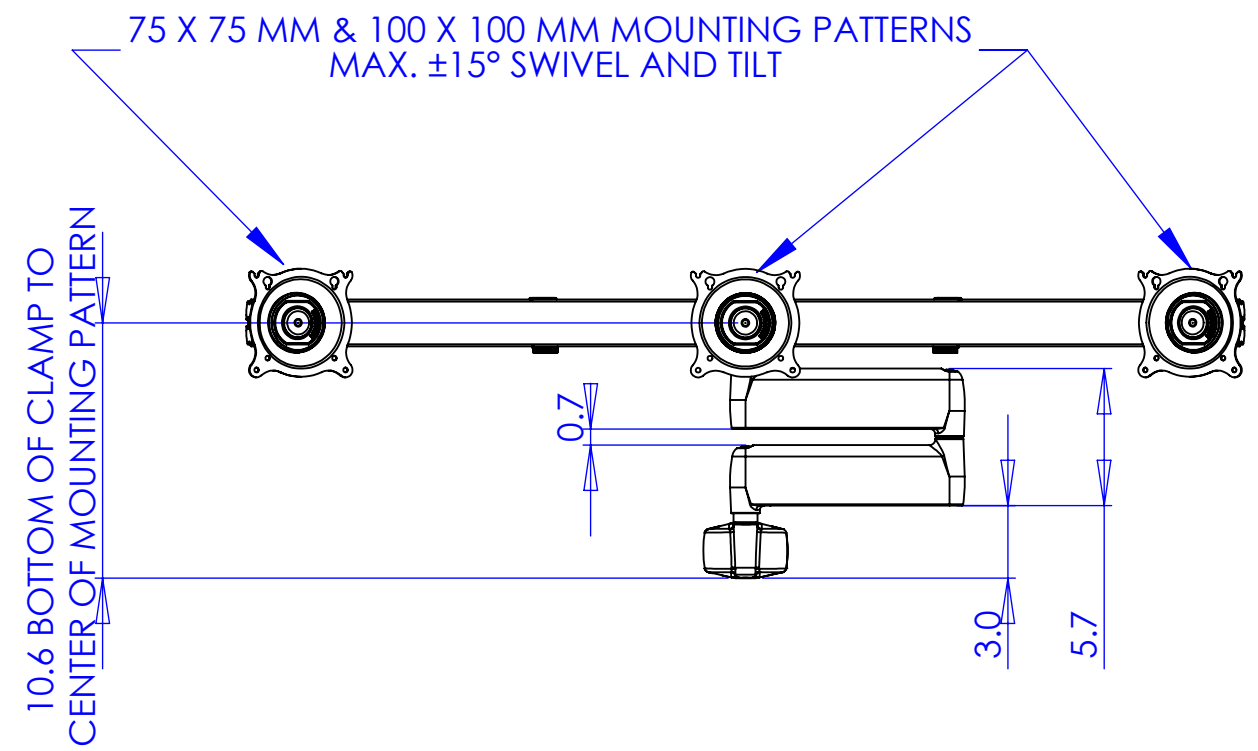


10.6 BOTTOM OF CLAMP TO CENTER OF MOUNTING PATTERN



THE INFORMATION AND DESIGNS CONTAINED IN THIS DRAWING ARE CONFIDENTIAL AND THE PROPRIETARY PROPERTY OF MILESTONE AV TECHNOLOGIES NEITHER THIS DESIGN NOR ANY INFORMATION CONTAINED IN THIS DRAWING MAY BE REPRODUCED OR DISCLOSED TO OTHERS WITHOUT THE EXPRESS WRITTEN CONSENT OF MILESTONE AV TECHNOLOGIES.

CAD GENERATED DRAWING, DO NOT MANUALLY UPDATE.			CHIEF		6436 CITY WEST PKWY EDEN PRAIRIE MN, 55344 PHONE: 866-977-3901 FAX: 877-894-6918	
DRAWN BY	GJR	6/1/2012	DESCRIPTION DUAL ARM, ARRAY, POLE MOUNT			
ENG APPROVAL			MODEL NO. MSP-WLKIT1 / MSP-WLKIT2 / MSP-WLKIT3			
MFG APPROVAL			SIZE DWG. NO. B TECH-000056			
QA APPROVAL			REV. 00			
SHEET 1 OF 2		SCALE 1:4				



THE INFORMATION AND DESIGNS CONTAINED IN THIS DRAWING ARE CONFIDENTIAL AND THE PROPRIETARY PROPERTY OF MILESTONE AV TECHNOLOGIES NEITHER THIS DESIGN NOR ANY INFORMATION CONTAINED IN THIS DRAWING MAY BE REPRODUCED OR DISCLOSED TO OTHERS WITHOUT THE EXPRESS WRITTEN CONSENT OF MILESTONE AV TECHNOLOGIES.

CAD GENERATED DRAWING, DO NOT MANUALLY UPDATE.			6436 CITY WEST PKWY EDEN PRAIRIE MN, 55344 PHONE: 866-977-3901 FAX: 877-894-6918
DRAWN BY	GJR	6/1/2012	
ENG APPROVAL			DESCRIPTION
MFG APPROVAL			DUAL ARM, ARRAY, POLE MOUNT
QA APPROVAL			MODEL NO.
SHEET 2 OF 2			MSP-WLKIT1 / MSP-WLKIT2 / MSP-WLKIT3
	SCALE	SIZE	DWG. NO.
	1:8	B	TECH-000056
			REV.
			00