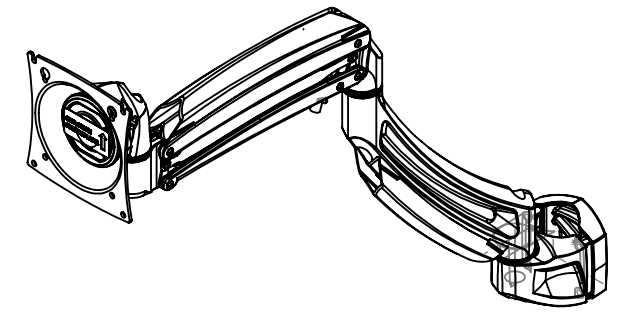
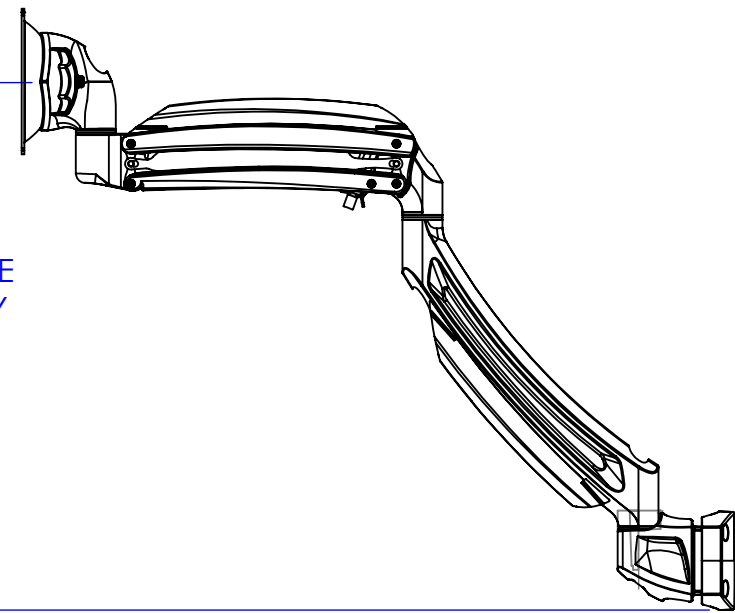


DYNAMIC LIFT ARM
 LENGTH RANGE
 APPROXIMATELY
 STRAIGHT = MAX
 FULL UP/DOWN = MIN
 10.21 [259.3]
 7.12 [180.9]



DYNAMIC HEIGHT
 ADJUSTMENT RANGE
 OF APPROXIMATELY
 23.70 [601.1]
 10.70 [271.8]



THE INFORMATION AND DESIGNS CONTAINED IN THIS DRAWING ARE CONFIDENTIAL AND THE PROPRIETARY PROPERTY OF MILESTONE AV TECHNOLOGIES NEITHER THIS DESIGN NOR ANY INFORMATION CONTAINED IN THIS DRAWING MAY BE REPRODUCED OR DISCLOSED TO OTHERS WITHOUT THE EXPRESS WRITTEN CONSENT OF MILESTONE AV TECHNOLOGIES.

CAD GENERATED DRAWING, DO NOT MANUALLY UPDATE.			CHIEF		6436 CITY WEST PKWY EDEN PRAIRIE MN, 55344 PHONE: 866-977-3901 FAX: 877-894-6918
DRAWN BY	SEF	7/29/2014	DESCRIPTION MSP-WNSTD6B TECH DRAWING		
ENG APPROVAL			MODEL NO. MSP-WNSTD6B		
MFG APPROVAL			SIZE	DWG. NO.	REV.
QA APPROVAL			B	TECH-000611	00
SHEET 1 OF 1		SCALE 1:6			