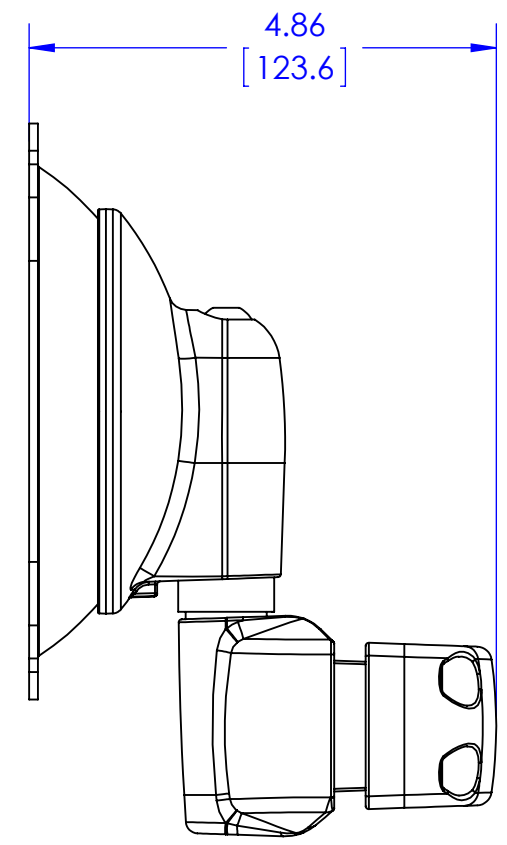
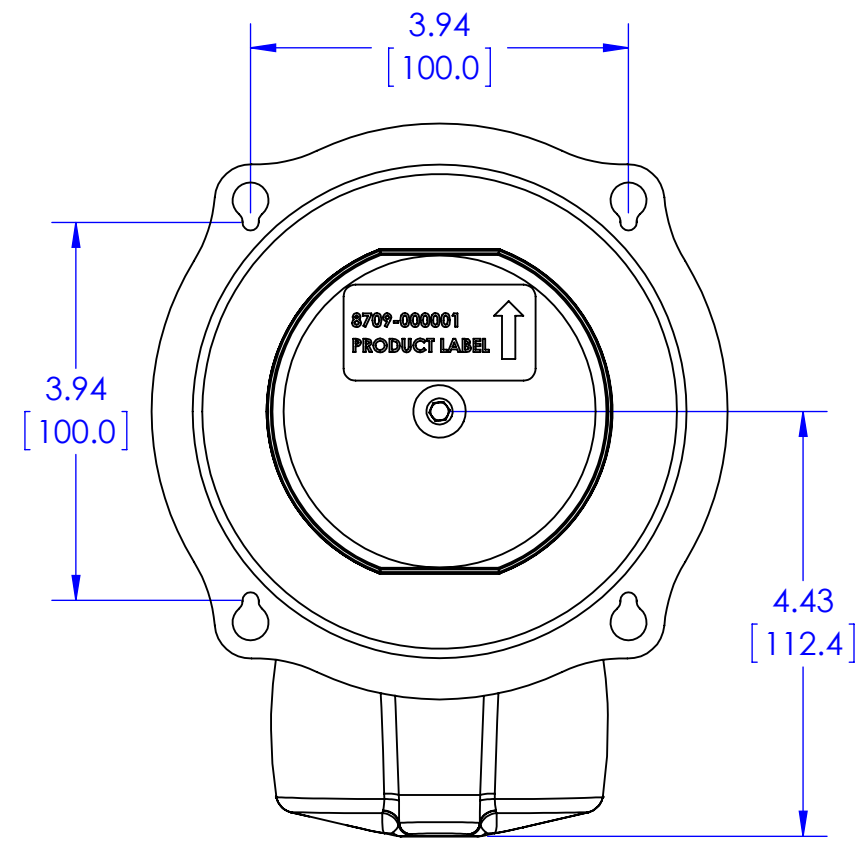
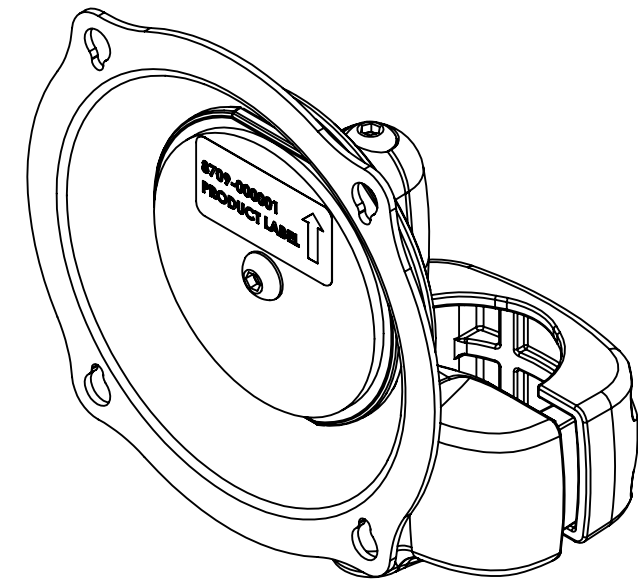
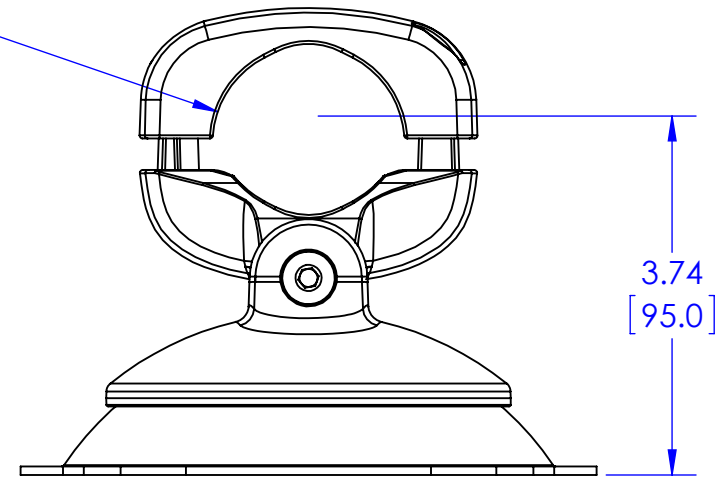



Ø 2.00 MAX
[50.8]

Ø 1.45 MIN
[36.8]



THE INFORMATION AND DESIGNS CONTAINED IN THIS DRAWING ARE CONFIDENTIAL AND THE PROPRIETARY PROPERTY OF MILESTONE AV TECHNOLOGIES NEITHER THIS DESIGN NOR ANY INFORMATION CONTAINED IN THIS DRAWING MAY BE REPRODUCED OR DISCLOSED TO OTHERS WITHOUT THE EXPRESS WRITTEN CONSENT OF MILESTONE AV TECHNOLOGIES.

CAD GENERATED DRAWING, DO NOT MANUALLY UPDATE.			 6436 CITY WEST PKWY EDEN PRAIRIE MN, 55344 PHONE: 866-977-3901 FAX: 877-894-6918
DRAWN BY	SEF	7/30/2014	
ENG APPROVAL			DESCRIPTION
MFG APPROVAL			MSP-WMSTD8B TECH DRAWING
QA APPROVAL			MODEL NO.
SHEET 1 OF 1			MSP-WNSTD8B
SCALE	1:2	SIZE	DWG. NO.
		B	TECH-000616
			REV.
			00