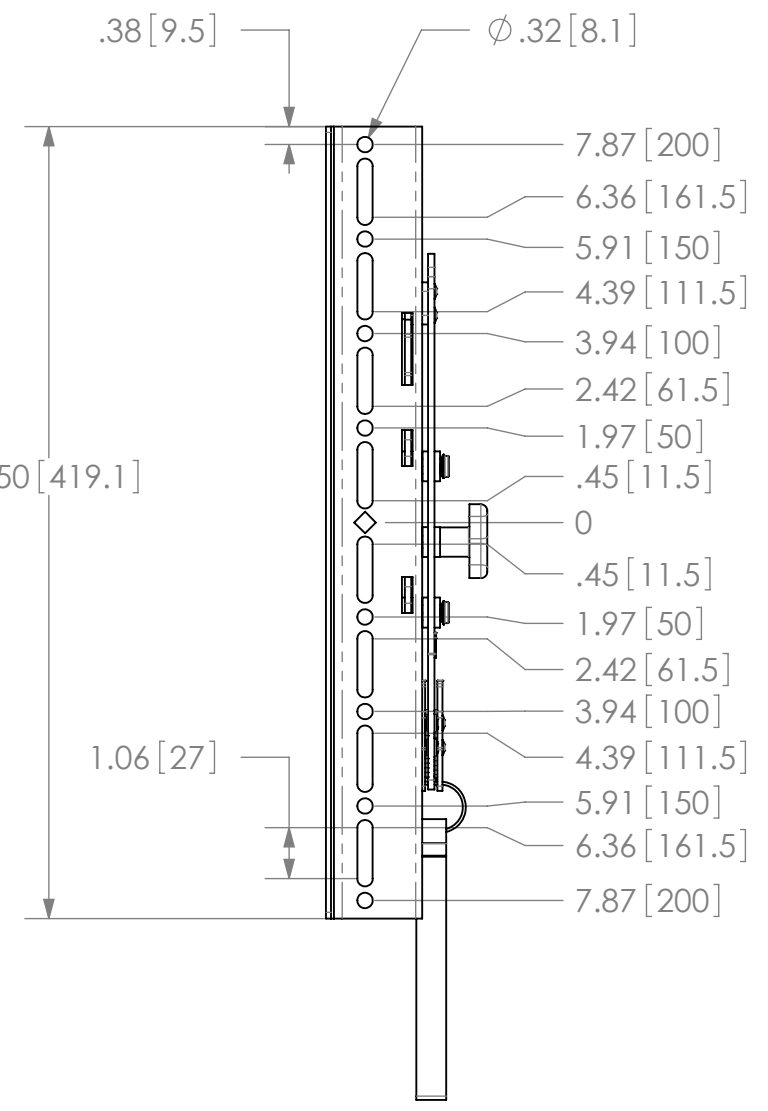
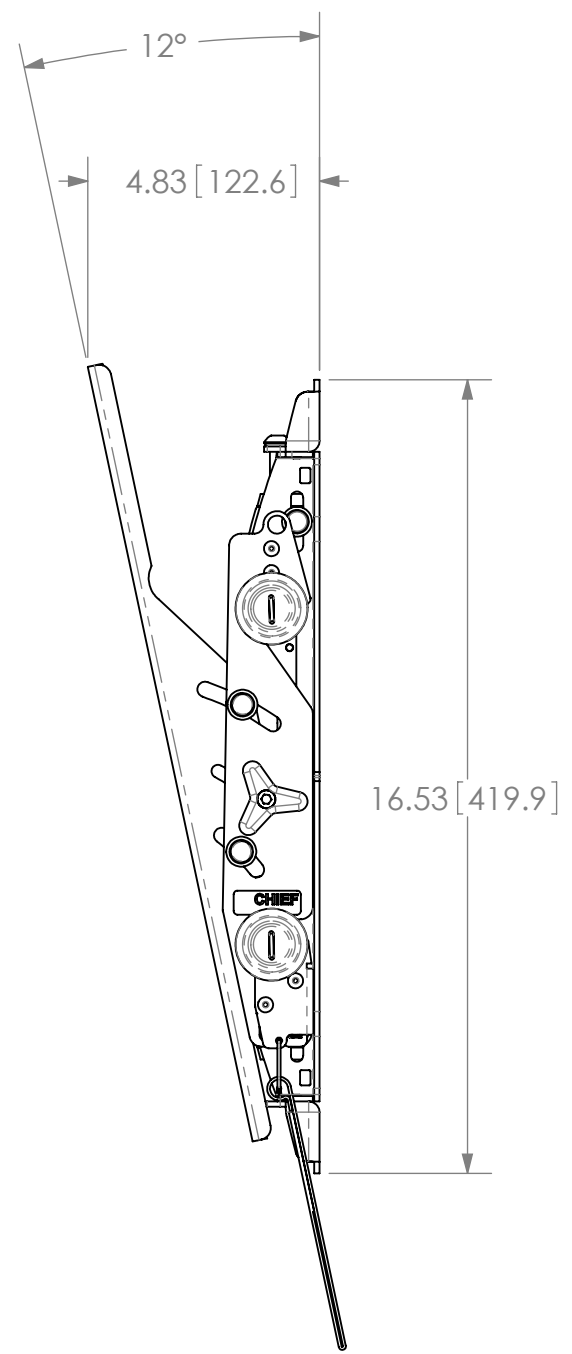
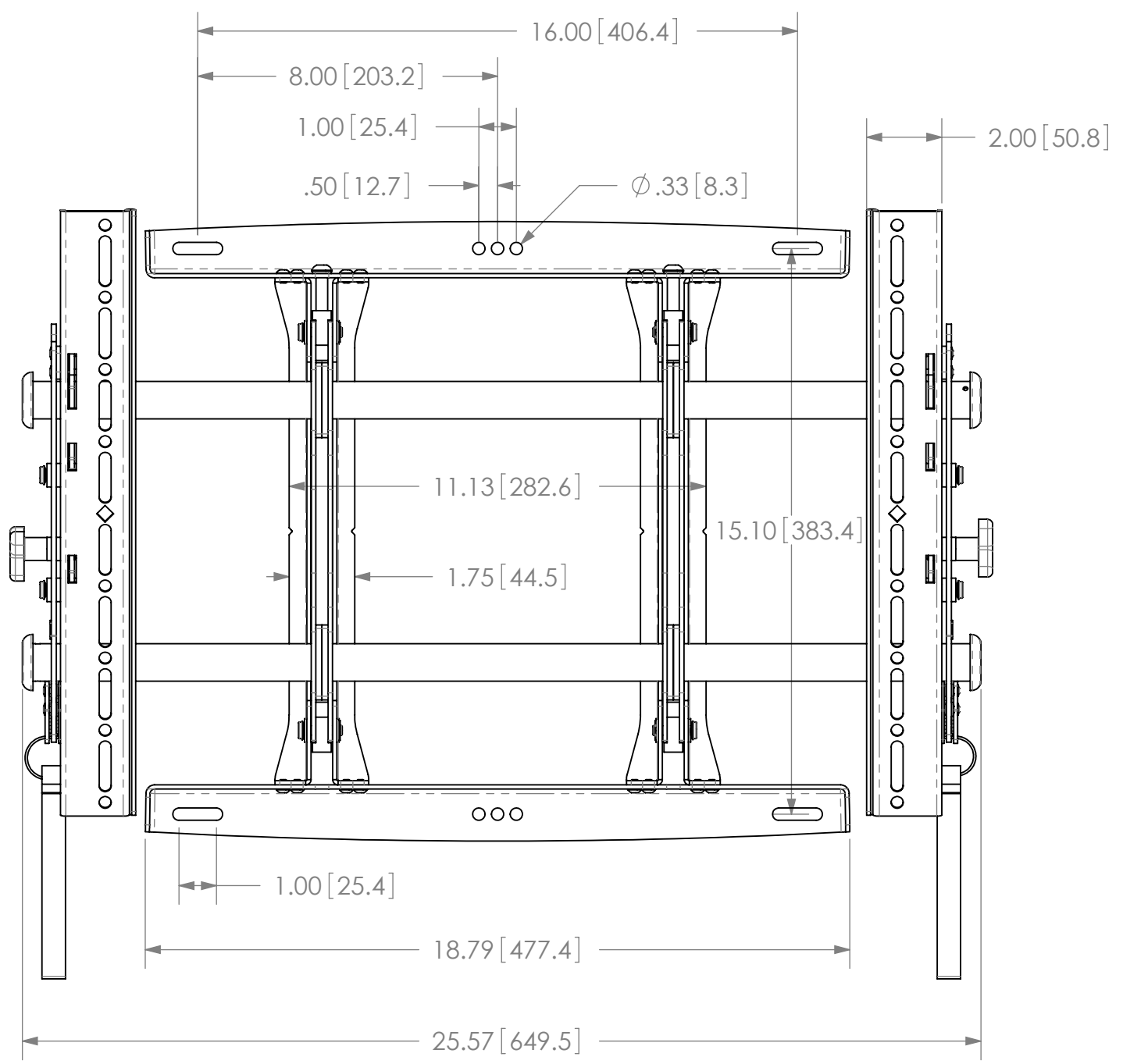
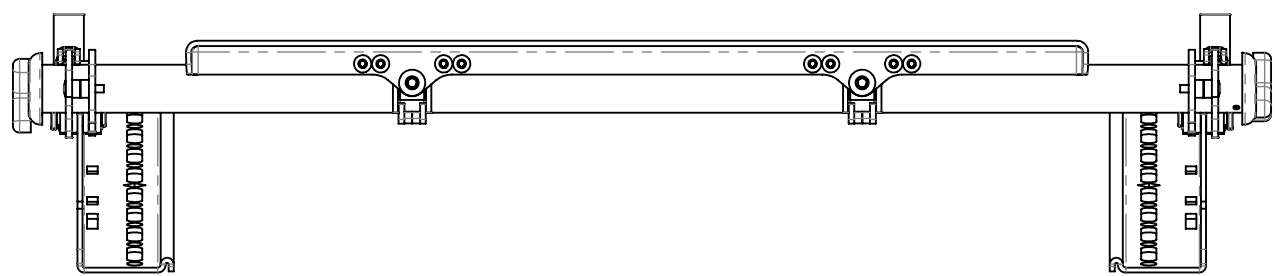


NOTES:

1. MAX MOUNTING PATTERN IS 21.6"[548.6mm] WITHOUT REVERSING UPRIGHTS.
2. MAX MOUNTING PATTERN IS 26.2"[665.5mm] WITH REVERSING UPRIGHTS.
3. FOR RECESSED APPLICATIONS, MINIMUM VERTICAL LIFT FOR HOOK ENGAGEMENT IS .42"[10.7mm].
4. RAILS CAN BE SLID LEFT OR RIGHT FOR OFFSET APPLICATIONS.
5. MOUNT IS 1.99"[50.5mm] DEEP WHEN FLAT TO THE WALL.



CHIEF MANUFACTURING INC.
 PRODUCT ORDER NUMBER IS: MTMU AND MTMXXXX
 PHONE: 1-800-582-6480

SHEET SCALE = 1:4

THE INFORMATION AND DESIGNS CONTAINED IN THIS DRAWING ARE CONFIDENTIAL AND THE PROPRIETARY PROPERTY OF MILESTONE AV TECHNOLOGIES NEITHER THIS DESIGN NOR ANY INFORMATION CONTAINED IN THIS DRAWING MAY BE REPRODUCED OR DISCLOSED TO OTHERS WITHOUT THE EXPRESS WRITTEN CONSENT OF MILESTONE AV TECHNOLOGIES.



8401 EAGLE CREEK PKY
 SUITE #700
 SAVAGE, MN 55378
 PHONE: 952-894-6280
 FAX: 877-894-6918

TITLE
CUSTOMER PRINT
MTMU AND MTMXXXX
 SIZE | DWG. NO.
B | MTMU AND MTMXXXX