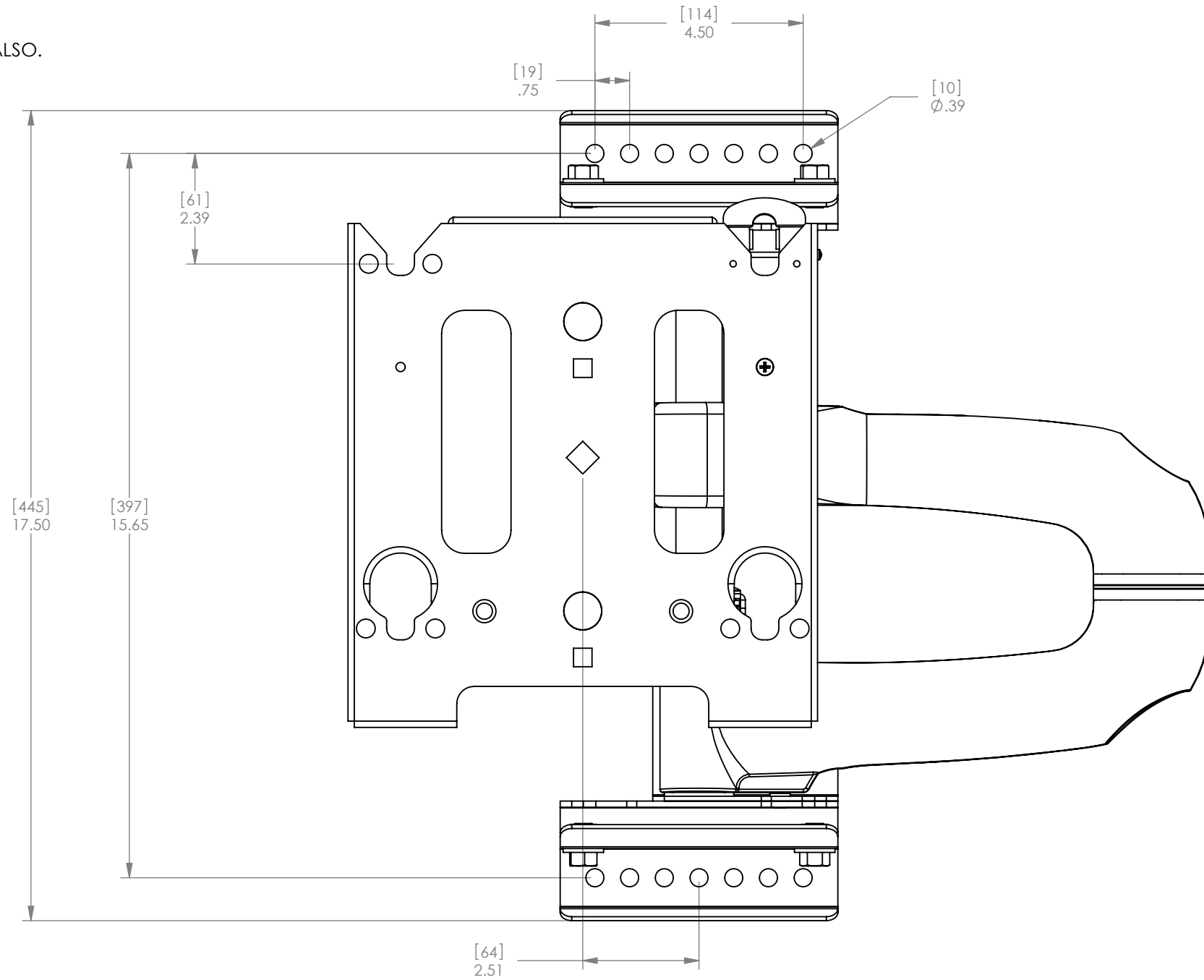


NOTE: CUSTOM INTERAFCE BRACKET NOT SHOWN. THE CUSTOM INTERFACE BRACKET NEEDED FOR YOUR DISPLAY WILL ADD BETWEEN 1/2" AND 2" IN DEPTH AND MAY AFFECT LOCATION OF DISPLAY ON THE MOUNT.

SEE MSB-XXXX DRAWING ALSO.

Mounting Pattern



PRODUCT FEATURES	
WEIGHT CAPACITY	100 LBS
HEIGHT ADJUSTMENT	0"
TILT / ROLL / YAW	+5°, -15° / ±2° / ±0°

BRACKET ORDER # MWH



CHIEF MANUFACTURING INC.

**MOUNT ORDER NUMBER IS MWH
PHONE: 1-800-582-6480**

9/18/2007

ALL MEASUREMENTS ARE IN THE FOLLOWING FORMAT:

[MILLIMETERS]
INCHES

THE INFORMATION AND DESIGNS CONTAINED IN THIS DRAWING ARE CONFIDENTIAL AND THE PROPRIETARY PROPERTY OF CHIEF MFG., INC. NEITHER THIS DESIGN NOR ANY INFORMATION CONTAINED IN THIS DRAWING MAY BE REPRODUCED OR DISCLOSED TO OTHERS WITHOUT THE EXPRESS WRITTEN CONSENT OF CHIEF MFG., INC.

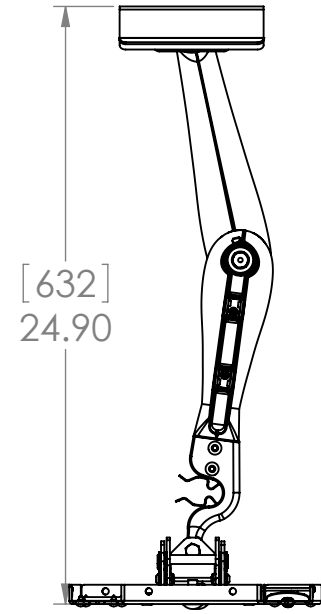
CHIEF MANUFACTURING, INC.
8401 EAGLE CREEK PKWY * SAVAGE, MN 55378
1.800.582.6480 * Fax 1.877.894.6918

TITLE
CUSTOMER PRINT

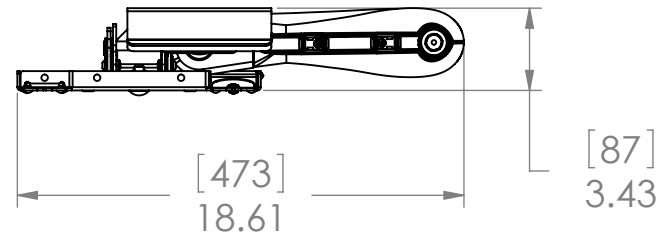
SIZE | DWG. NO.
B BRACKET ORDER # MWH

Unit Depth

Extended

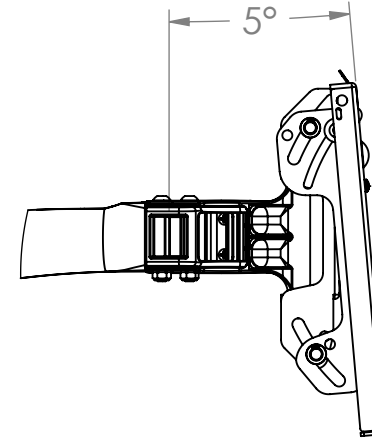


Retracted

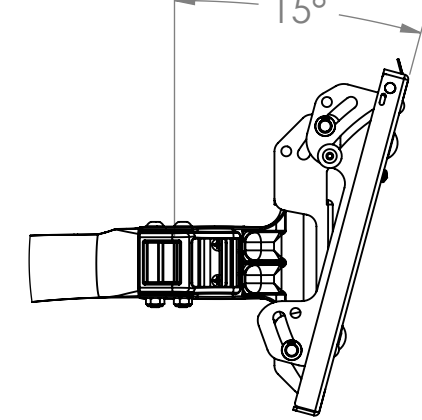


Tilt Adjustment

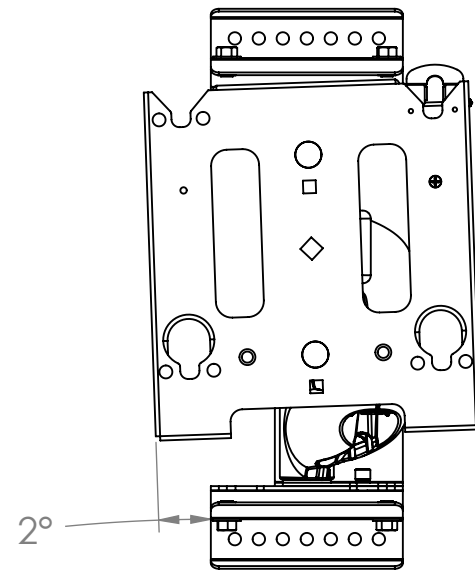
Tilted Up



Tilted Down



Roll Adjustment



THE INFORMATION AND DESIGNS CONTAINED IN THIS DRAWING ARE CONFIDENTIAL AND THE PROPRIETARY PROPERTY OF CHIEF MFG., INC. NEITHER THIS DESIGN NOR ANY INFORMATION CONTAINED IN THIS DRAWING MAY BE REPRODUCED OR DISCLOSED TO OTHERS WITHOUT THE EXPRESS WRITTEN CONSENT OF CHIEF MFG., INC.

CHIEF MANUFACTURING, INC.
12800 HWY 13 SOUTH STE. 500 * SAVAGE, MN 55378
1.800.582.6480 * fax 1.877.894.6918

TITLE
CUSTOMER PRINT

SIZE | DWG. NO.
B BRACKET ORDER # MWH

BRACKET ORDER # MWH

D

C

B

A

1

2

3

4

5

6

7

8

D

C

B

A

1

2

3

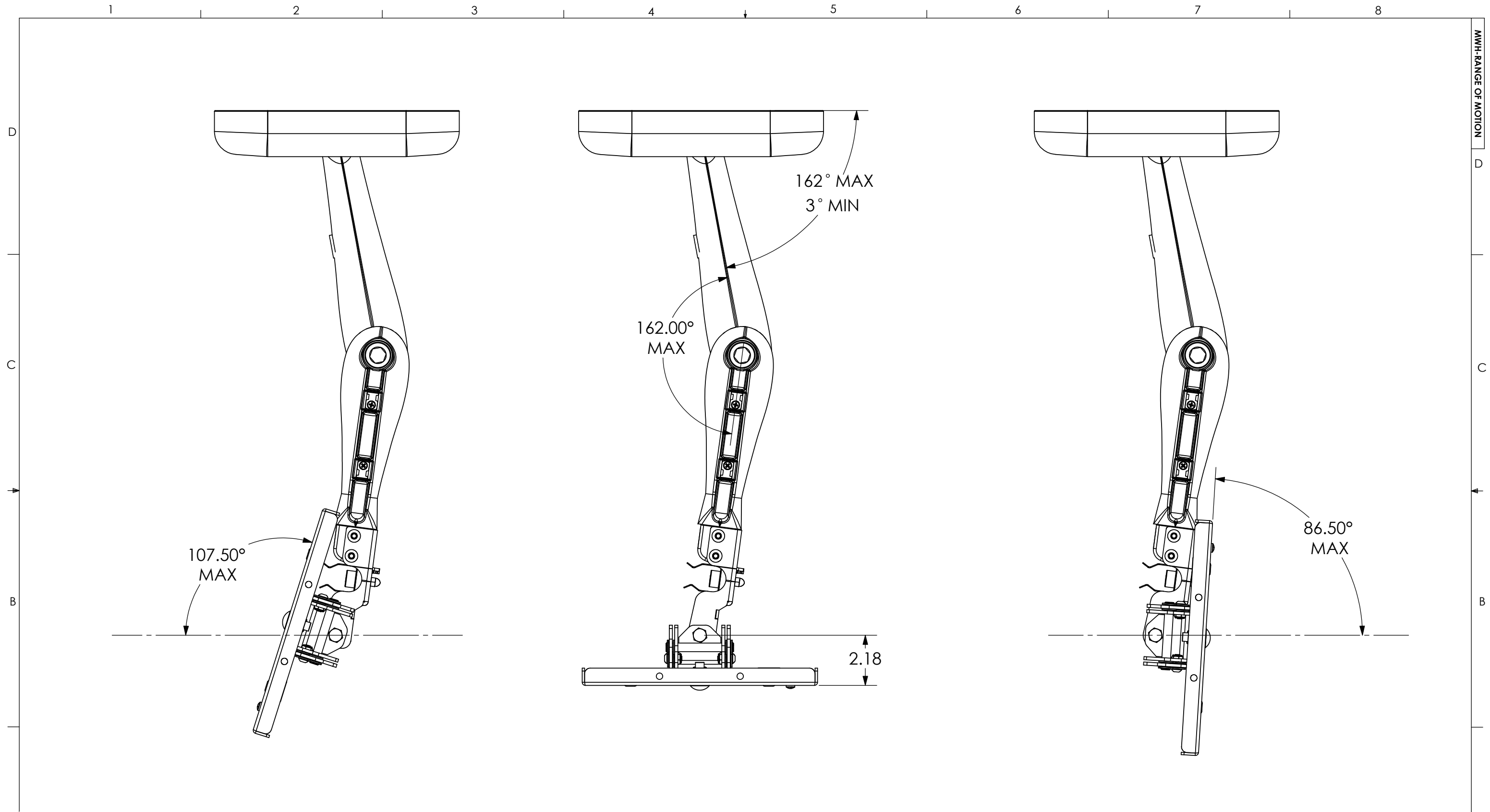
4

5

6

7


8



CHIEF MANUFACTURING INC.
MOUNT ORDER NUMBER IS MWH-RANGE OF MOTION
PHONE: 1-800-582-6480

SHEET SCALE = 1:4

THE INFORMATION AND DESIGNS CONTAINED IN THIS DRAWING ARE CONFIDENTIAL AND THE PROPRIETARY PROPERTY OF CHIEF MFG., INC. NEITHER THIS DESIGN NOR ANY INFORMATION CONTAINED IN THIS DRAWING MAY BE REPRODUCED OR DISCLOSED TO OTHERS WITHOUT THE EXPRESS WRITTEN CONSENT OF CHIEF MFG., INC.

 CHIEF MANUFACTURING, INC. <small>8401 EAGLE CREEK PKWY STE. 700, SAVAGE, MN 55378 1.800.582.6480 * FAX 1.877.894.6918</small>	
TITLE	
CUSTOMER PRINT	
MWH-RANGE OF MOTION	
SIZE	DWG. NO.
B	MWH-RANGE OF MOTION