

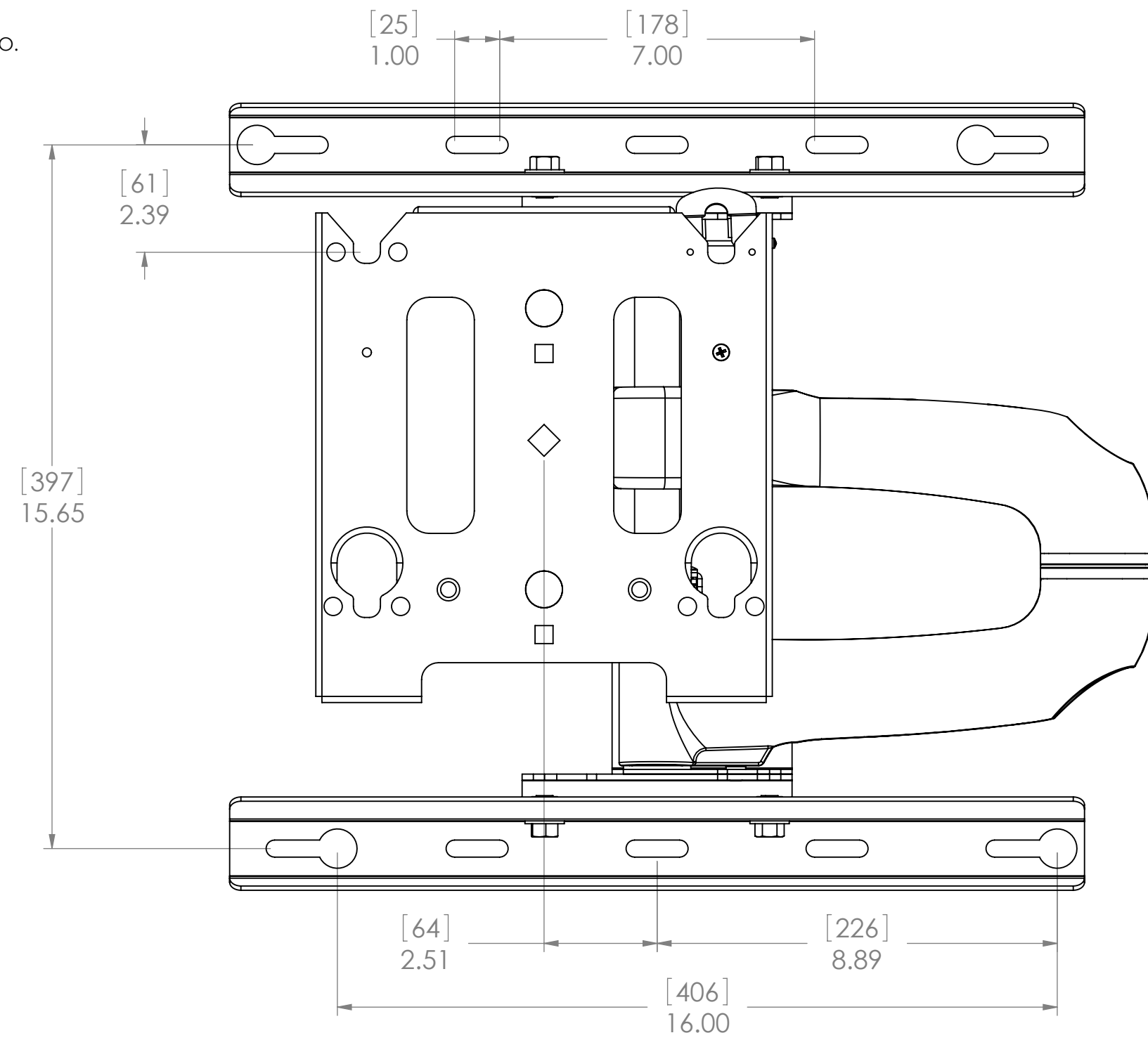
NOTE: CUSTOM INTERAFCE BRACKET
NOT SHOWN. THE CUSTOM INTERFACE
BRACKET NEEDED FOR YOUR DISPLAY

AND MAY AFFECT LOCATION OF DISPLAY
ON THE MOUNT.

SEE MSB-XXXX DRAWING ALSO.

	100 LBS
HEIGHT ADJUSTMENT	0"
TILT / ROLL / YAW	+5°,-15° / ±2° / ±0°

BRACKET ORDER # MWR



CHIEF MANUFACTURING INC.

**MOUNT ORDER NUMBER IS MWR
PHONE: 1-800-582-6480**

7/3/2007

ALL MEASUREMENTS ARE IN
THE FOLLOWING FORMAT:

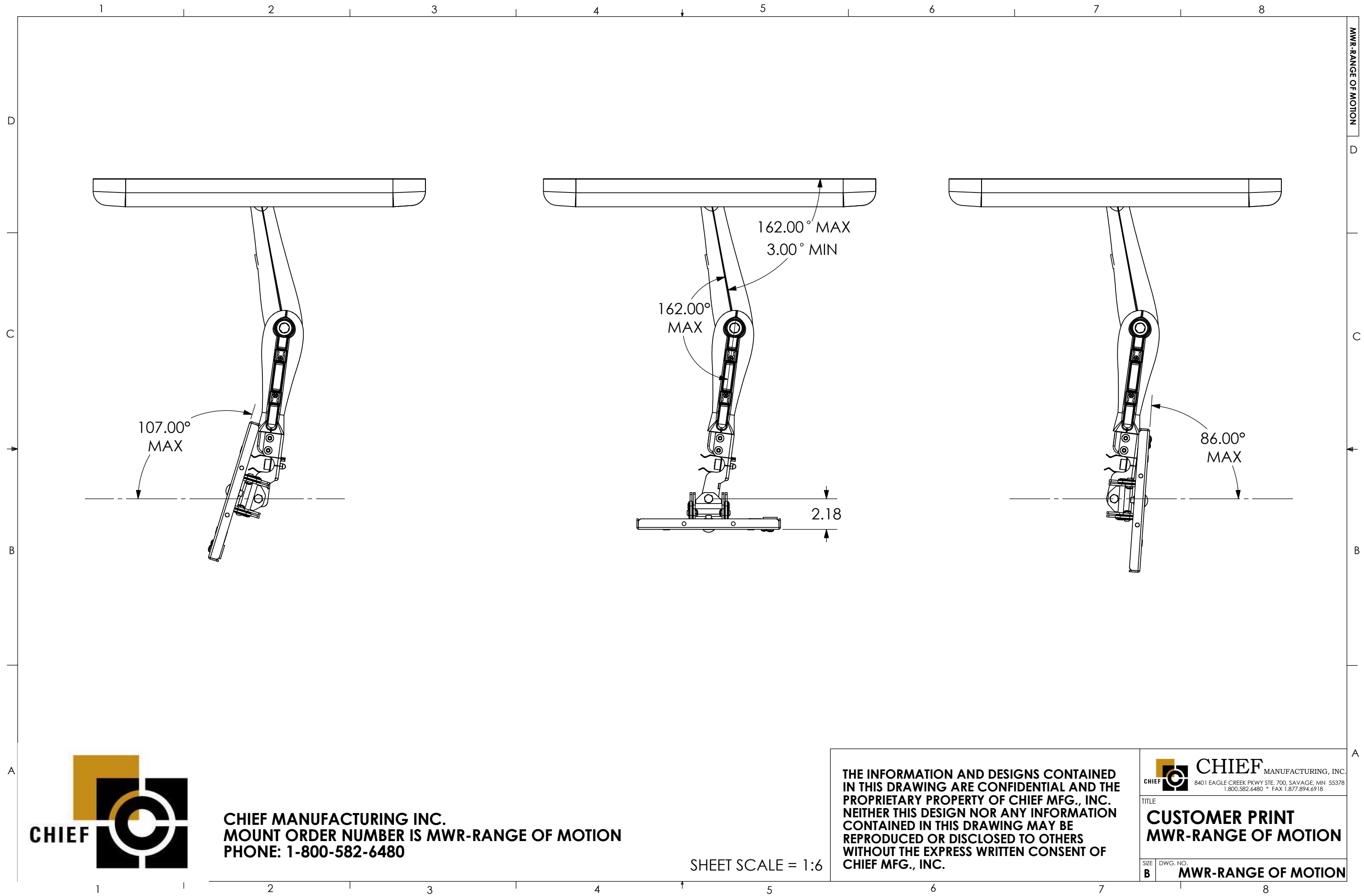
[MILLIMETERS]
INCHES

**CONTAINED IN THIS DRAWING MAY BE
REPRODUCED OR DISCLOSED TO OTHERS**



TITLE
CUSTOMER PRINT


B BRACKET ORDER # MWR



CHIEF MANUFACTURING INC.
MOUNT ORDER NUMBER IS MWR-RANGE OF MOTION
PHONE: 1-800-582-6480

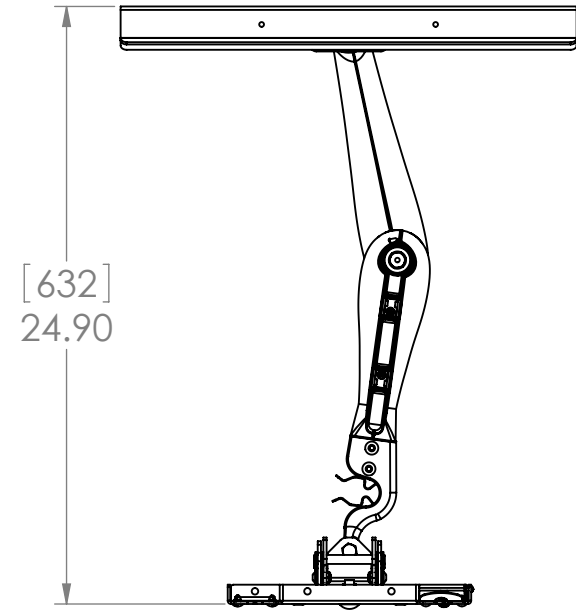
SHEET SCALE = 1:6

THE INFORMATION AND DESIGNS CONTAINED
 IN THIS DRAWING ARE CONFIDENTIAL AND THE
 PROPRIETARY PROPERTY OF CHIEF MFG., INC.
 NEITHER THIS DESIGN NOR ANY INFORMATION
 CONTAINED IN THIS DRAWING MAY BE
 REPRODUCED OR DISCLOSED TO OTHERS
 WITHOUT THE EXPRESS WRITTEN CONSENT OF
 CHIEF MFG., INC.

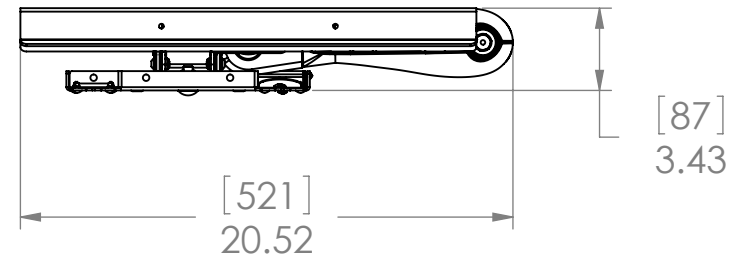
 CHIEF MANUFACTURING, INC. <small>8401 EAGLE CREEK PKWY STE. 700, SAVAGE, MN 55378 1.800.582.6480 * FAX 1.877.894.6918</small>	
TITLE CUSTOMER PRINT MWR-RANGE OF MOTION	
SIZE B	DWG. NO. MWR-RANGE OF MOTION

Unit Depth

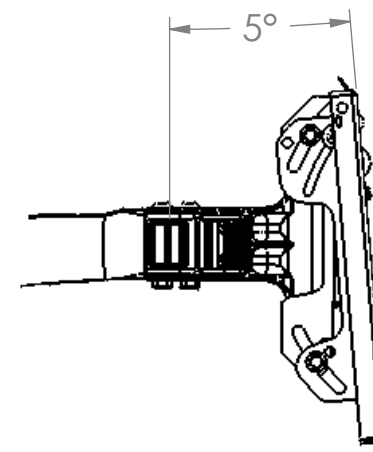
Extended



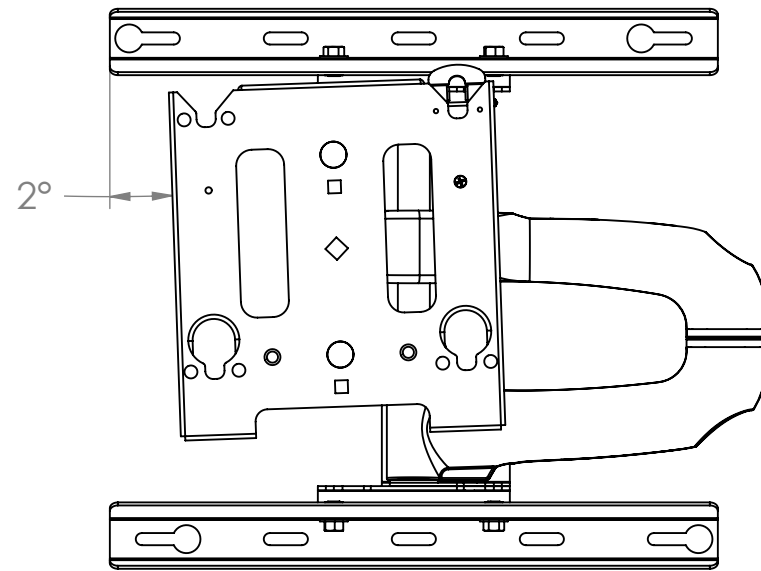
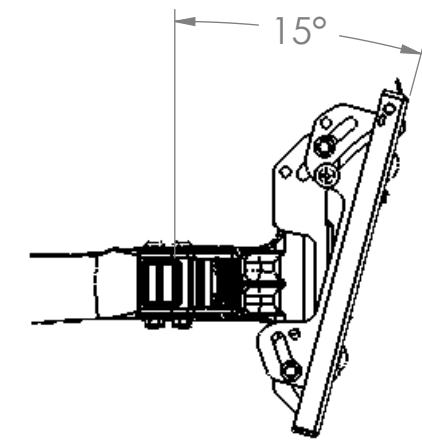
Retracted



Tilted Up



Tilted Down



THE INFORMATION AND DESIGNS CONTAINED
IN THIS DRAWING ARE CONFIDENTIAL AND THE
PROPRIETARY PROPERTY OF CHIEF MFG., INC.
NEITHER THIS DESIGN NOR ANY INFORMATION
CONTAINED IN THIS DRAWING MAY BE
REPRODUCED OR DISCLOSED TO OTHERS
WITHOUT THE EXPRESS WRITTEN CONSENT OF

CHIEF MANUFACTURING, INC.
12800 HWY 13 SOUTH STE. 500 * SAVAGE, MN 55378
1.800.582.6480 * fax 1.877.894.6918

TITLE
B BRACKET ORDER # MWR

BRACKET ORDER # MWR

D

C

B

A