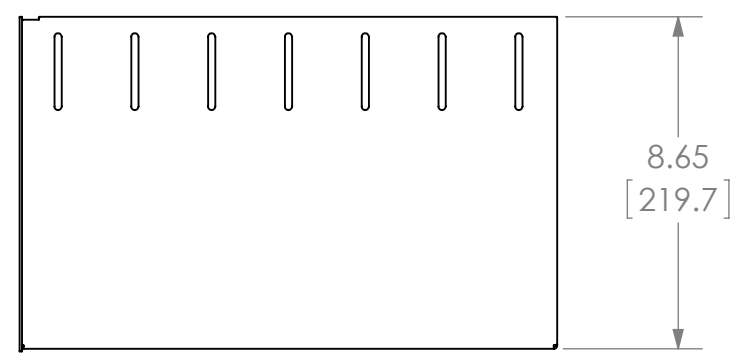
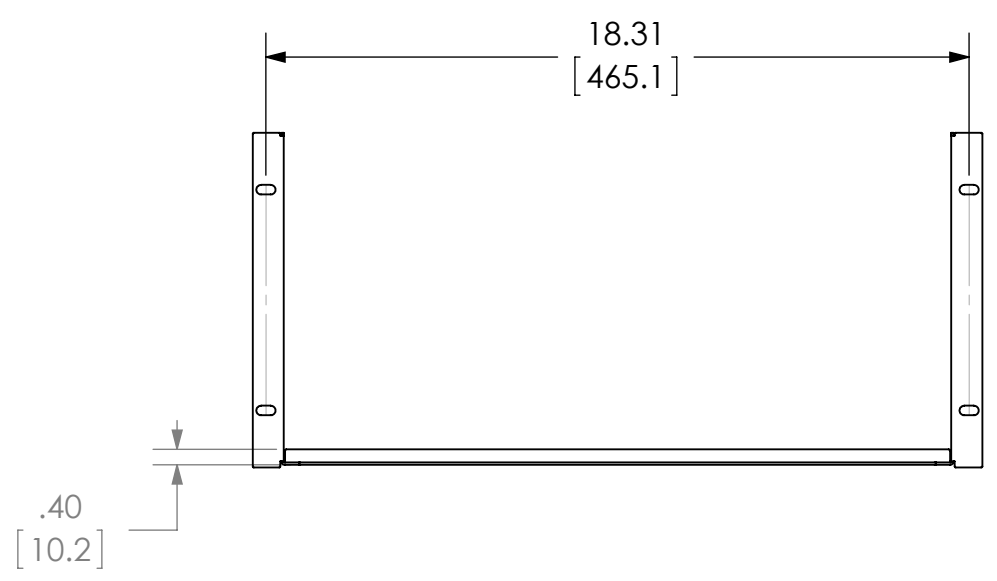
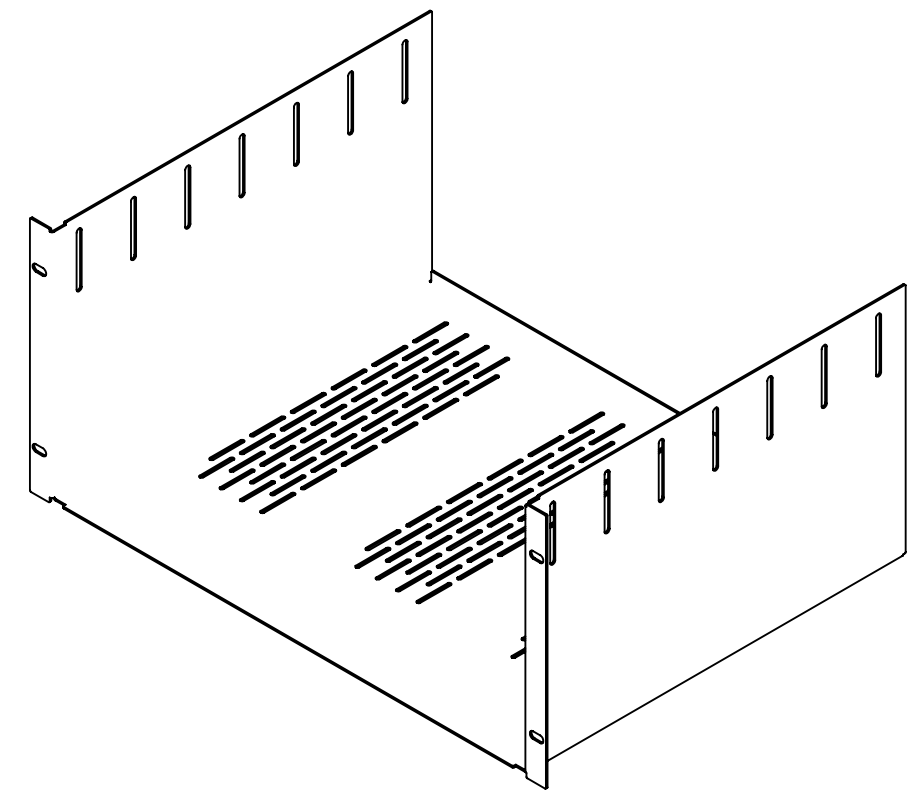
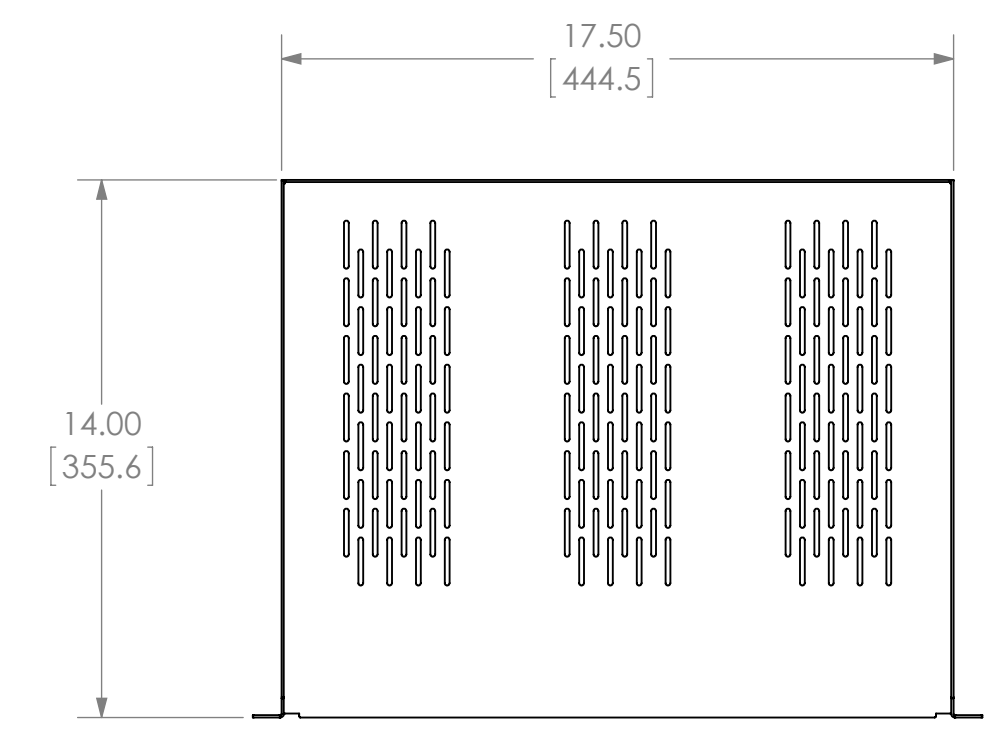


1 2 3 4 5 6 7 8

NACS514

D
C
B
A



D
C
B
A



CHIEF MANUFACTURING
ORDER NUMBER IS NACS514
PHONE: 1-800-582-6480

SHEET SCALE = 1:1

THE INFORMATION AND DESIGNS CONTAINED IN THIS DRAWING ARE CONFIDENTIAL AND THE PROPRIETARY PROPERTY OF MILESTONE AV TECHNOLOGIES. NEITHER THIS DESIGN NOR ANY INFORMATION CONTAINED IN THIS DRAWING MAY BE REPRODUCED OR DISCLOSED TO OTHERS WITHOUT THE EXPRESS WRITTEN CONSENT OF MILESTONE AV TECHNOLOGIES.

	8401 EAGLE CREEK PKY SUITE #700 SAVAGE, MN 55378 PHONE: 952-894-6280 FAX: 877-894-6918
	TITLE CUSTOMER PRINT NACS514
SIZE B	DWG. NO.

1 2 3 4 5 6 7 8