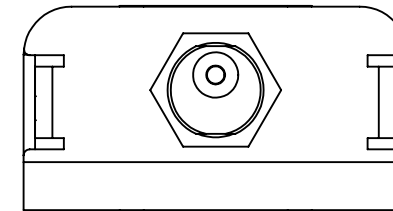
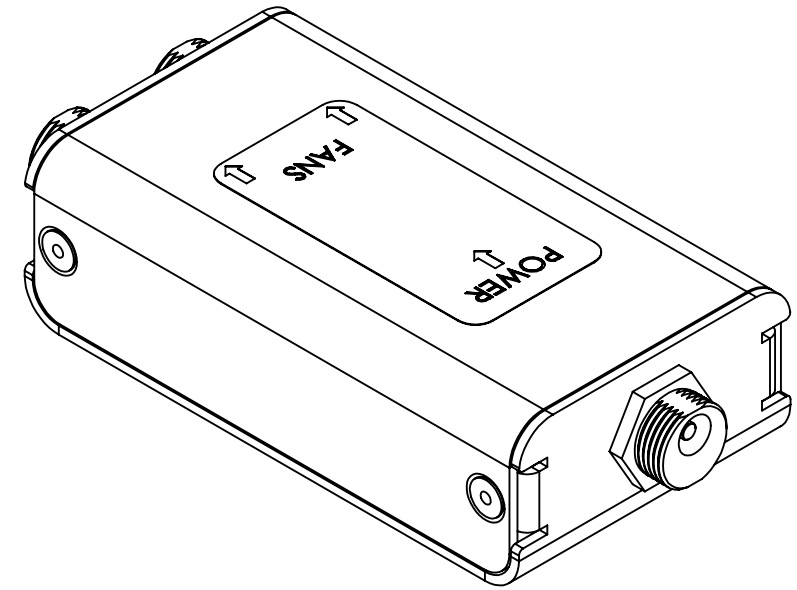
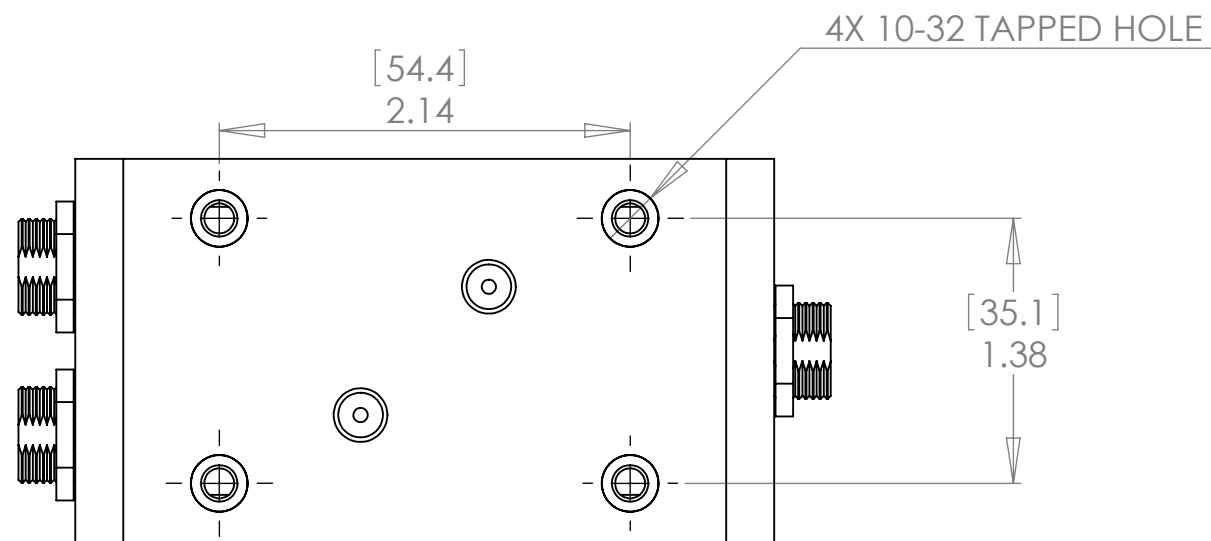
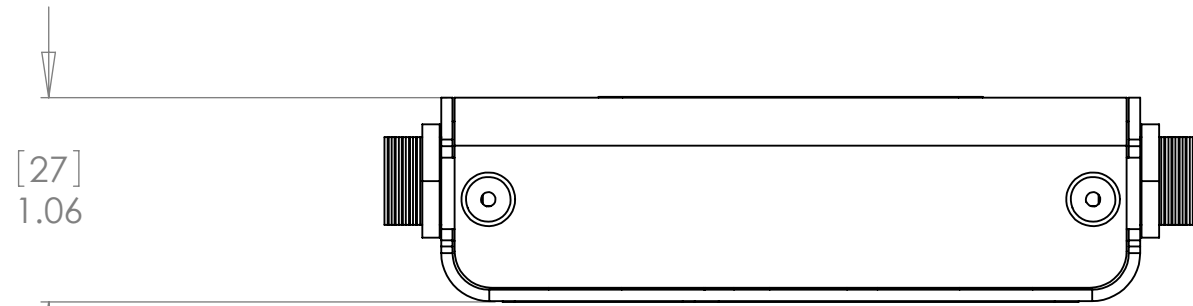
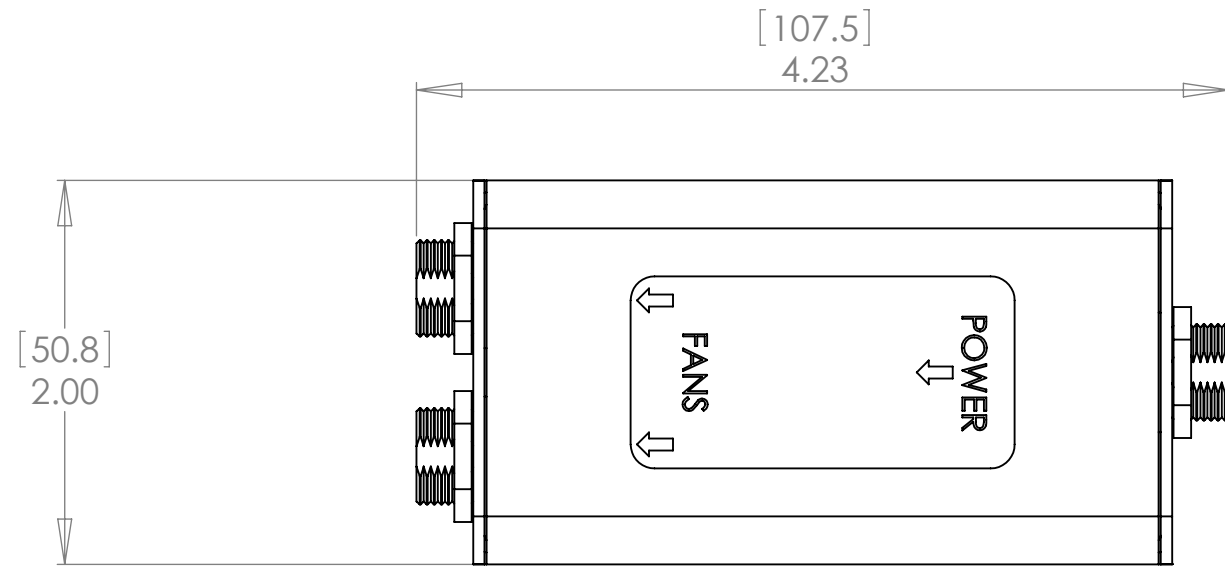


SUPPLY VOLTAGE: 12VDC 30W MAX
 MAX NUMBER OF CONTROLLED DEVICES: 2

OPERATION: FAN UNITS ARE POWERED WHEN DEVICE REACHES 85°F
 FAN UNITS ARE TURNED OFF WHEN DEVICE REACHES 75°F



CHIEF MANUFACTURING INC.
 MOUNT ORDER NUMBER IS NAFT85
 PHONE: 1-800-582-6480

SHEET SCALE = 1:1

THE INFORMATION AND DESIGNS CONTAINED IN THIS DRAWING ARE CONFIDENTIAL AND THE PROPRIETARY PROPERTY OF MILESTONE AV TECHNOLOGIES NEITHER THIS DESIGN NOR ANY INFORMATION CONTAINED IN THIS DRAWING MAY BE REPRODUCED OR DISCLOSED TO OTHERS WITHOUT THE EXPRESS WRITTEN CONSENT OF MILESTONE AV TECHNOLOGIES.



8401 EAGLE CREEK PKY
 SUITE #700
 SAVAGE, MN 55378
 PHONE: 952-894-6280
 FAX: 877-894-6918

TITLE
**CUSTOMER PRINT
 NAFT85**

SIZE DWG. NO.
B NAFT85