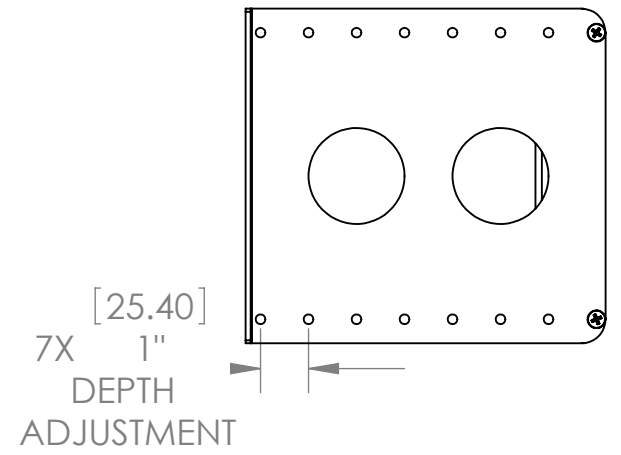
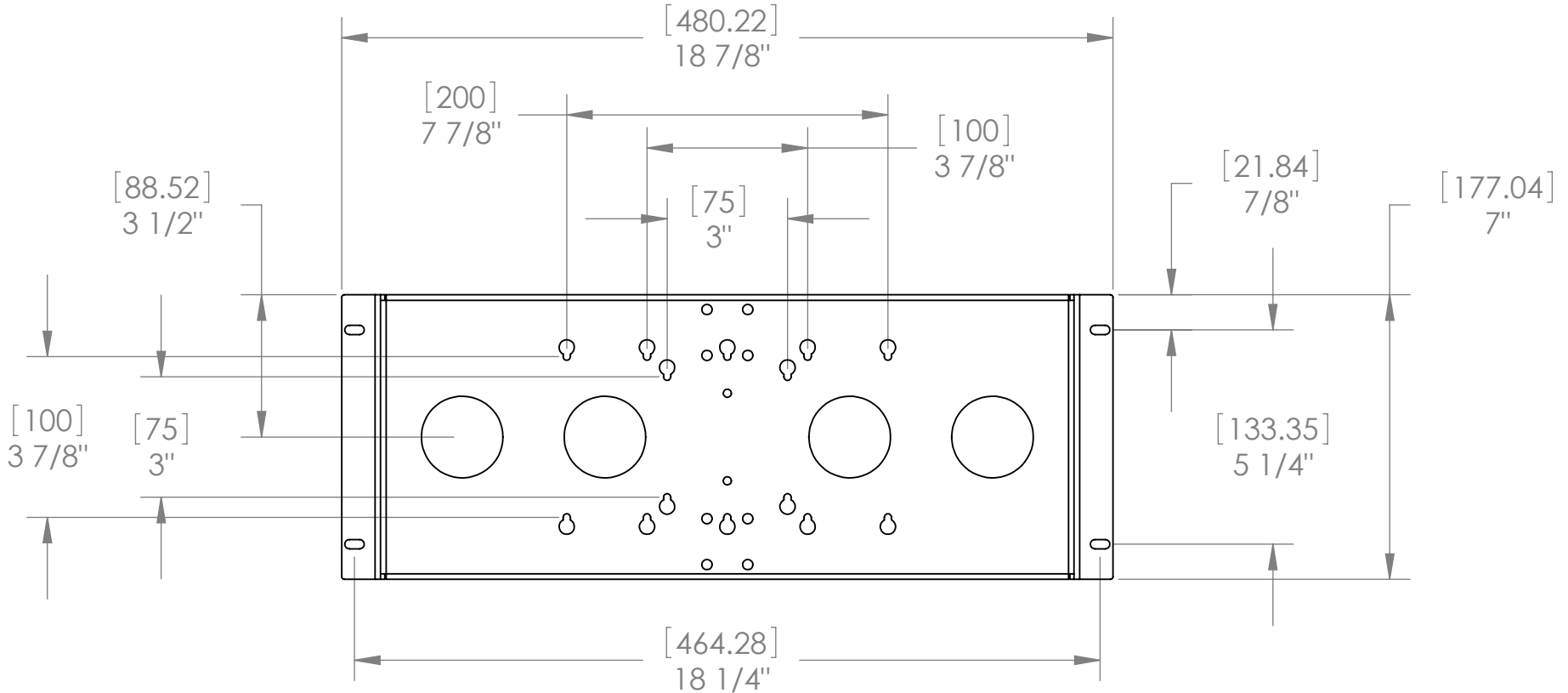
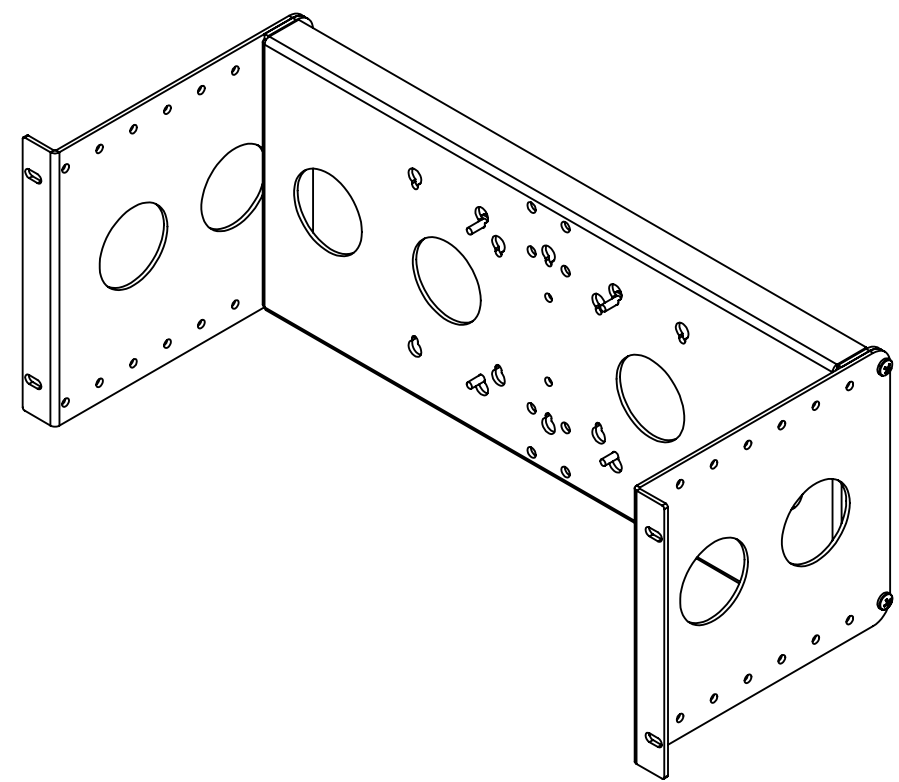
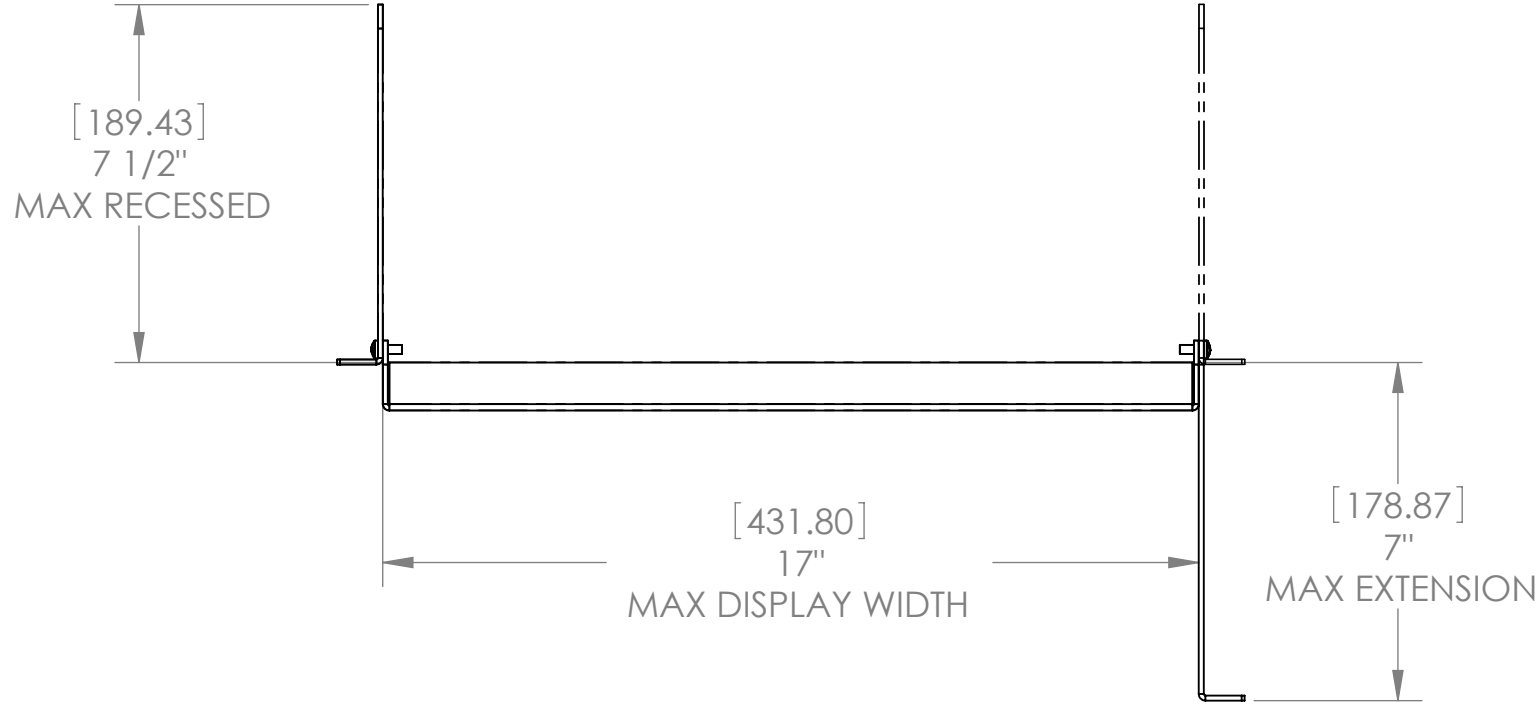


NAM1F  
D  
C  
B  
A

1 2 3 4 5 6 7 8



**CHIEF MANUFACTURING INC.**  
MOUNT ORDER NUMBER IS NAM1F  
PHONE: 1-800-582-6480

SHEET SCALE = 1:4

THE INFORMATION AND DESIGNS CONTAINED IN THIS DRAWING ARE CONFIDENTIAL AND THE PROPRIETARY PROPERTY OF MILESTONE AV TECHNOLOGIES NEITHER THIS DESIGN NOR ANY INFORMATION CONTAINED IN THIS DRAWING MAY BE REPRODUCED OR DISCLOSED TO OTHERS WITHOUT THE EXPRESS WRITTEN CONSENT OF MILESTONE AV TECHNOLOGIES.



8401 EAGLE CREEK PKY  
SUITE #700  
SAVAGE, MN 55378  
PHONE: 952-894-6280  
FAX: 877-894-6918

TITLE  
**CUSTOMER PRINT  
NAM1F**

SIZE DWG. NO.  
**B NAM1F**

1 2 3 4 5 6 7 8

1 2 3 4 5 6 7 8

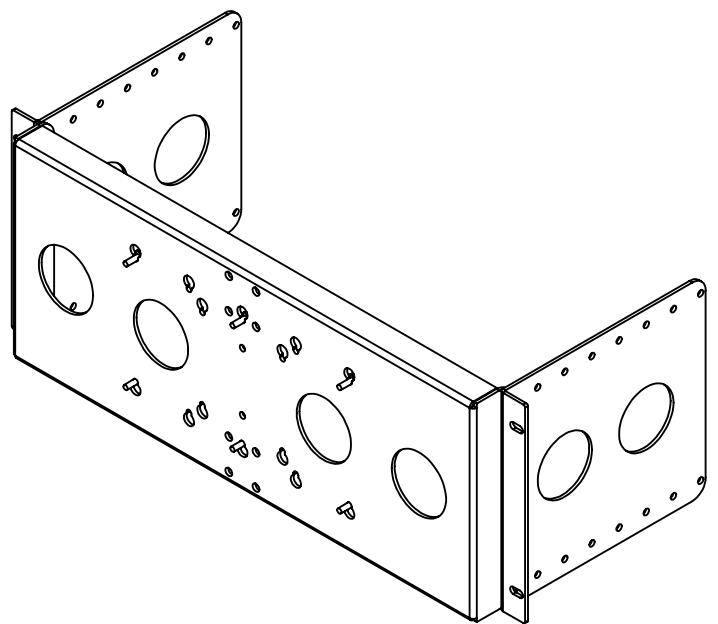
NAM1F

D

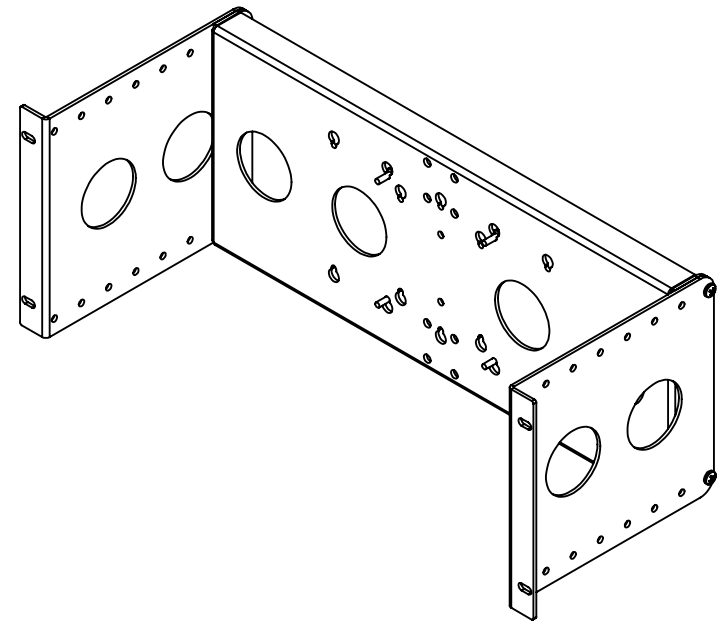
C

B

A



EXTENDED FOR MOUNTING  
DISPLAYS WIDER THAN 17" WIDE



RECESSED FOR FLUSH  
MOUNTING DISPLAYS  
LESS THAN 17" WIDE



**CHIEF MANUFACTURING INC.**  
MOUNT ORDER NUMBER IS NAM1F  
PHONE: 1-800-582-6480

SHEET SCALE = 1:4

THE INFORMATION AND DESIGNS CONTAINED IN THIS DRAWING ARE CONFIDENTIAL AND THE PROPRIETARY PROPERTY OF MILESTONE AV TECHNOLOGIES NEITHER THIS DESIGN NOR ANY INFORMATION CONTAINED IN THIS DRAWING MAY BE REPRODUCED OR DISCLOSED TO OTHERS WITHOUT THE EXPRESS WRITTEN CONSENT OF MILESTONE AV TECHNOLOGIES.



8401 EAGLE CREEK PKY  
SUITE #700  
SAVAGE, MN 55378  
PHONE: 952-894-6280  
FAX: 877-894-6918

TITLE  
**CUSTOMER PRINT  
NAM1F**

SIZE DWG. NO.  
**B NAM1F**

1 2 3 4 5 6 7 8