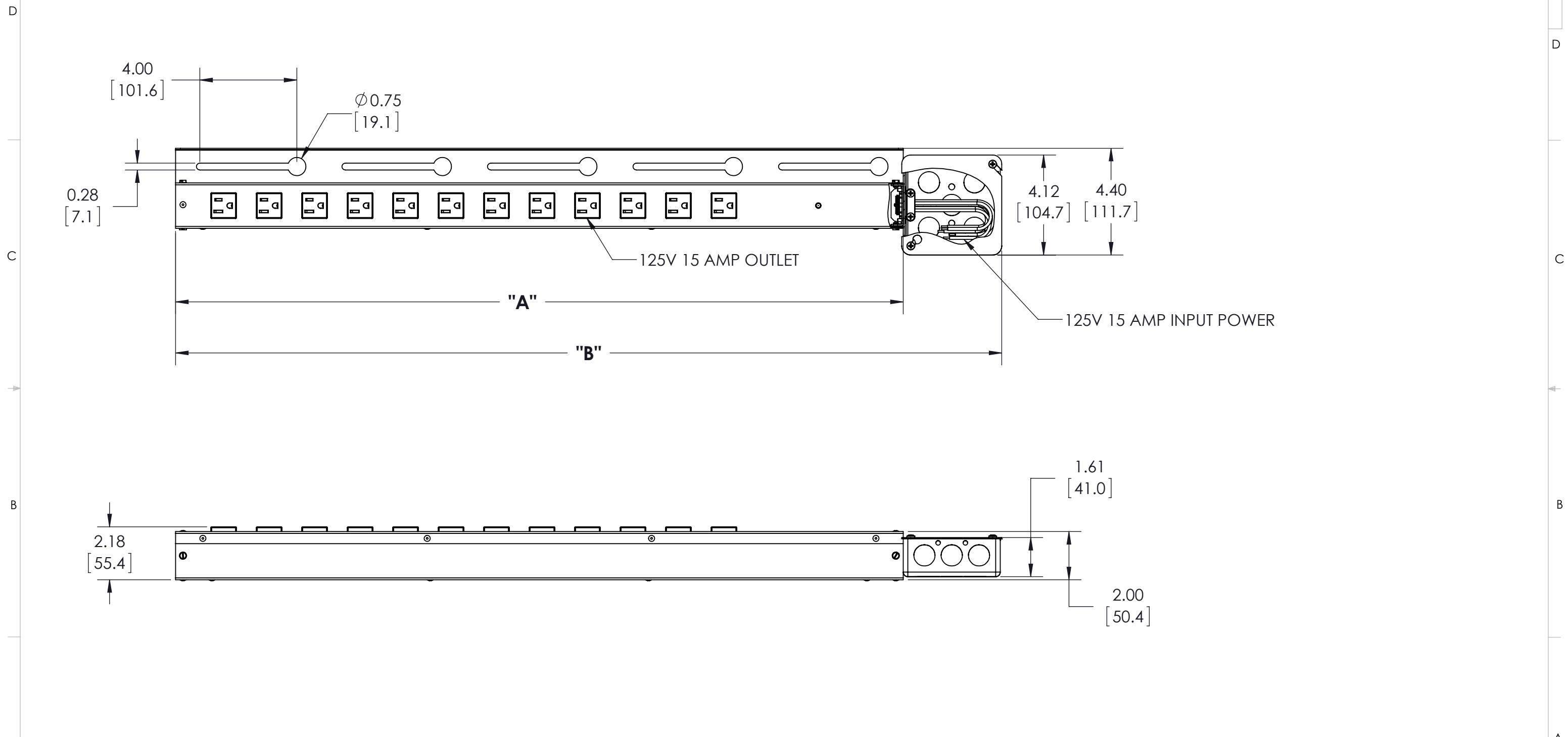


MODEL	CURRENT	NUMBER OF OUTLETS	"A"	"B"
NAPDV06152	15 AMP	6	17.00 [431.8]	21.06 [534.9]
NAPDV12152	15 AMP	12	30.00 [762.0]	34.06 [865.2]
NAPDV18152	15 AMP	18	41.00 [1041.4]	45.06 [1144.5]
NAPDV24152	15 AMP	24	52.25 [1327.2]	56.31 [1430.3]

STATUS 状态: LP 06/07/2012 - RELEASED ON ECO: 500004048

TECH-000067



SYMBOLS 符号	REVISION CHANGE 版本变更	INSPECTION 检验	ITEM NUMBER 编号	REFERENCE DIM. 参考尺寸
	(.XXX)	(.XXX)	(##)	(.XXX)

THE INFORMATION AND DESIGNS CONTAINED IN THIS DRAWING ARE CONFIDENTIAL AND THE PROPRIETARY PROPERTY OF MILESTONE AV TECHNOLOGIES NEITHER THIS DESIGN NOR ANY INFORMATION CONTAINED IN THIS DRAWING MAY BE REPRODUCED OR DISCLOSED TO OTHERS WITHOUT THE EXPRESS WRITTEN CONSENT OF MILESTONE AV TECHNOLOGIES. 本图纸所包含的信息和设计均系 Milestone 机密和知识产权，本图纸所包含的设计和信息在未经 Milestone 允许情况下均不得复制或泄露

THIRD ANGLE PROJECTION 第三角度投影	UNLESS OTHERWISE SPECIFIED 除非另有说明
	X ±.100 [X] ±2.5mm FRACTION 分数 ±1/16 XX ±.030 [X.X] ±.75mm ANGULAR 角度 ±0°30' XXX ±.010 [X.XX] ±.25mm SURFACE FINISH 125 XXXX ±.005 [X.XXX] ±.13mm 表面加工
DIMS. AND TOLERANCES PER ASME Y14.5 - 1994 按照 ASME Y14.5 - 1994 规定的尺寸和公差	MATERIAL 材质
SPECIFICATIONS 规范 8900-000001 8900-000002	
TOOL NO. 模具编号	

CAD GENERATED DRAWING, DO NOT MANUALLY UPDATE. CAD 制作图, 非手工更新	DRAWN BY 绘图者	LRP	6/05/2012
	ENG APPROVAL 工程批准	LRP	6/05/2012
	MFG APPROVAL 制造批准		
	QA APPROVAL 品质批准		
SHEET 清 1 OF 单 1		SCALE 比例	1:4

DESCRIPTION 描述	
POWER STRIP-15A, HARD WIRED	
SIZER 尺寸	DWG. NO. 图纸编号
B	TECH-000067

6436 CITY WEST PKWY EDEN PRAIRIE MN, 55344 PHONE: 866-977-3901 FAX: 877-894-6918	
REV. 修订	00

A