

1 2 3 4 5 6 7 8

BRACKET ORDER # NAV1

D

D

C

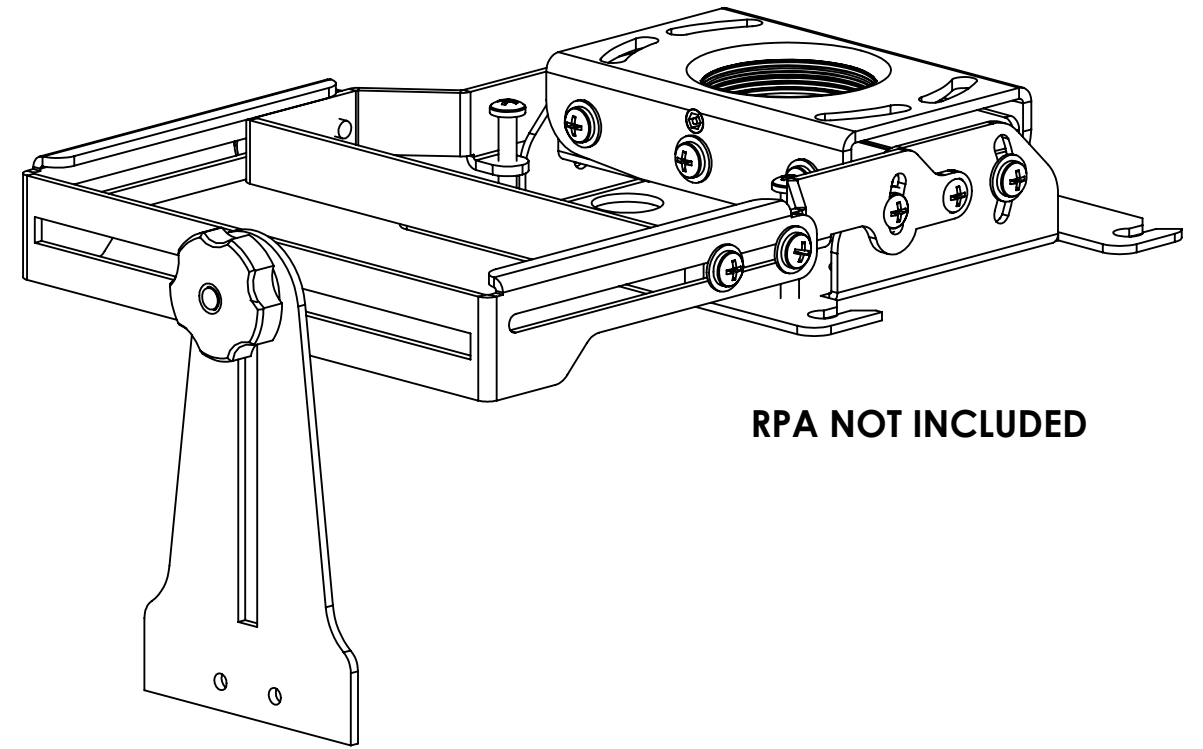
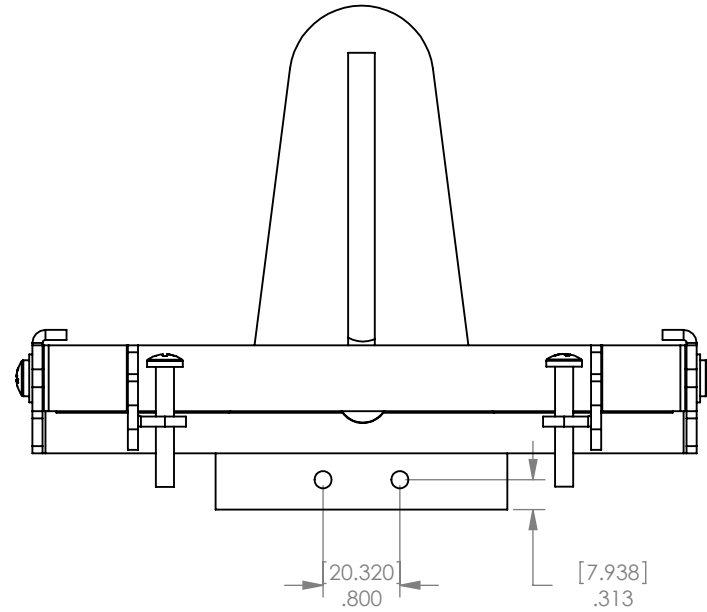
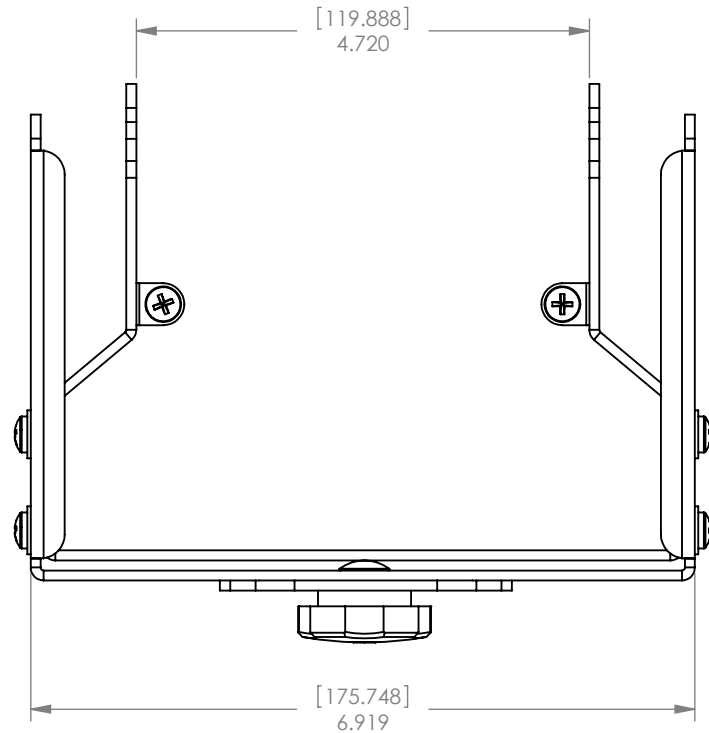
C

B

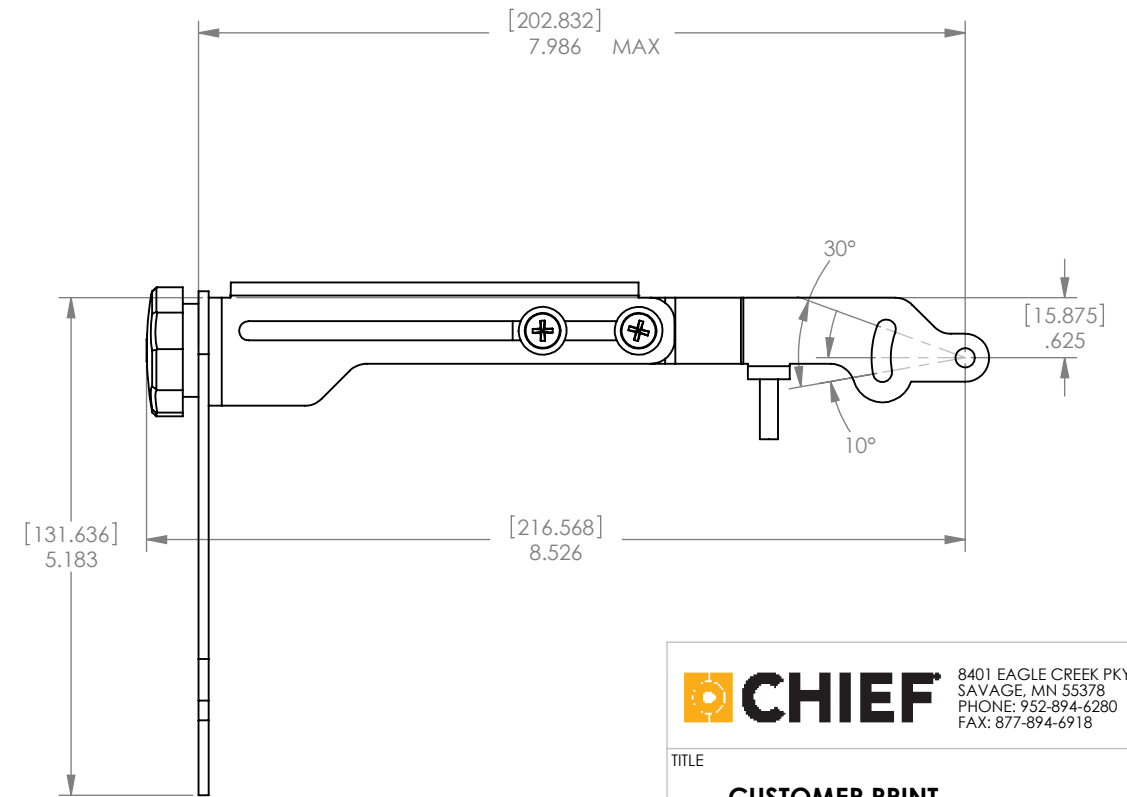
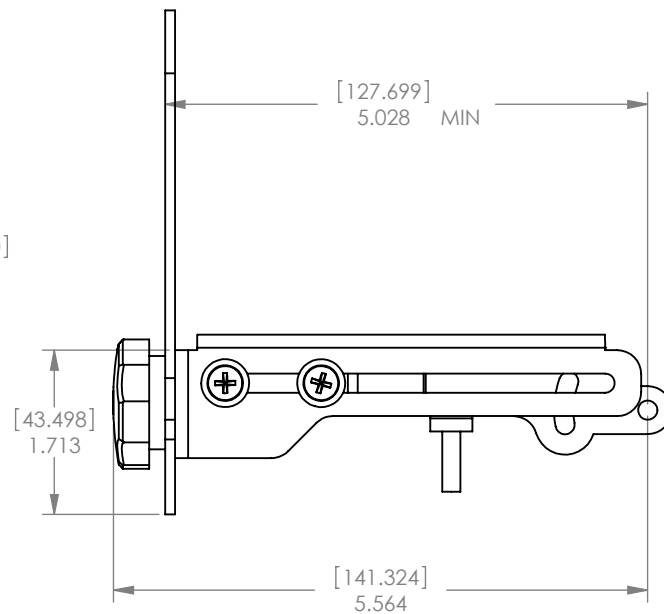
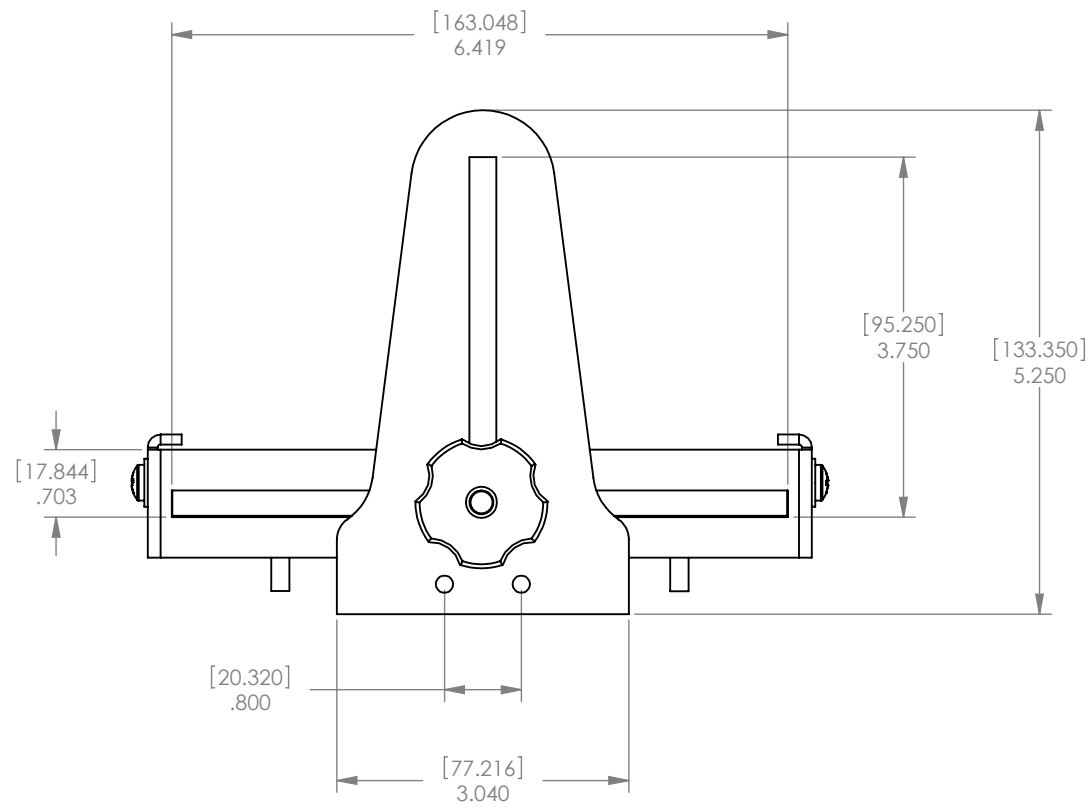
B

A

A



RPA NOT INCLUDED



CHIEF MANUFACTURING INC.

MOUNT ORDER NUMBER IS NAV1
PHONE: 1-800-582-6480



CHIEF 8401 EAGLE CREEK PKY
SAVAGE, MN 55378
PHONE: 952-894-6280
FAX: 877-894-6918

TITLE
**CUSTOMER PRINT
NAV1,**

SIZE | DWG. NO.
B BRACKET ORDER # NAV1

1 2 3 4 5 6 7 8