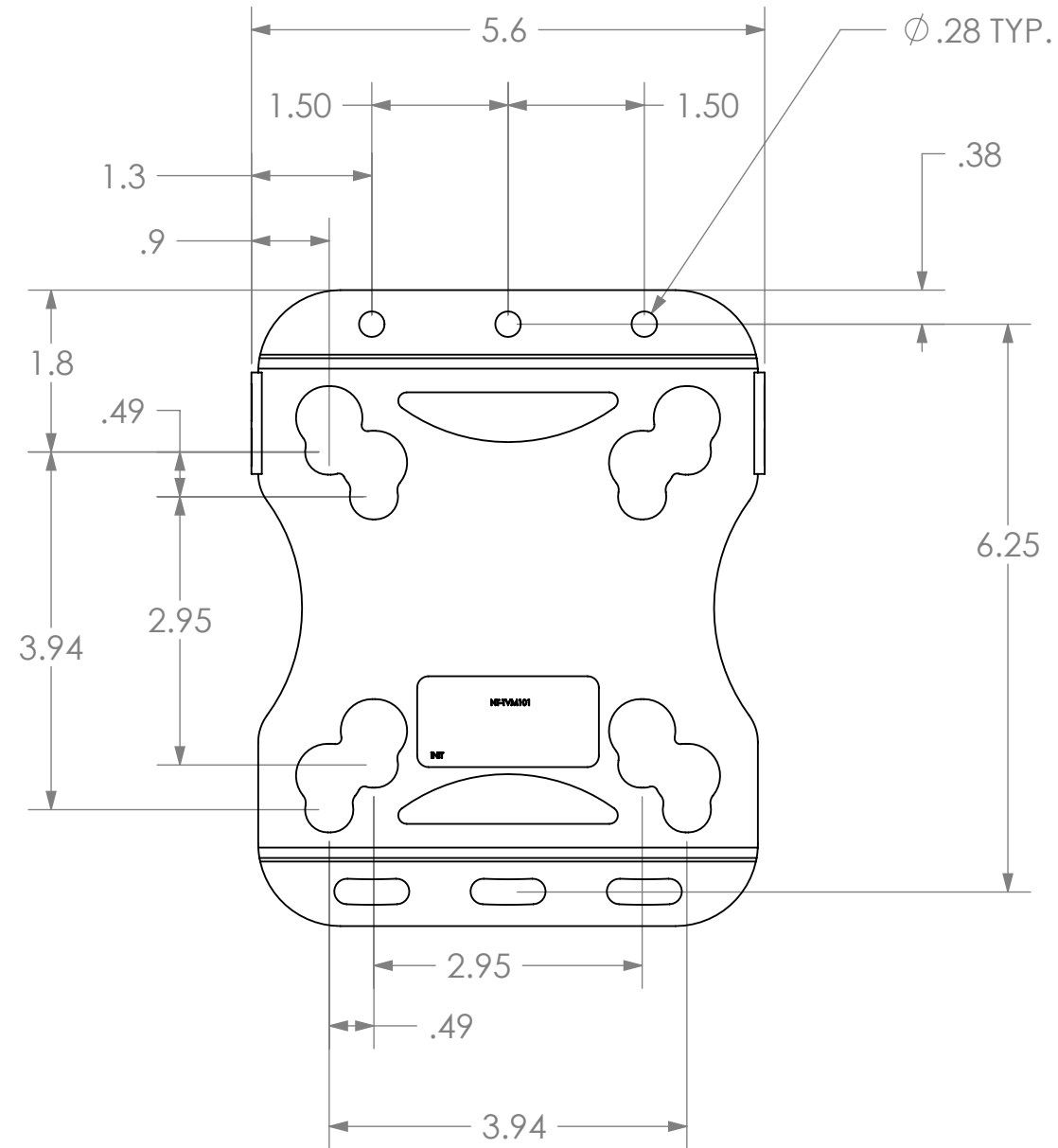
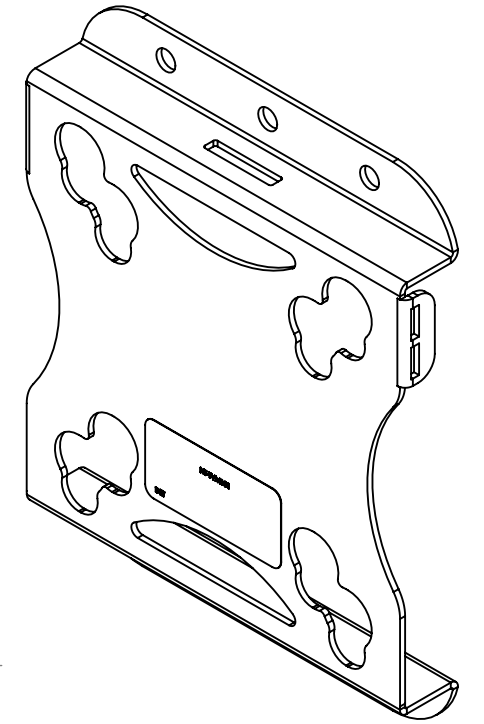
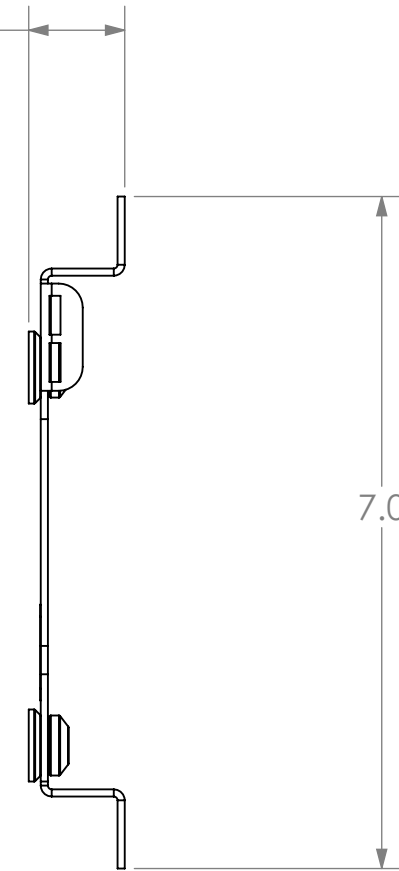


MAXIMUM WEIGHT
CAPACITY: 30 LBS.

VESA MOUNTING PATTERNS:
75mm X 75mm (M4 SCREWS)
100mm X 100mm (M4 SCREWS)



1.0
WITH MOUNTING BUTTONS
AND NO SPACERS



DRAWN BY: NLB	DATE: 6/10/07	REVISION: 00	INIT TECHNICAL DRAWING
<p>THE INFORMATION AND DESIGNS CONTAINED IN THIS DRAWING ARE CONFIDENTIAL AND THE PROPRIETARY PROPERTY OF CSAV INC. NEITHER THIS DESIGN NOR ANY INFORMATION CONTAINED IN THIS DRAWING MAY BE REPRODUCED OR DISCLOSED TO OTHERS WITHOUT THE EXPRESS WRITTEN CONSENT OF CSAV INC.</p>			TITLE
SHEET SCALE = 1:7			CUSTOMER PRINT NT-TVM101
			SIZE B
			SHEET 1 OF 1