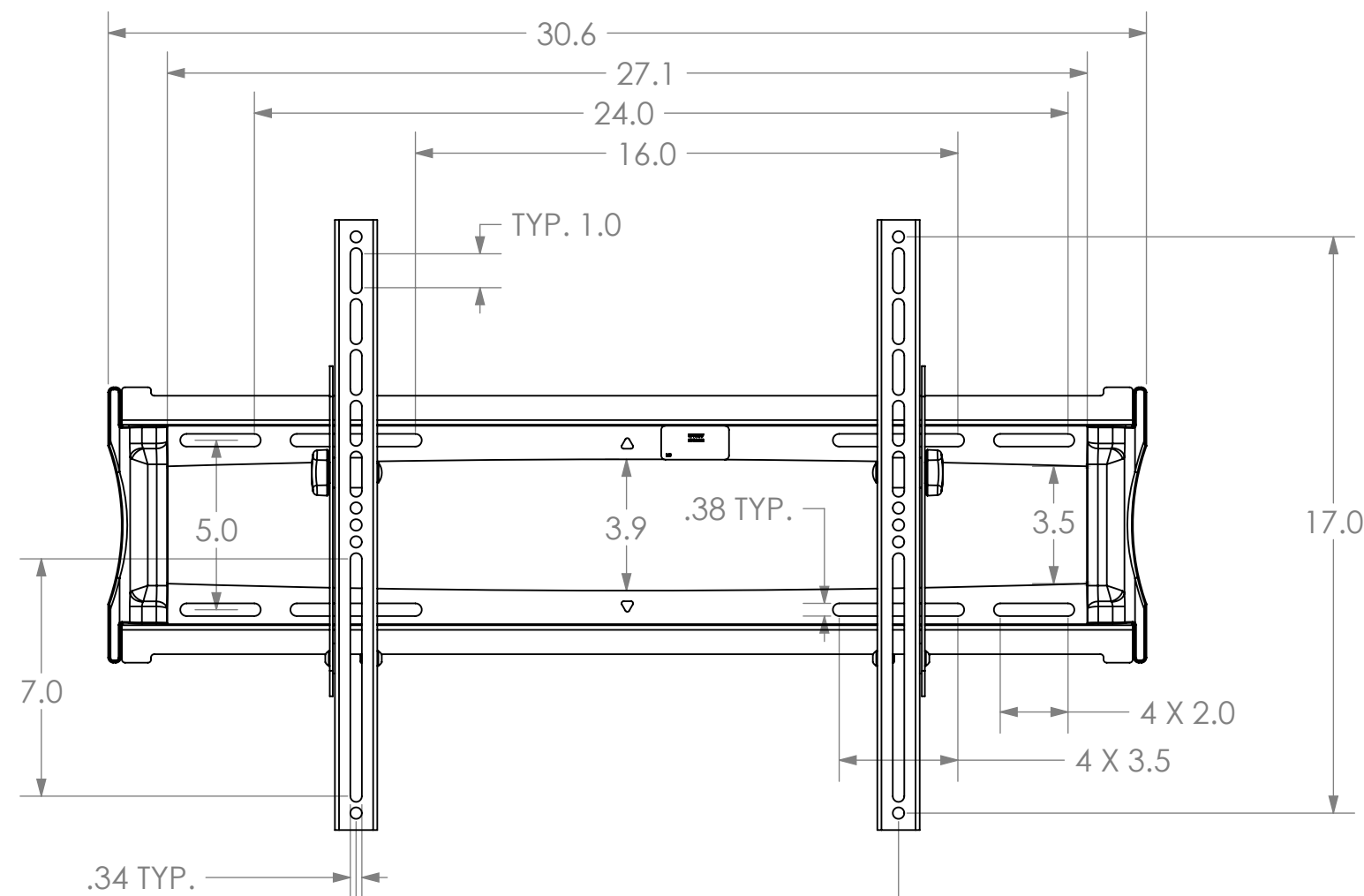
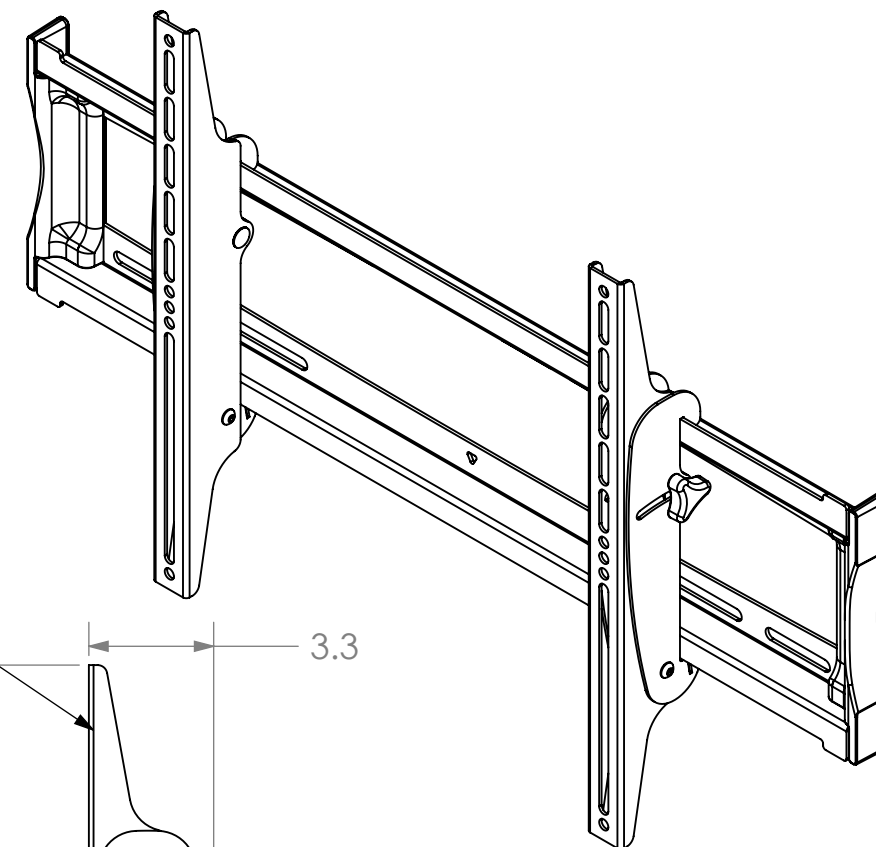
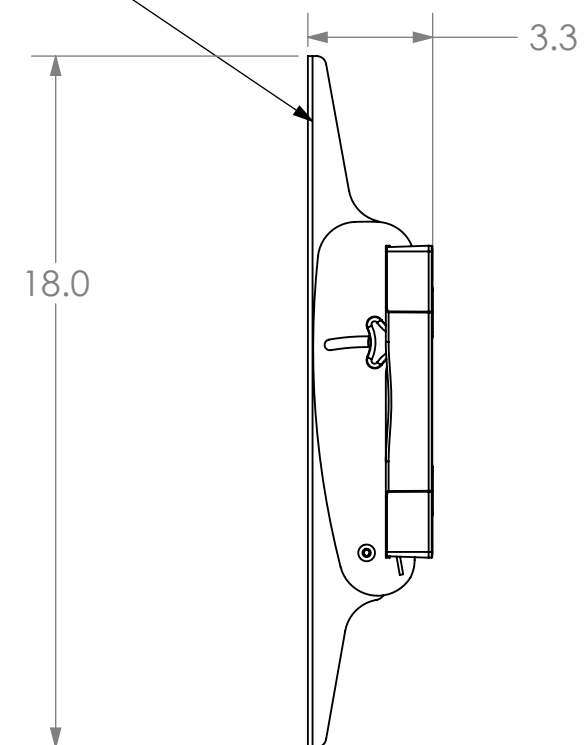


MAXIMUM WEIGHT
CAPACITY: 130 LBS



DIMENSION RANGE:
2.0" MINIMUM TO 26.5" MAX

TILT:
0-15°



SHEET SCALE = 1:7

| | | | |
|---|---------------|--------------|-------------------------------------|
| DRAWN BY: NLB | DATE: 6/10/07 | REVISION: 00 | INIT TECHNICAL DRAWING |
| <p>THE INFORMATION AND DESIGNS CONTAINED IN THIS DRAWING ARE CONFIDENTIAL AND THE PROPRIETARY PROPERTY OF CSAV INC. NEITHER THIS DESIGN NOR ANY INFORMATION CONTAINED IN THIS DRAWING MAY BE REPRODUCED OR DISCLOSED TO OTHERS WITHOUT THE EXPRESS WRITTEN CONSENT OF CSAV INC.</p> | | | TITLE |
| | | | CUSTOMER PRINT NT-TVM108 |
| | | | SIZE B |
| | | | SHEET 1 OF 1 |