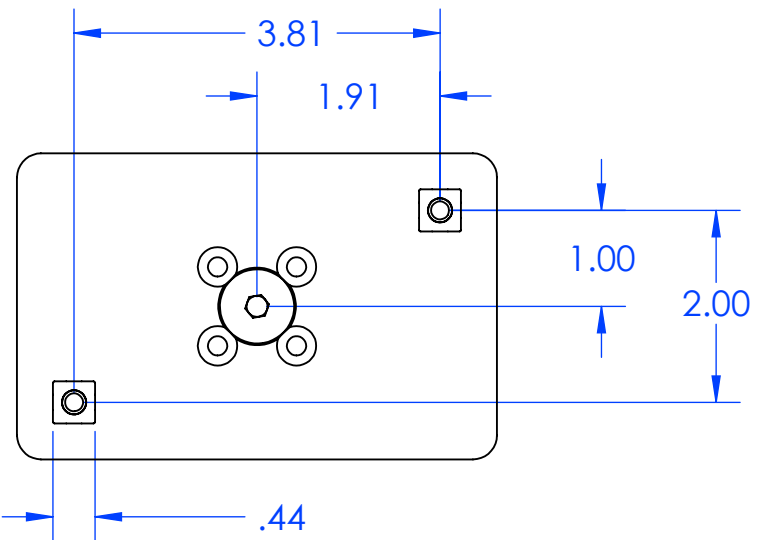
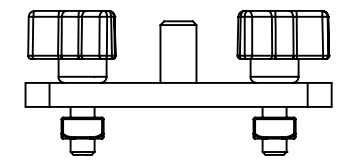
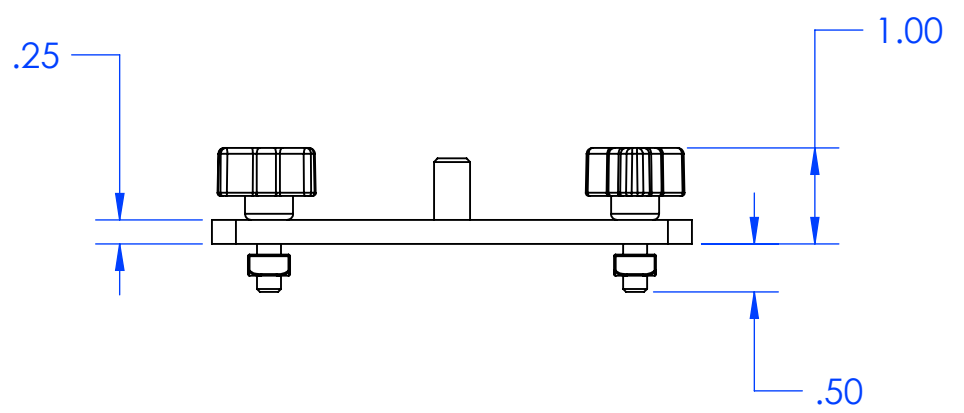
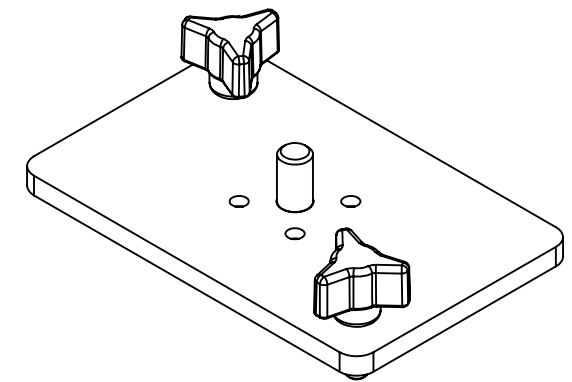
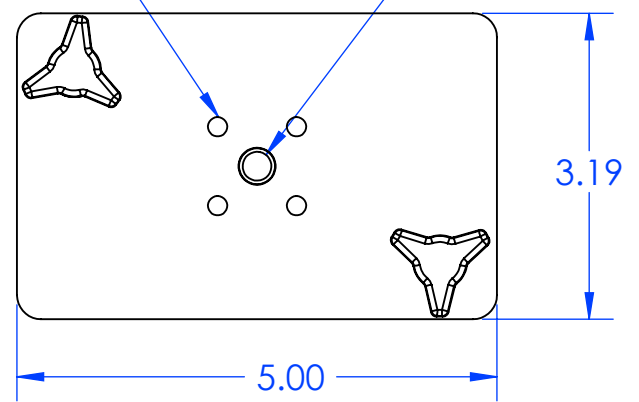


1 2 3 4 5 6 7 8

OFB-214

USED FOR KONTOUR SERIES COLUMN MOUNTS  
SEE KTA1014, KTA1028, KTA1036 AND KTA1048 FOR COMPATIBLE POLES



THE INFORMATION AND DESIGNS CONTAINED IN THIS DRAWING ARE CONFIDENTIAL AND THE PROPRIETARY PROPERTY OF CHIEF MFG., INC. NEITHER THIS DESIGN NOR ANY INFORMATION CONTAINED IN THIS DRAWING MAY BE REPRODUCED OR DISCLOSED TO OTHERS WITHOUT THE EXPRESS WRITTEN CONSENT OF CHIEF MFG., INC.

**CHIEF**  
8401 EAGLE CREEK PKY  
SUITE #700  
SAVAGE, MN 55378  
PHONE: 952-894-6280  
FAX: 877-894-6918

TITLE  
**CUSTOMER PRINT  
OFB-214  
INNOVANT RAIL ADAPTER**

SIZE | DWG. NO.  
**B | OFB-214**

1 2 3 4 5 6 7 8

A