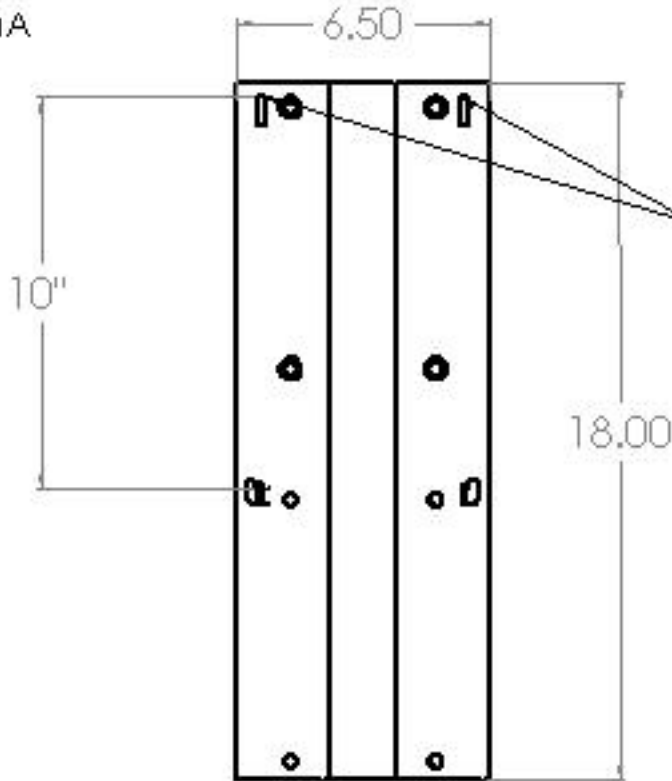


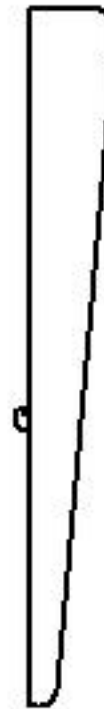
PAB-1 LOWERS PLASMA  
APPROXIMATELY 10"



HOOKS ON MOUNT  
FIT INTO SLOTS



REV	DESCRIPTION	DATE	CHK	APP



THE INFORMATION AND DESIGNS CONTAINED  
IN THIS DRAWING ARE CONFIDENTIAL AND THE  
PROPRIETARY PROPERTY OF CHIEF MFG., INC.  
NEITHER THIS DESIGN NOR ANY INFORMATION  
CONTAINED IN THIS DRAWING MAY BE  
REPRODUCED OR DISCLOSED TO OTHERS  
WITHOUT THE EXPRESS WRITTEN CONSENT OF  
CHIEF MFG., INC.



SIZE AND DIMENSIONS  
ARE IN INCHES UNLESS  
OTHERWISE SPECIFIED

REV	DESCRIPTION	DATE	CHK	APP
X 1	1.25mm X 1.100	01/20/09	JAE	JAE
X 2	1.25mm X 1.010		JAE	JAE
X 3	1.25mm X 1.010		JAE	JAE
X 4	1.1mm X 1.000		JAE	JAE

ANGULAR ± 0.05°

SUBJECT MAT: IN

DATE	CHK	APP
01/20/09	JAE	JAE
	JAE	JAE
	JAE	JAE

**CHIEF** MFG., INC.  
3400 W. 10TH AVENUE, SUITE 100  
DENVER, CO 80202  
TEL: 303.751.1000  
WWW.CHIEFMFG.COM

PAB-1