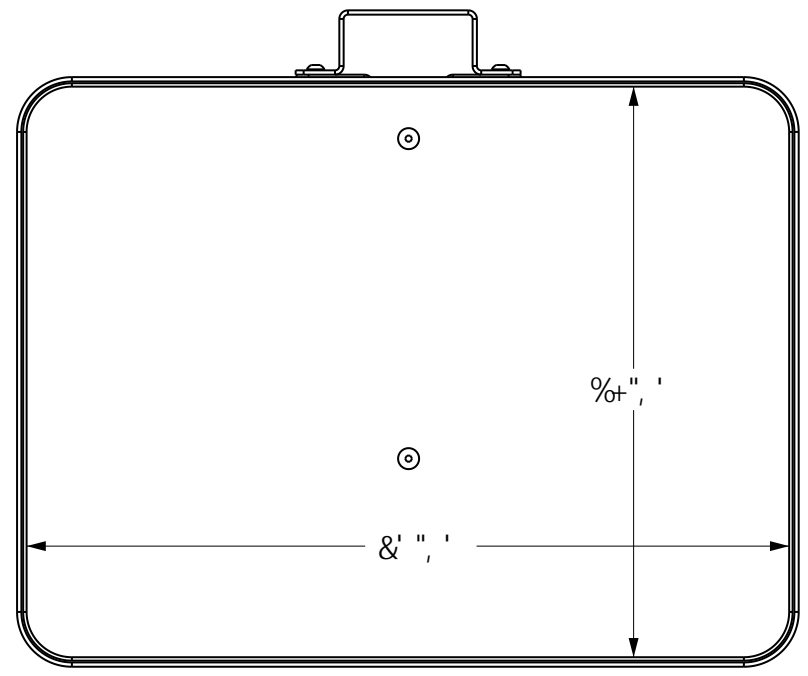
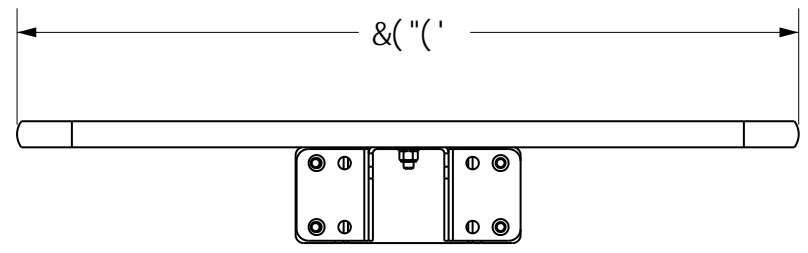


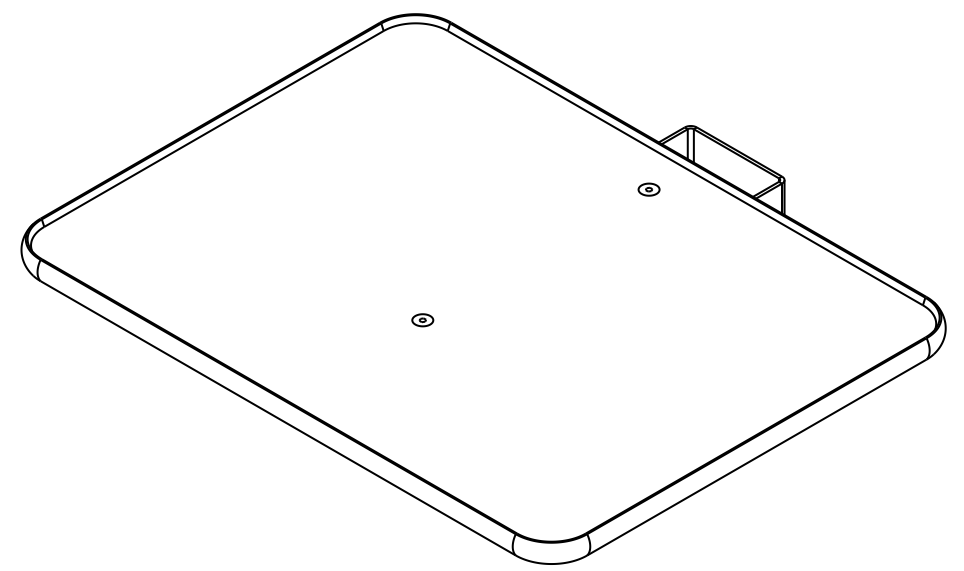
8



7

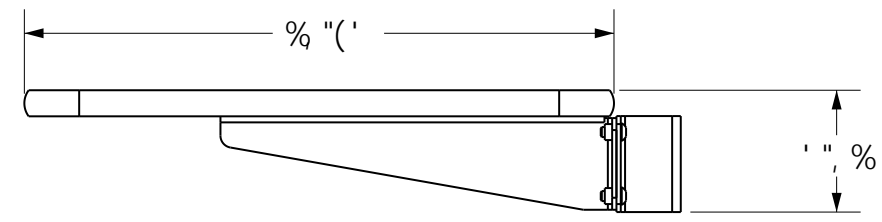


6



8

7



6



7 < 9: A 5BI : 57H F-B; 'B7"
 A CI BHC F89F BI A 69F 'GD57!%\$\$
 D<CB9.% , \$\$!), &* (, \$

G<99HG7 5 @'1 '%*

H<9-B: CFA 5HCB '5B8'89G- BG7CBH5-B98
 -B'K-G'8F5K -B; '5F97CB: -89BH5@5B8'H<9
 DFCDF-9-5FMDFC D9FMC: 7<9: 'A: ; 'Z-B7"
 B9H<9F'H-G'89G- B'BCF'5BM-B: CFA 5HCB
 7CBH5-B98 -B'K-G'8F5K -B; 'A 5M69
 F9DFC8I 798'CF'8-67 @G98 HC'CH<9FG
 K H<CI H<99LDF9GGK F#H9B 7CBG9BHC:
 7<9: 'A: ; 'Z-B7"

CHIEF **7 < 9:** A 5BI : 57H F-B; Z-B7"
(\$%95: @97 F997 D7K MG97'+\$S2G5J 5: 92A B')' +,
%,\$\$), 8*(. \$ 1 : 5L % , ++; - ('- %

71 GCA 9F DF-BH
D57!%\$\$

G49' BK: *BC*
 6 **D57!%\$\$**

5

5