

9200-000623-XXX

D

C

B

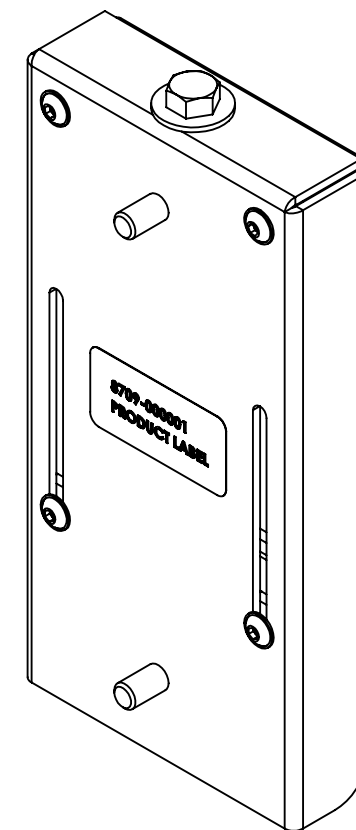
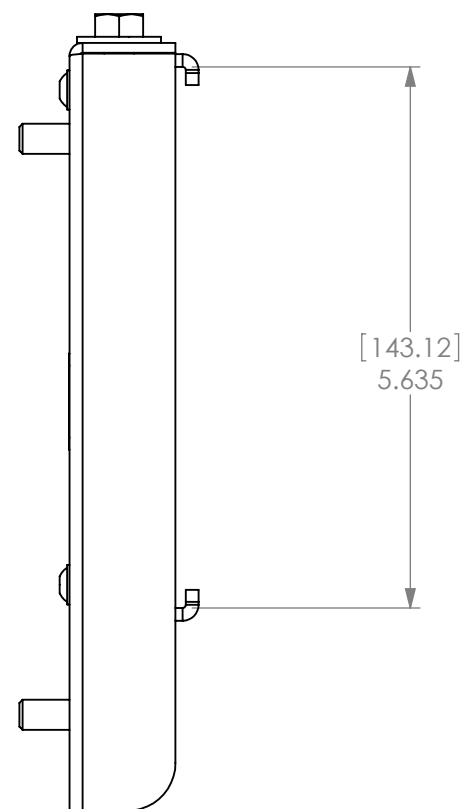
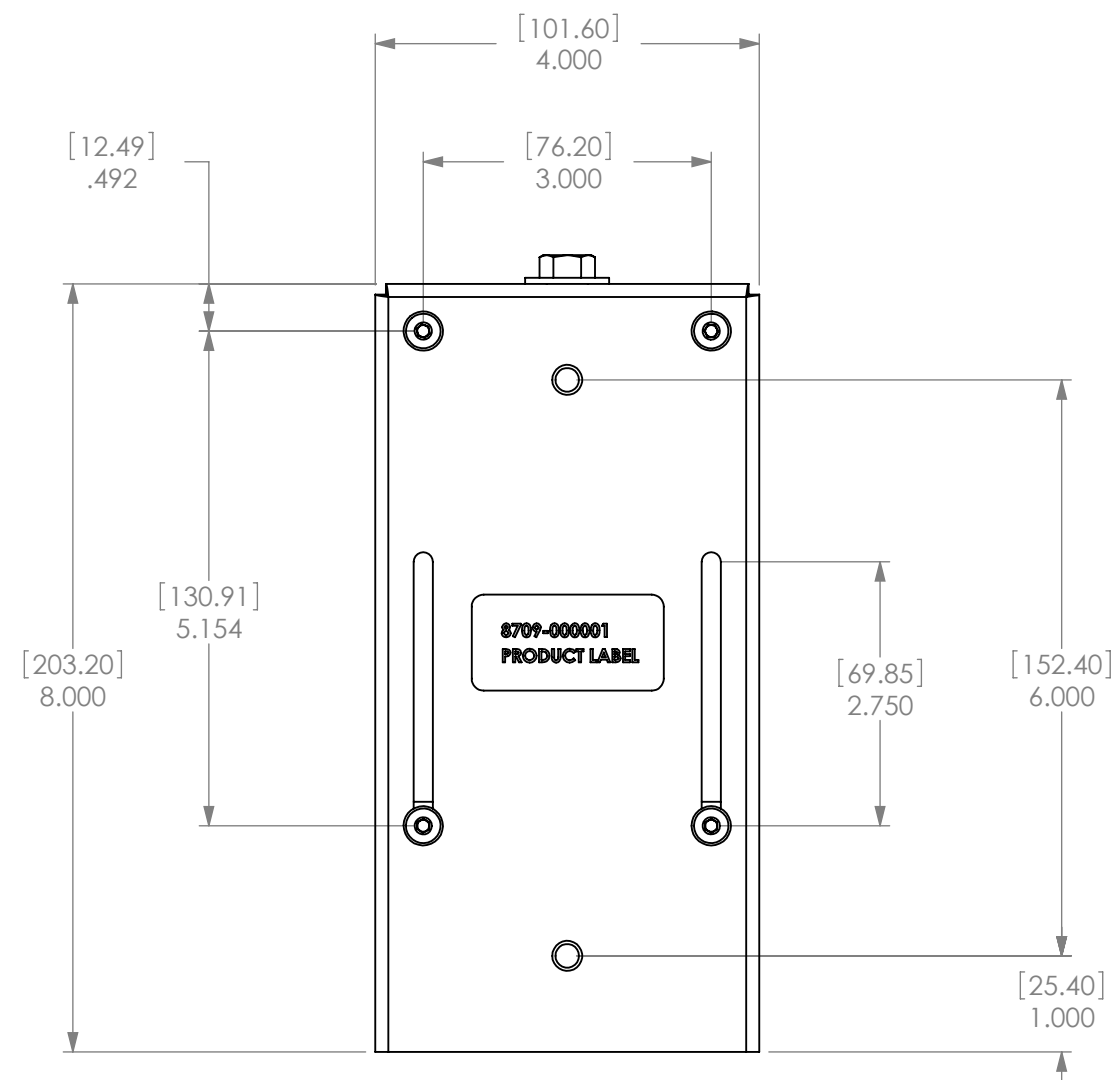
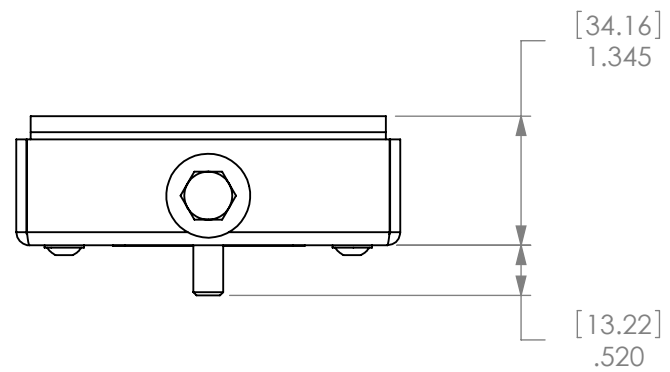
A

D

C

B

A



**CHIEF MANUFACTURING INC.**  
**MOUNT ORDER NUMBER IS PAC391**  
**PHONE: 1-800-582-6480**

SHEET SCALE = 1:2

CONTAINED IN THIS DRAWING MAY BE  
 REPRODUCED OR DISCLOSED TO OTHERS

CHIEF MFG., INC.



8401 EAGLE CREEK PKY  
 SUITE #700  
 SAVAGE, MN 55378  
 PHONE: 952-894-6280  
 FAX: 877-894-6918

TITLE

**CUSTOMER PRINT**  
**PAC391**

SIZE DWG. NO.  
**B PAC391**