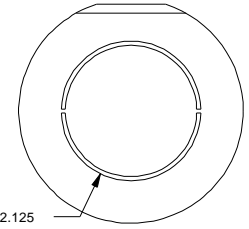
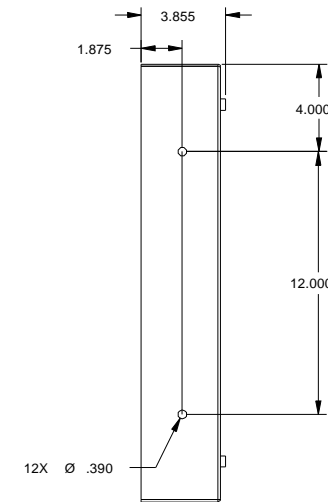
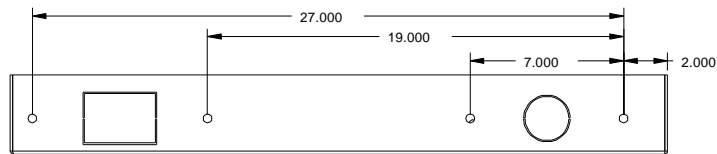
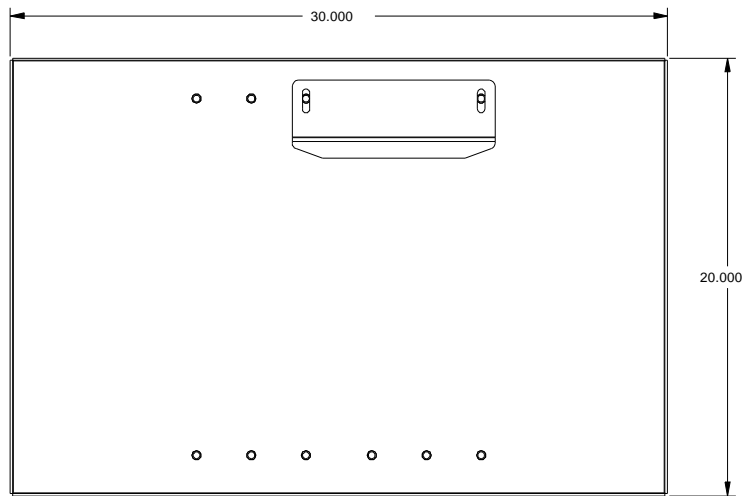


DETAIL A
SCALE 1:2



DETAIL B
SCALE 1:2



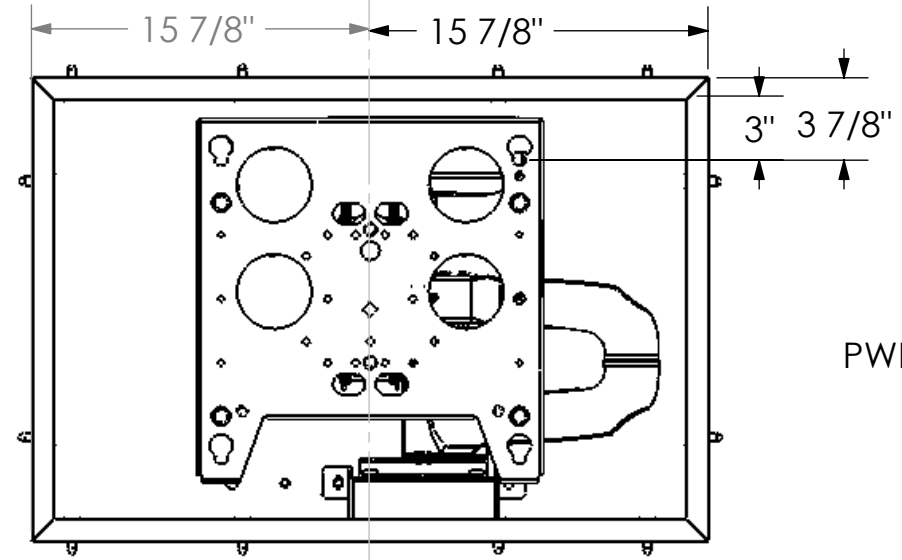
CHIEF MANUFACTURING INC.
MOUNT ORDER NUMBER IS 9200-000381-XXX PAC-500
PHONE: 1-800-582-6480

THE INFORMATION AND DESIGNS CONTAINED
IN THIS DRAWING ARE CONFIDENTIAL AND THE
PROPRIETARY PROPERTY OF CHIEF MFG., INC.
NEITHER THIS DESIGN NOR ANY INFORMATION
CONTAINED IN THIS DRAWING MAY BE
REPRODUCED OR DISCLOSED TO OTHERS
WITHOUT THE EXPRESS WRITTEN CONSENT OF
CHIEF MFG., INC.

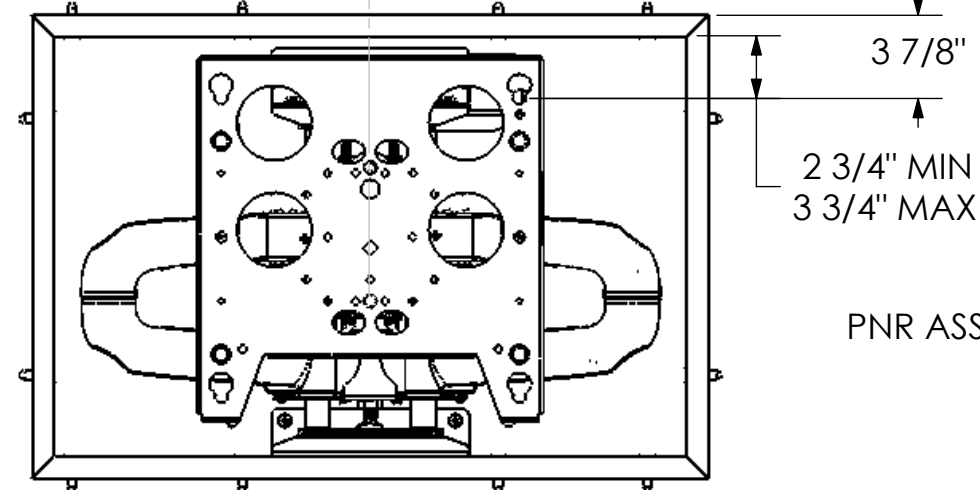
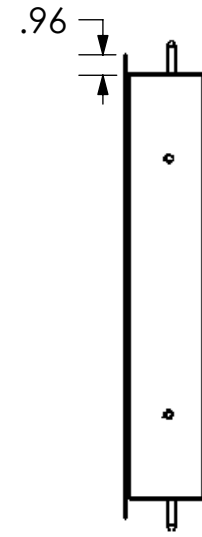
CHIEF MANUFACTURING, INC.
8401 EAGLE CREEK PKWY STE 700, SAVAGE, MN 55378
1-800-582-6480 * FAX 1-877-894-6918

TITL
E
PAC-500

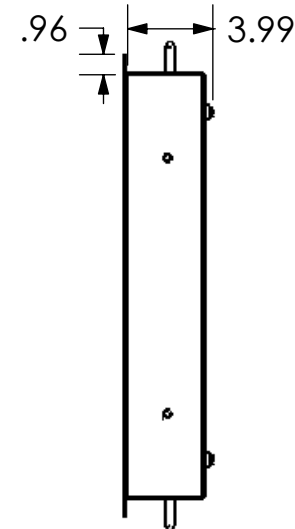
C/L OF SCREEN



PWR ASSEMBLY



PNR ASSEMBLY



PAC-500 ASSEMBLY

D

C

B

A



CHIEF MANUFACTURING INC.
MOUNT ORDER NUMBER IS PAC-500 ASSEMBLY
PHONE: 1-800-582-6480

SHEET SCALE = 1:9

THE INFORMATION AND DESIGNS CONTAINED
IN THIS DRAWING ARE CONFIDENTIAL AND THE
PROPRIETARY PROPERTY OF CHIEF MFG., INC.
NEITHER THIS DESIGN NOR ANY INFORMATION
CONTAINED IN THIS DRAWING MAY BE
REPRODUCED OR DISCLOSED TO OTHERS
WITHOUT THE EXPRESS WRITTEN CONSENT OF
CHIEF MFG., INC.

8401 EAGLE CREEK PKY
SUITE #700
SAVAGE, MN 55378
PHONE: 952-894-6280
FAX: 877-894-6918

TITLE
**CUSTOMER PRINT
PAC-500 ASSEMBLY**

SIZE DWG. NO.
B PAC-500 ASSEMBLY