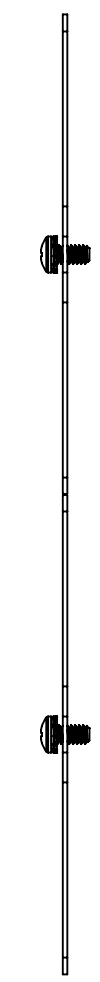
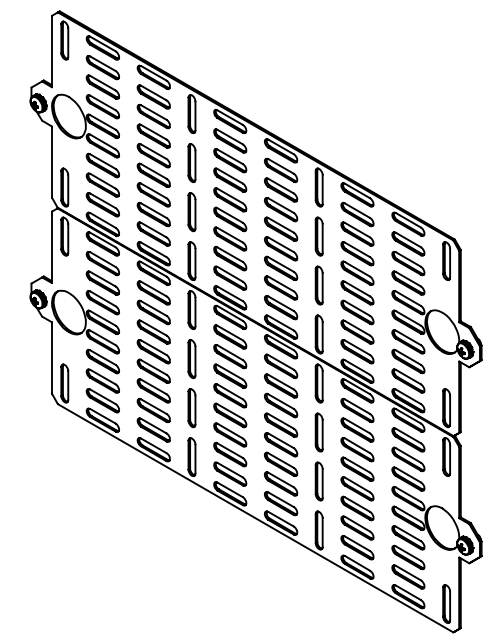
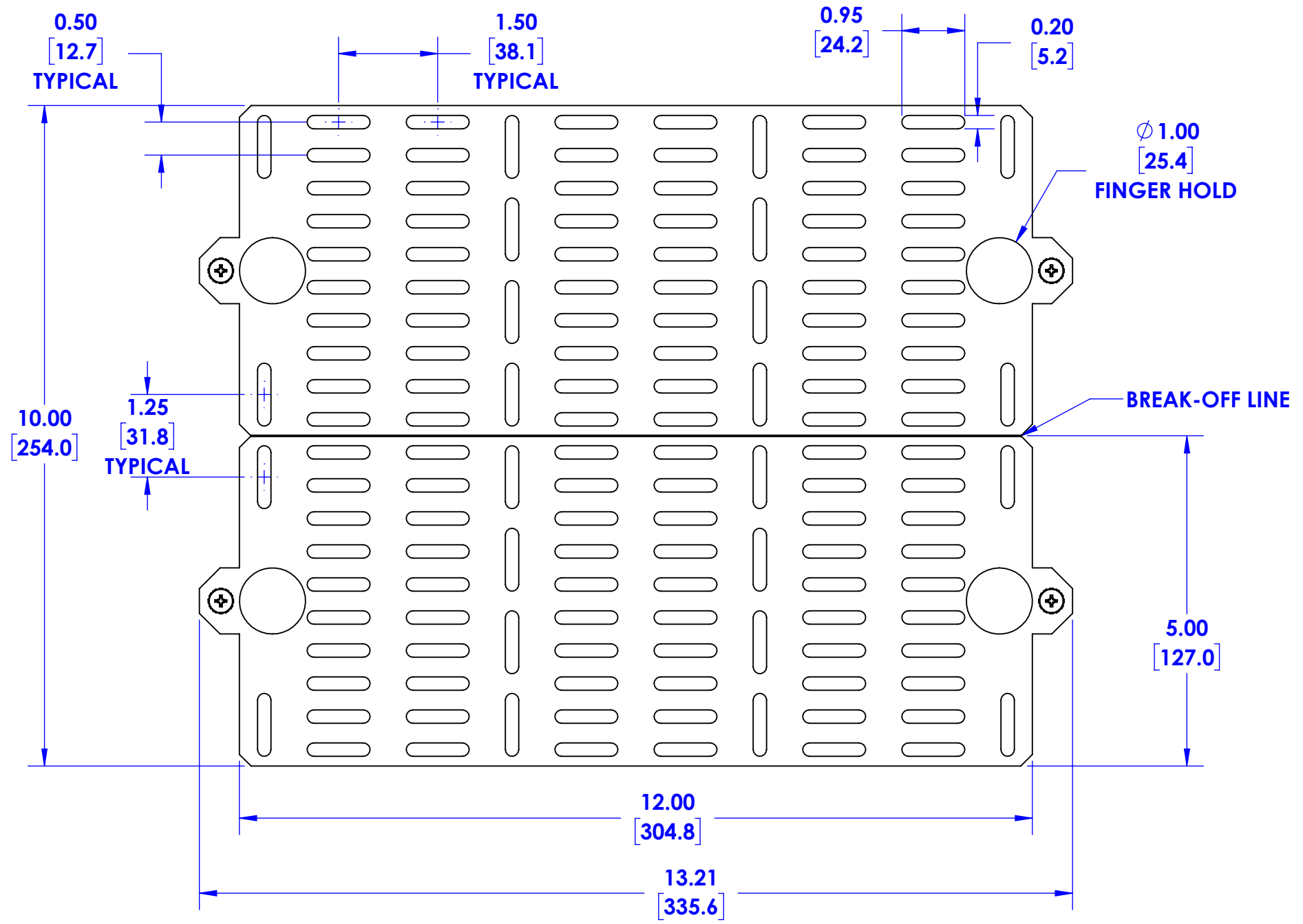


**RECOMMENDED ELECTRICAL BOX:**  
RACO 560 3" X 2" BOX, 2 3/4" DEEP GANGABLE OR EQUIVALENT.

**RECOMMENDED ELECTRICAL BOX COVER:**  
RACO 864 SINGLE DUPLEX

THE INFORMATION AND DESIGNS CONTAINED IN THIS DRAWING ARE CONFIDENTIAL AND THE PROPRIETARY PROPERTY OF MILESTONE AV TECHNOLOGIES NEITHER THIS DESIGN NOR ANY INFORMATION CONTAINED IN THIS DRAWING MAY BE REPRODUCED OR DISCLOSED TO OTHERS WITHOUT THE EXPRESS WRITTEN CONSENT OF MILESTONE AV TECHNOLOGIES.

CAD GENERATED DRAWING, DO NOT MANUALLY UPDATE.			<b>CHIEF</b>	6436 CITY WEST PKWY EDEN PRAIRIE MN, 55344 PHONE: 866-977-3901 FAX: 877-894-6918	
DRAWN BY	HEF	3/24/2017		DESCRIPTION <b>PAC527F, WALL ENCLOSURE, W/FLNG &amp; CVR, 16 X 22</b>	
ENG APPROVAL			MODEL NO. PAC527FC		
MFG APPROVAL			SCALE 1:5		
QA APPROVAL			SIZE B	DWG. NO. TECH-000846	REV. 01
SHEET 1 OF 2					



**NOTE:**  
 1. SCREWS ARE THREADED TO THE BACKPLANE  
 2. TWO PIECES (ONE PIECE SHOWN ABOVE), INCLUDED WITH ENCLOSURE

THE INFORMATION AND DESIGNS CONTAINED IN THIS DRAWING ARE CONFIDENTIAL AND THE PROPRIETARY PROPERTY OF MILESTONE AV TECHNOLOGIES NEITHER THIS DESIGN NOR ANY INFORMATION CONTAINED IN THIS DRAWING MAY BE REPRODUCED OR DISCLOSED TO OTHERS WITHOUT THE EXPRESS WRITTEN CONSENT OF MILESTONE AV TECHNOLOGIES.

CAD GENERATED DRAWING, DO NOT MANUALLY UPDATE.			<b>CHIEF</b> 6436 CITY WEST PKWY EDEN PRAIRIE MN, 55344 PHONE: 866-977-3901 FAX: 877-894-6918
DRAWN BY	HEF	3/24/2017	
ENG APPROVAL			DESCRIPTION <b>PAC527F, WALL ENCLOSURE, W/FLNG &amp; CVR, 16 X 22</b>
MFG APPROVAL			MODEL NO. <b>PAC527FC</b>
QA APPROVAL			SIZE DWG. NO. REV. <b>B TECH-000846 01</b>
SHEET 2 OF 2			SCALE <b>1:5</b>