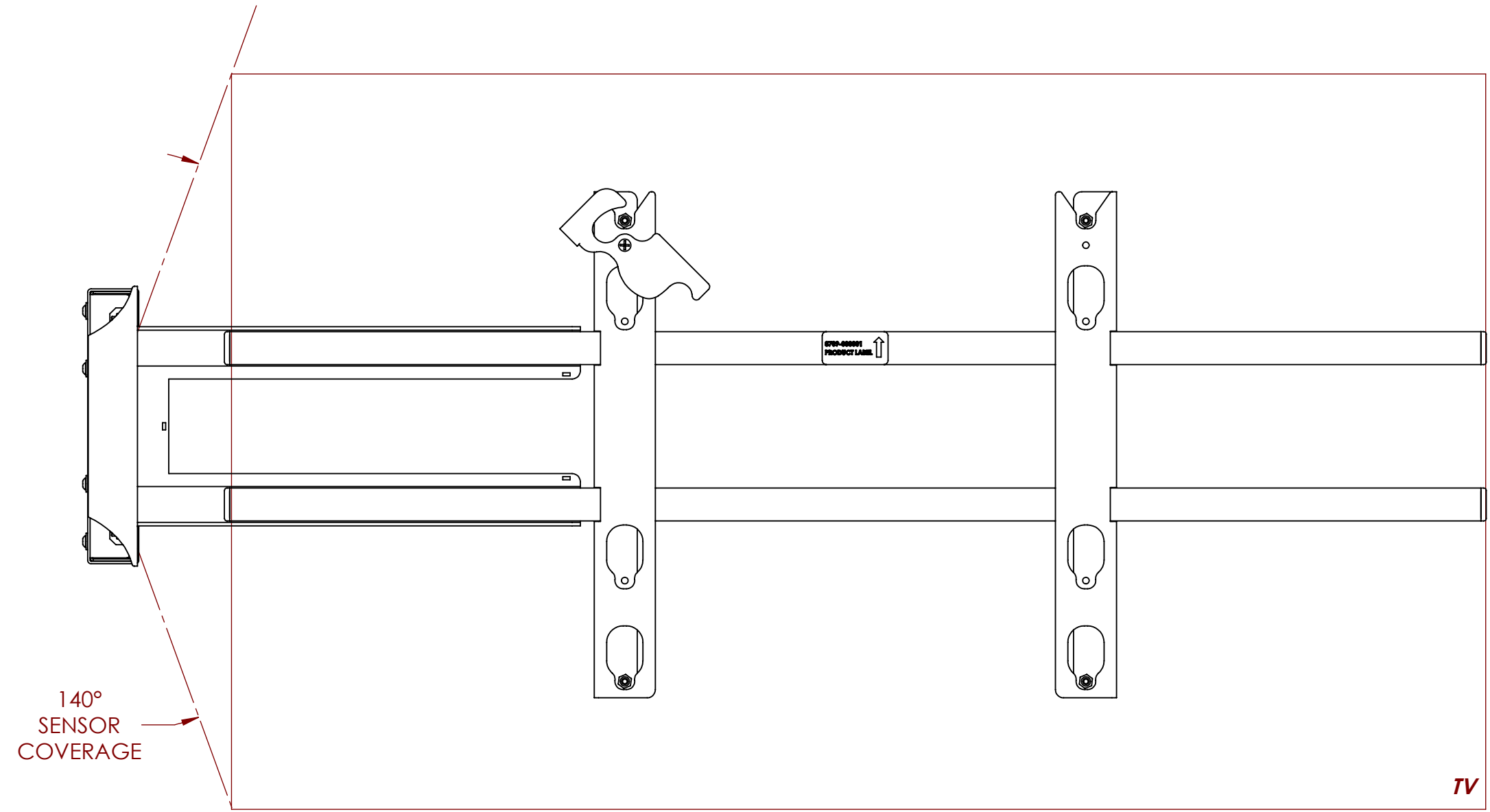
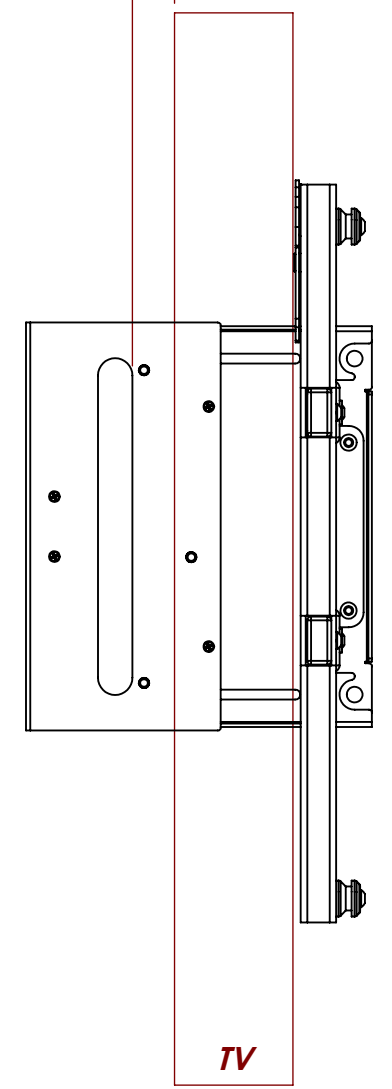


<p><b>THE INFORMATION AND DESIGNS CONTAINED IN THIS DRAWING ARE CONFIDENTIAL AND THE PROPRIETARY PROPERTY OF MILESTONE AV TECHNOLOGIES NEITHER THIS DESIGN NOR ANY INFORMATION CONTAINED IN THIS DRAWING MAY BE REPRODUCED OR DISCLOSED TO OTHERS WITHOUT THE EXPRESS WRITTEN CONSENT OF MILESTONE AV TECHNOLOGIES.</b></p>			CAD GENERATED DRAWING, DO NOT MANUALLY UPDATE.		<p>6436 CITY WEST PKWY EDEN PRAIRIE MN, 55344 PHONE: 866-977-3901 FAX: 877-894-6918</p>		
			DRAWN BY	TLC		3/19/2012	DESCRIPTION
			ENG APPROVAL		3/19/2012	MODEL NO.	PACI
			MFG APPROVAL			SIZE	DWG. NO.
QA APPROVAL			SHEET 1 OF 2	SCALE 1:6	B TECH-000020	00	



0.88  
[22.2]  
RECOMMENDED  
SPACING



140°  
SENSOR  
COVERAGE

**SLIDE SENSOR SO THAT CORNERS OF TV ARE INSIDE COVERAGE AREA  
LIKE SHOWN ABOVE.**

**THE INFORMATION AND DESIGNS CONTAINED IN THIS DRAWING ARE CONFIDENTIAL AND THE PROPRIETARY PROPERTY OF MILESTONE AV TECHNOLOGIES NEITHER THIS DESIGN NOR ANY INFORMATION CONTAINED IN THIS DRAWING MAY BE REPRODUCED OR DISCLOSED TO OTHERS WITHOUT THE EXPRESS WRITTEN CONSENT OF MILESTONE AV TECHNOLOGIES.**

CAD GENERATED DRAWING, DO NOT MANUALLY UPDATE.			<b>CHIEF</b> 6436 CITY WEST PKWY EDEN PRAIRIE MN, 55344 PHONE: 866-977-3901 FAX: 877-894-6918	
DRAWN BY	TLC	3/19/2012	DESCRIPTION <b>INTERACTIVE UPGRADE KIT, CLICK-CONNECT</b>	
ENG APPROVAL		3/19/2012	MODEL NO. <b>PACI</b>	
MFG APPROVAL			SIZE	DWG. NO.
QA APPROVAL			<b>B</b>	<b>TECH-000020</b>
SHEET 2 OF 2		SCALE <b>1:4</b>	REV.	<b>00</b>