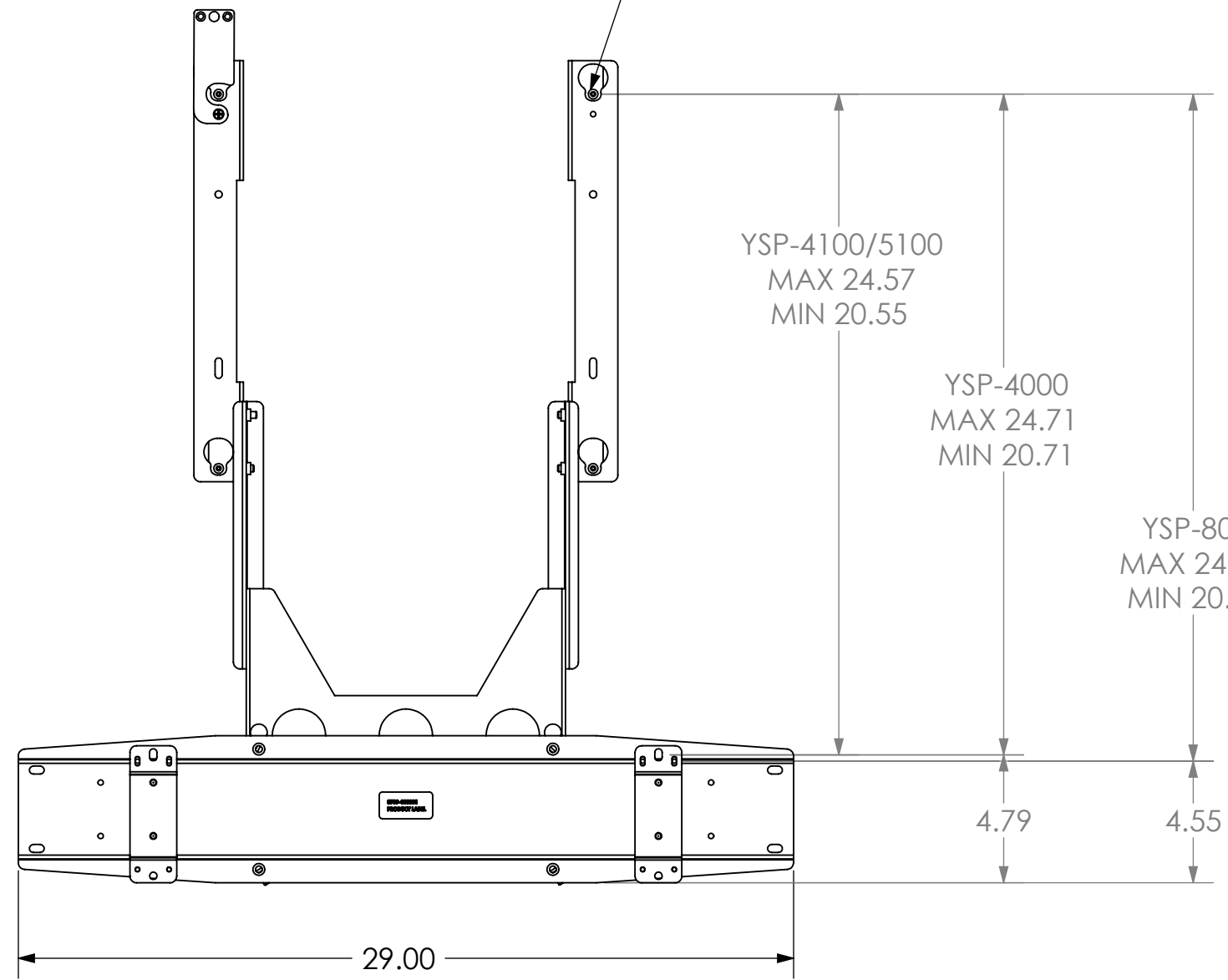


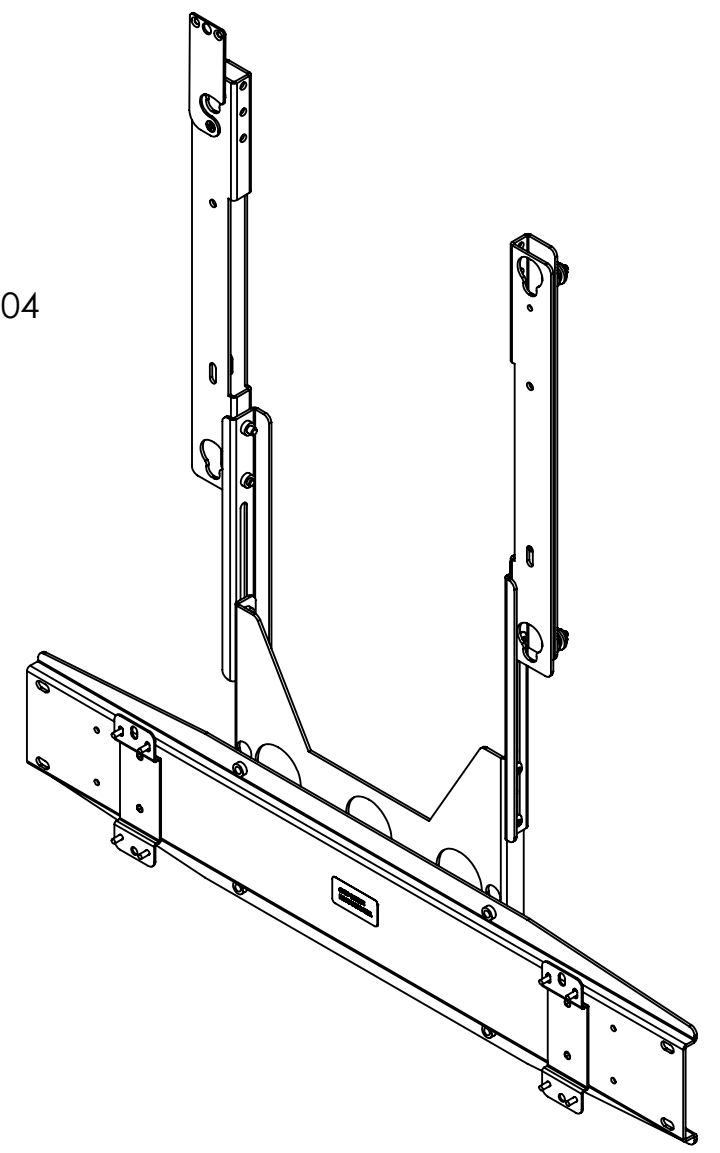
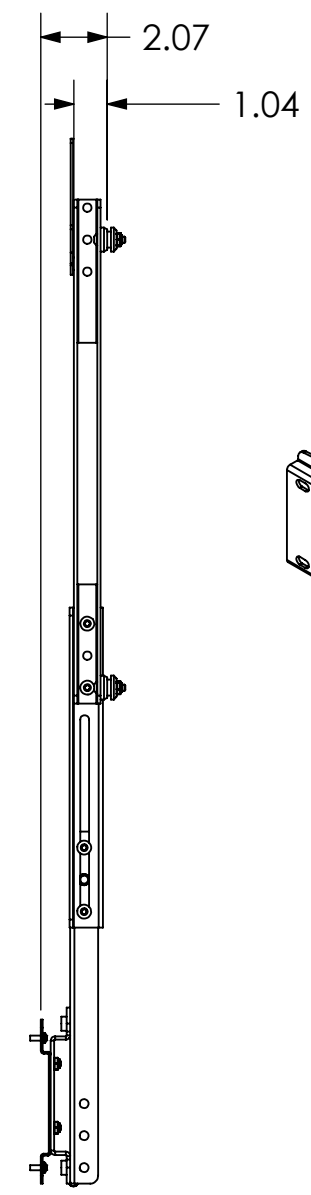
TOP MOUNTING BUTTON ON  
PSB-XXXX DRAWING GOES HERE



YSP-4100/5100  
MAX 24.57  
MIN 20.55

YSP-4000  
MAX 24.71  
MIN 20.71

YSP-800  
MAX 24.95  
MIN 20.95



**CHIEF MANUFACTURING INC.**  
PRODUCT ORDER NUMBER IS: PAC-Y3  
PHONE: 1-800-582-6480

SHEET SCALE = 1:6

THE INFORMATION AND DESIGNS CONTAINED IN THIS DRAWING ARE CONFIDENTIAL AND THE PROPRIETARY PROPERTY OF MILESTONE AV TECHNOLOGIES NEITHER THIS DESIGN NOR ANY INFORMATION CONTAINED IN THIS DRAWING MAY BE REPRODUCED OR DISCLOSED TO OTHERS WITHOUT THE EXPRESS WRITTEN CONSENT OF MILESTONE AV TECHNOLOGIES.



TITLE  
**CUSTOMER PRINT  
PAC-Y3**

SIZE DWG. NO.  
B PAC-Y3

8401 EAGLE CREEK PKY  
SUITE #700  
SAVAGE, MN 55378  
PHONE: 952-894-6280  
FAX: 877-894-6918