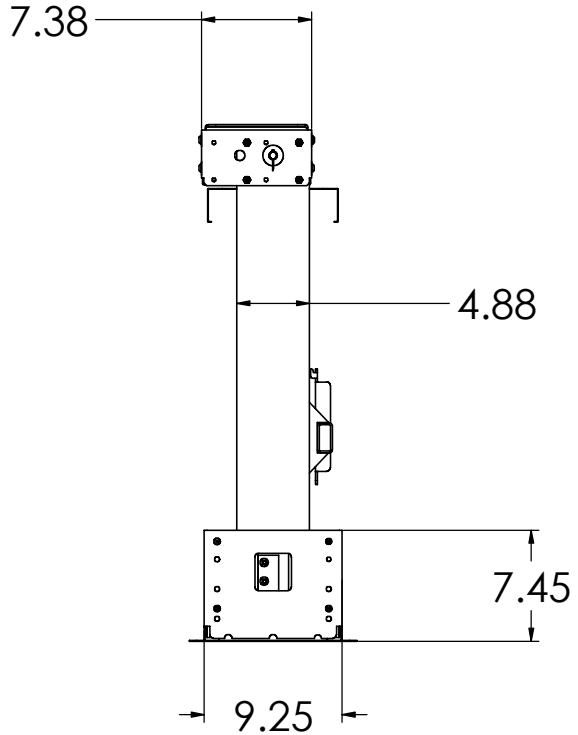
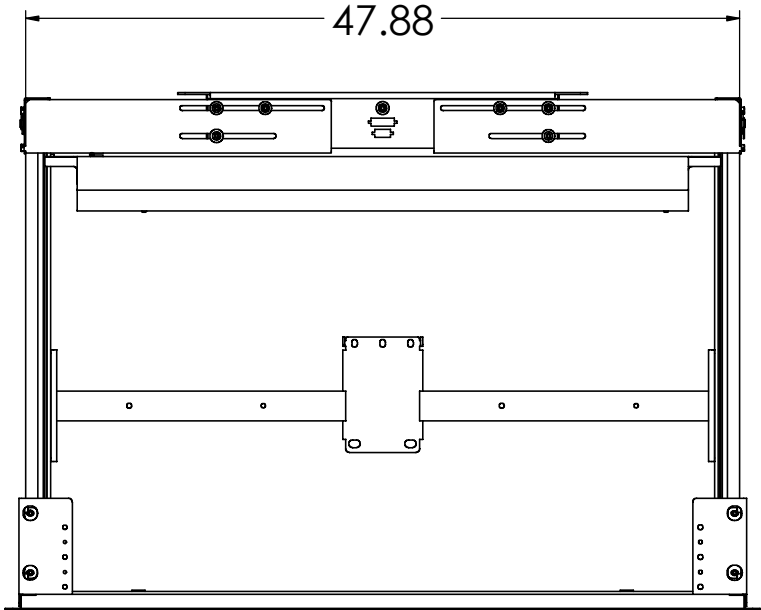
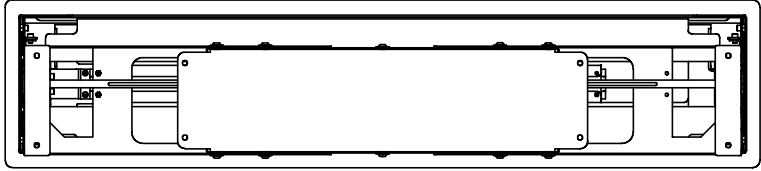


1 2 3 4 5 6 7 8

REV	DESCRIPTION	DATE	CHK	AUTH



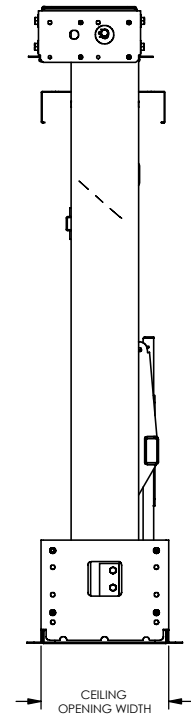
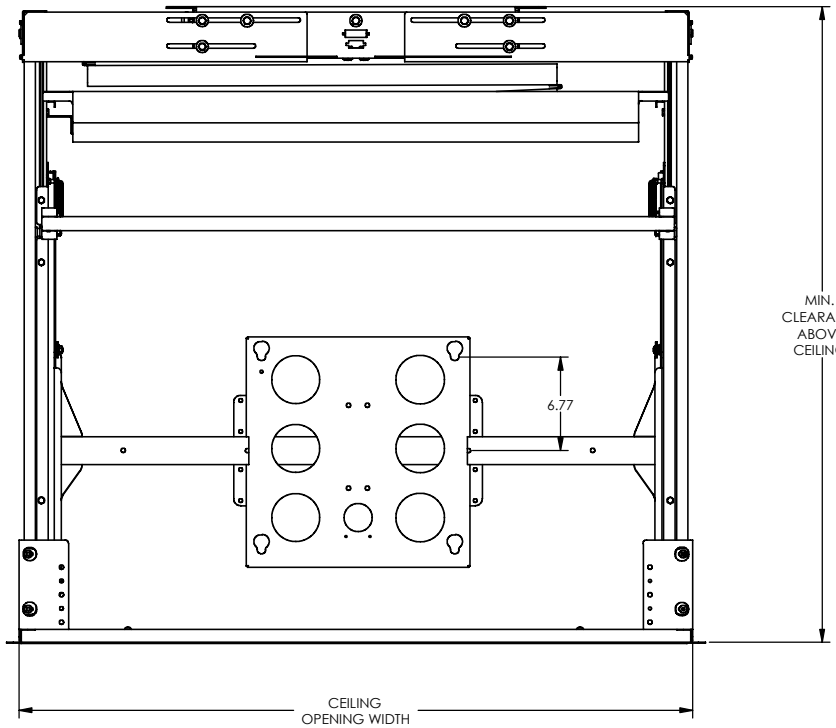
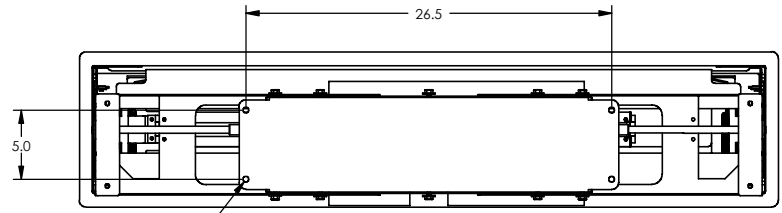
THE INFORMATION AND DESIGNS CONTAINED IN THIS DRAWING ARE CONFIDENTIAL AND THE PROPRIETARY PROPERTY OF CHIEF MFG., INC. NEITHER THIS DESIGN NOR ANY INFORMATION CONTAINED IN THIS DRAWING MAY BE REPRODUCED OR DISCLOSED TO OTHERS WITHOUT THE EXPRESS WRITTEN CONSENT OF CHIEF MFG., INC.

THIRD ANGLE PROJECTION	[X.XX] DIMENSIONS ARE IN mm XXX DIMENSIONS ARE IN INCHES	CAD GENERATED DRAWING. DO NOT MANUALLY UPDATE
DIMS. AND TOLERANCES PER ASME Y14.5 - 1994	UNLESS OTHERWISE NOTED TOLERANCES ARE:	DATE 05/03/01
MATERIAL	[X] ± 2.5mm .X ± .100 [X.X] ± .75mm .XX ± .030 [X.XX] ± .25mm .XXX ± .010 [X.XXX] ± .13mm .XXXX ± .005	DESIGNER J.A.B.
FINISH	ANGULAR: ± 0°30'	DETAILER J.A.B.
	SURFACE FINISH: 125√	RESP ENG J.A.B.
		SHEET 1 OF 1


CHIEF MANUFACTURING, INC.
12800 HWY 13 S., STE. 500 * SAVAGE, MN 55378
P 952-894-6280 * F 877-894-6918

PCL CUSTOMER DRAWING

SIZE DWG. NO. **B** REV. **A**



THE INFORMATION AND DESIGNS CONTAINED IN THIS DRAWING ARE CONFIDENTIAL AND THE PROPRIETARY PROPERTY OF CHIEF MFG., INC. NEITHER THIS DESIGN NOR ANY INFORMATION CONTAINED IN THIS DRAWING MAY BE REPRODUCED OR DISCLOSED TO OTHERS WITHOUT THE EXPRESS WRITTEN CONSENT OF CHIEF MFG., INC.

 CHIEF MANUFACTURING, INC. 14310 EWING AVENUE SOUTH • BURNSVILLE, MN 55304 952.894.6280 • Fax 952.894.6918	TITLE
	PCL, Q LATCH
SIZE	DWG. NO.
B	

1 2 3 4 5 6 7 8

1 2 3 4 5 6 7 8