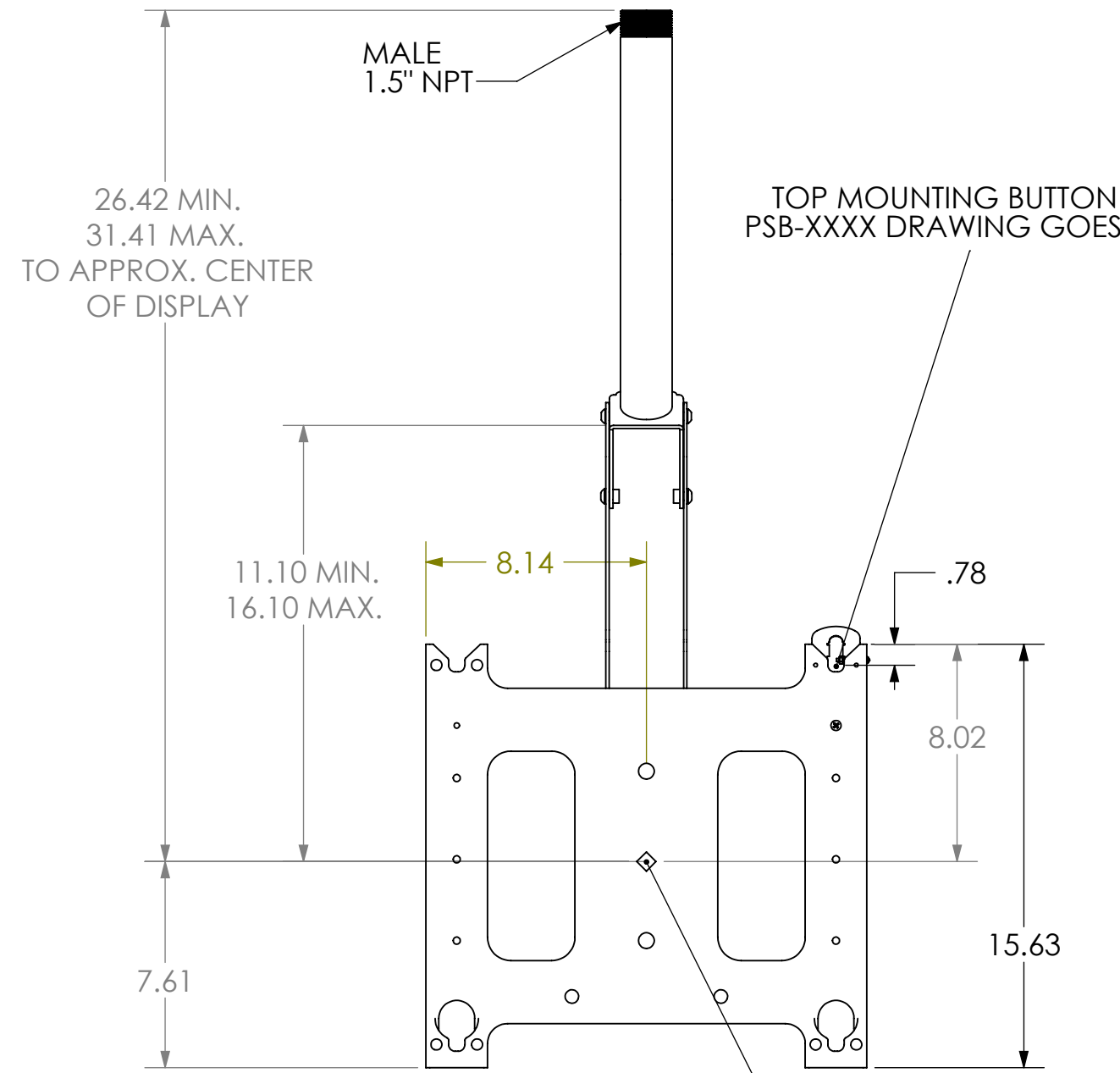
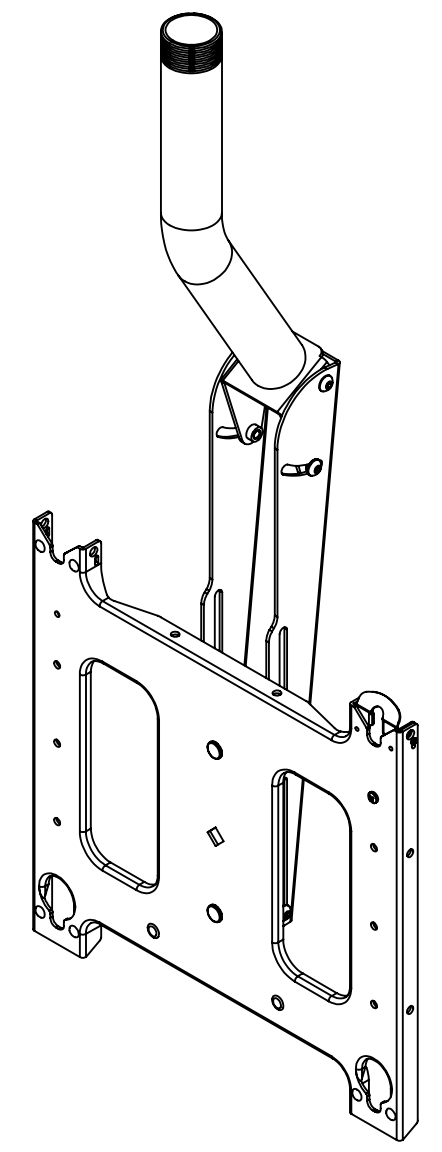
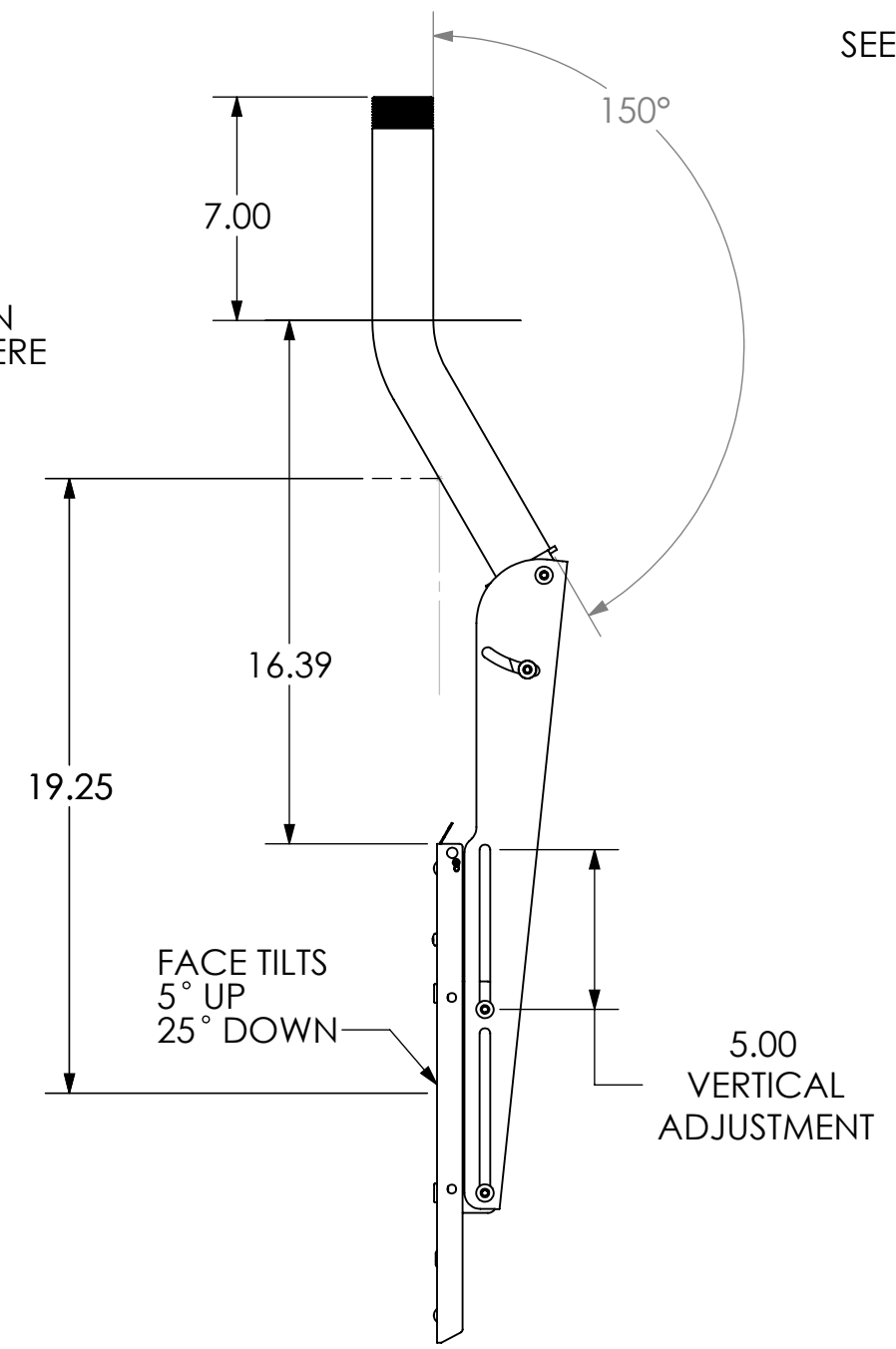


NOTE: CUSTOM INTERAFCE BRACKET NOT SHOWN. THE CUSTOM INTERFACE BRACKET NEEDED FOR YOUR DISPLAY WILL ADD BETWEEN 1/2" AND 2" IN DEPTH AND MAY AFFECT LOCATION OF DISPLAY ON THE MOUNT.

SEE PSB-XXXX DRAWING ALSO.

MAX DISPLAY HEIGHT: 38.5"



MALE
1.5" NPT

TOP MOUNTING BUTTON ON
PSB-XXXX DRAWING GOES HERE

APPROXIMATE
CENTER OF DISPLAY

THE INFORMATION AND DESIGNS CONTAINED IN THIS DRAWING ARE CONFIDENTIAL AND THE PROPRIETARY PROPERTY OF MILESTONE AV TECHNOLOGIES NEITHER THIS DESIGN NOR ANY INFORMATION CONTAINED IN THIS DRAWING MAY BE REPRODUCED OR DISCLOSED TO OTHERS WITHOUT THE EXPRESS WRITTEN CONSENT OF MILESTONE AV TECHNOLOGIES.

| | | | |
|---|----|---------------------|---|
| CAD GENERATED DRAWING, DO NOT MANUALLY UPDATE. | | | <p>6436 CITY WEST PKWY EDEN PRAIRIE MN, 55344 PHONE: 866-977-3901 FAX: 877-894-6918</p> |
| DRAWN BY | JN | 6/12/2013 | |
| ENG APPROVAL | | | DESCRIPTION PCM Assembly |
| MFG APPROVAL | | | MODEL NO. HANGING HORIZONTAL ASSY PCM |
| QA APPROVAL | | | SIZE DWG. NO. B TECH-000422 |
| SHEET 1 OF 1 | | SCALE 1:6 | REV. 00 |