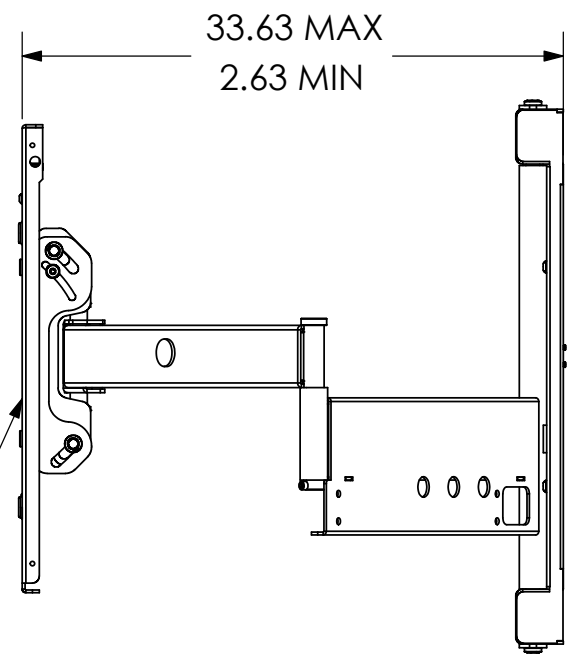
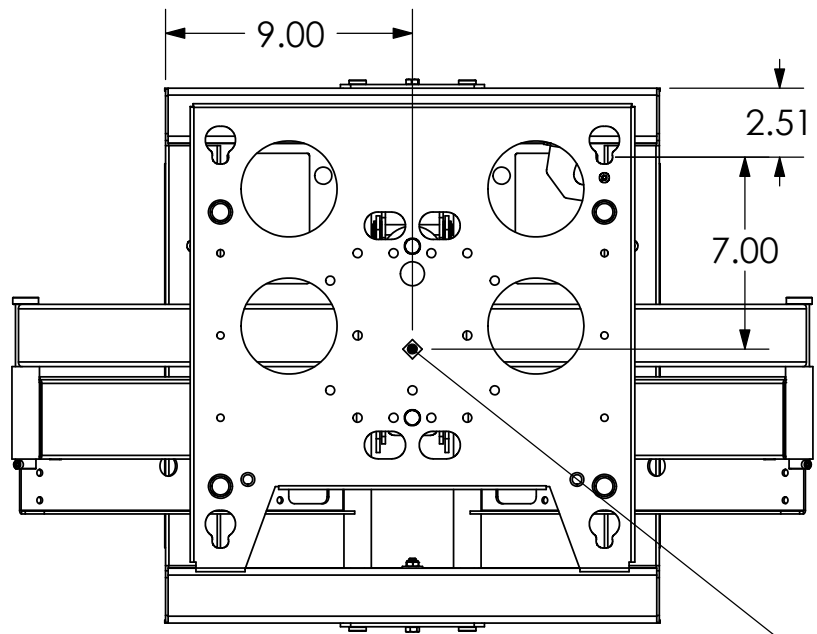


5/16" x 7/8" SLOT



FACE TILTS
5° UP
15° DOWN

APPROXIMATE
CENTER OF DISPLAY

NOTE: CUSTOM INTERAFCE BRACKET NOT SHOWN. THE CUSTOM INTERFACE BRACKET NEEDED FOR YOUR DISPLAY WILL ADD BETWEEN 1/2" AND 2" IN DEPTH AND MAY AFFECT LOCATION OF DISPLAY ON THE MOUNT.


SEE PSB-XXXX DRAWING ALSO.

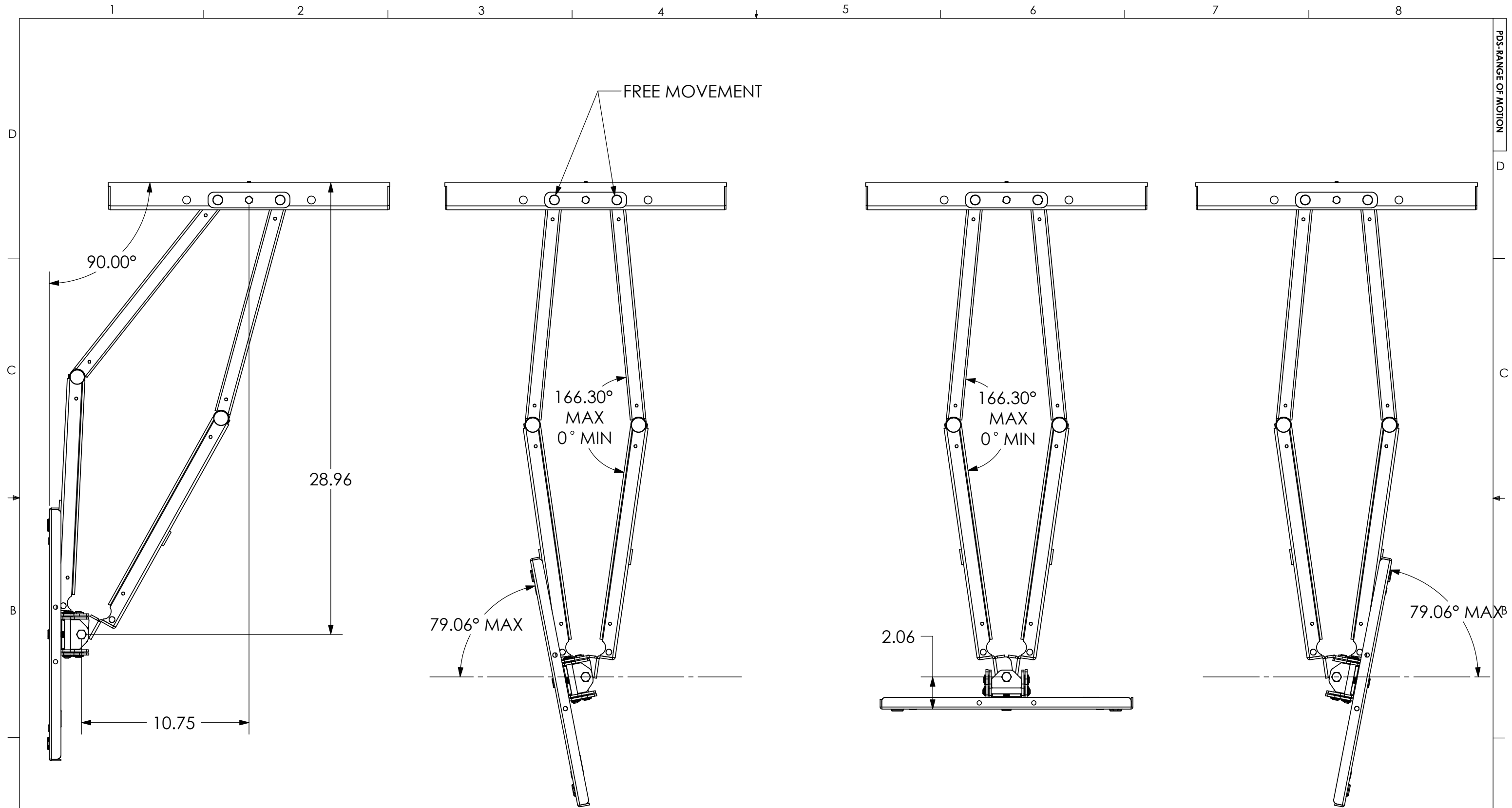


CHIEF MANUFACTURING INC.
MOUNT ORDER NUMBER IS PDS-2000
PHONE: 1-800-582-6480

SHEET SCALE = 1:7

THE INFORMATION AND DESIGNS CONTAINED IN THIS DRAWING ARE CONFIDENTIAL AND THE PROPRIETARY PROPERTY OF CHIEF MFG., INC. NEITHER THIS DESIGN NOR ANY INFORMATION CONTAINED IN THIS DRAWING MAY BE REPRODUCED OR DISCLOSED TO OTHERS WITHOUT THE EXPRESS WRITTEN CONSENT OF CHIEF MFG., INC.


 CHIEF MANUFACTURING, INC. <small>8401 EAGLE CREEK PKWY STE. 700, SAVAGE, MN 55378 1.800.582.6480 * FAX 1.877.894.6918</small>	
<small>TITLE</small> CUSTOMER PRINT PDS-2000	
<small>SIZE</small> B	<small>DWG. NO.</small> PDS-2000



CHIEF MANUFACTURING INC.
MOUNT ORDER NUMBER IS PDS-RANGE OF MOTION
PHONE: 1-800-582-6480

SHEET SCALE = 1:6

THE INFORMATION AND DESIGNS CONTAINED IN THIS DRAWING ARE CONFIDENTIAL AND THE PROPRIETARY PROPERTY OF CHIEF MFG., INC. NEITHER THIS DESIGN NOR ANY INFORMATION CONTAINED IN THIS DRAWING MAY BE REPRODUCED OR DISCLOSED TO OTHERS WITHOUT THE EXPRESS WRITTEN CONSENT OF CHIEF MFG., INC.

 CHIEF MANUFACTURING, INC. <small>8401 EAGLE CREEK PKWY STE. 700, SAVAGE, MN 55378 1.800.582.6480 * FAX 1.877.894.6918</small>	
TITLE	
CUSTOMER PRINT	
PDS-RANGE OF MOTION	
SIZE	DWG. NO.
B	PDS-RANGE OF MOTION