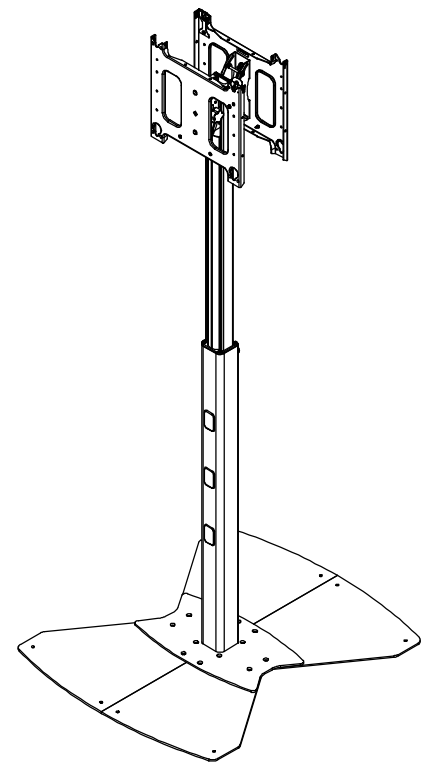
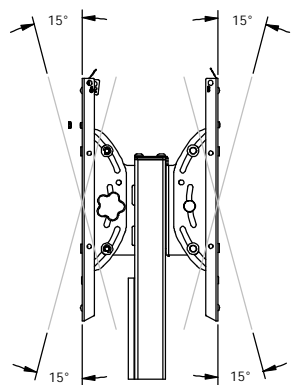
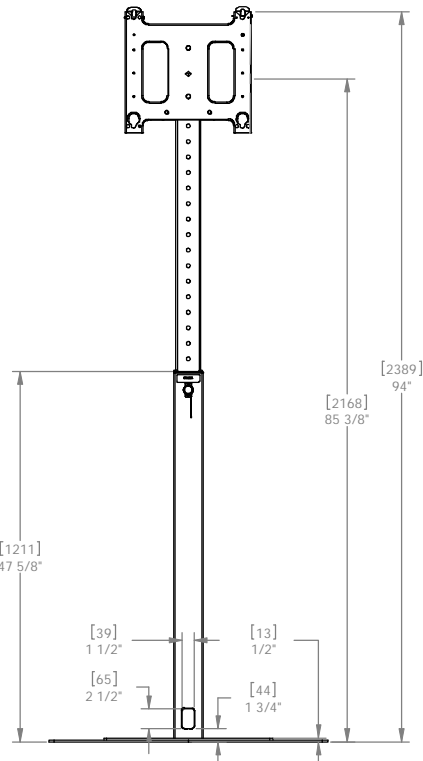
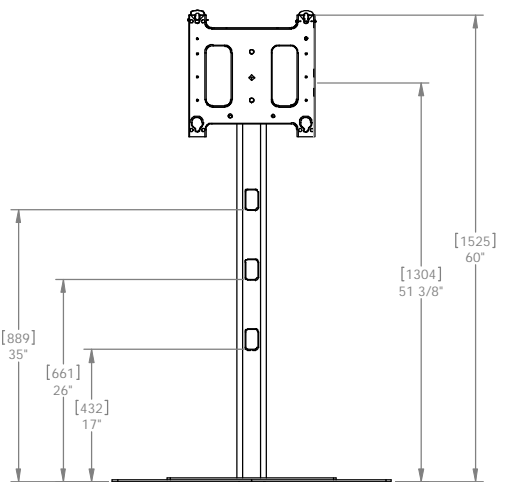


NOTE: CUSTOM INTERFACE BRACKET NOT SHOWN. THE CUSTOM INTERFACE BRACKET NEEDED FOR YOUR DISPLAY WILL ADD BETWEEN 1/2" AND 2" IN DEPTH AND MAY AFFECT LOCATION OF DISPLAY ON THE MOUNT.

SEE PSBU DRAWING ALSO.

PRODUCT FEATURES	
WEIGHT CAPACITY	400 LBS (200 LBS PER FACEPLATE)
HEIGHT ADJUSTMENT (GROUND TO MIDDLE OF SCREEN)	51-3/8" TO 85-3/8" IN 2" INCREMENTS
TILT / ROLL / YAW	±15° / ±0° / ±0°



CHIEF MANUFACTURING INC.
 MOUNT ORDER NUMBER IS PF2U
 PHONE: 1-800-582-6480
 11/3/2010

ALL MEASUREMENTS ARE IN THE FOLLOWING FORMAT:
 (MILLIMETERS)
 INCHES

THE INFORMATION AND DESIGNS CONTAINED IN THIS DRAWING ARE CONFIDENTIAL AND THE PROPRIETARY PROPERTY OF CHIEF MFG., INC. NEITHER THIS DESIGN NOR ANY INFORMATION CONTAINED IN THIS DRAWING MAY BE REPRODUCED OR DISCLOSED TO OTHERS WITHOUT THE EXPRESS WRITTEN CONSENT OF CHIEF MFG., INC.

	CHIEF MANUFACTURING, INC. 8401 EAGLE CREEK PKWY • SAVAGE, MN 55378 1.800.582.6480 • fax 1.877.894.6918
	TITLE CUSTOMER PRINT 4'-7" DUAL LARGE FLAT PANEL FLOOR STAND
SIZE DWG. NO.	B BRACKET ORDER # PF2U

BRACKET ORDER # PF2U