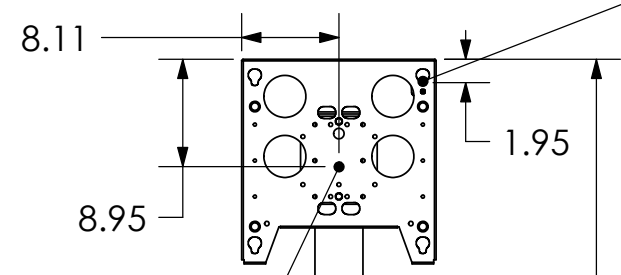


NOTE: CUSTOM INTERAFCE BRACKET NOT SHOWN. THE CUSTOM INTERFACE BRACKET NEEDED FOR YOUR DISPLAY WILL ADD BETWEEN 1/2" AND 2" IN DEPTH AND MAY AFFECT LOCATION OF DISPLAY ON THE MOUNT.

SEE PSB-XXXX DRAWING ALSO.

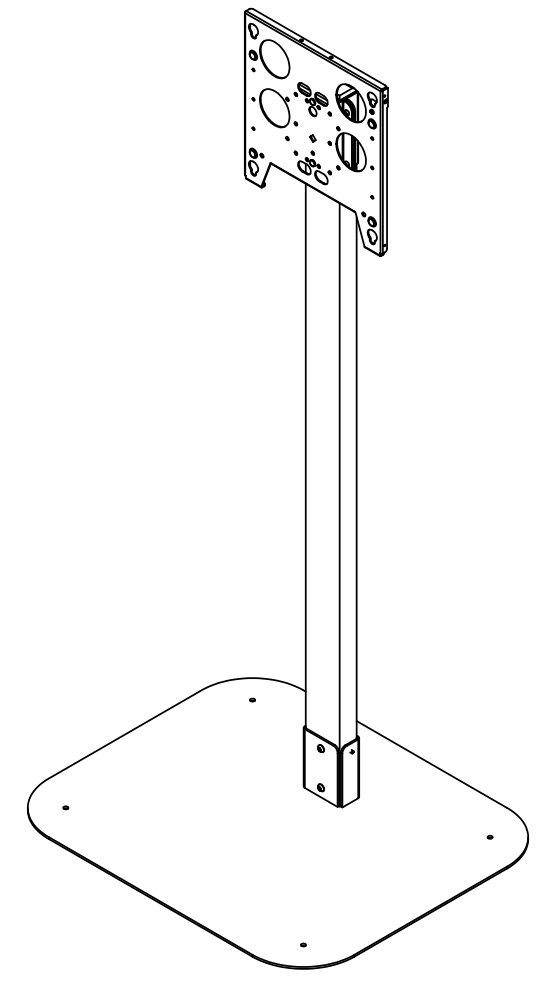
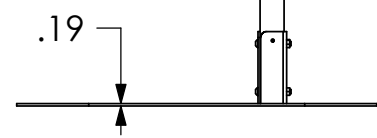
TOP MOUNTING BUTTON ON PSB-XXXX DRAWING GOES HERE



APPROXIMATE CENTER OF DISPLAY

76.89
MAX HEIGHT

MOUNTING HEAD CAN BE PLACED AT ANY HEIGHT ON THE POST



CHIEF MANUFACTURING INC.
MOUNT ORDER NUMBER IS PFS-2172
PHONE: 1-800-582-6480

THE INFORMATION AND DESIGNS CONTAINED IN THIS DRAWING ARE CONFIDENTIAL AND THE PROPRIETARY PROPERTY OF CHIEF MFG., INC. NEITHER THIS DESIGN NOR ANY INFORMATION CONTAINED IN THIS DRAWING MAY BE REPRODUCED OR DISCLOSED TO OTHERS WITHOUT THE EXPRESS WRITTEN CONSENT OF CHIEF MFG., INC.

CHIEF MANUFACTURING, INC. <small>8401 EAGLE CREEK PKWY STE. 700, SAVAGE, MN 55378 1.800.582.6480 * FAX 1.877.894.6918</small>	
TITLE CUSTOMER PRINT PFS-2172	
SIZE B	DWG. NO. PFS-2172

SHEET SCALE = 1:16

PFS-2172

D

C

B

A