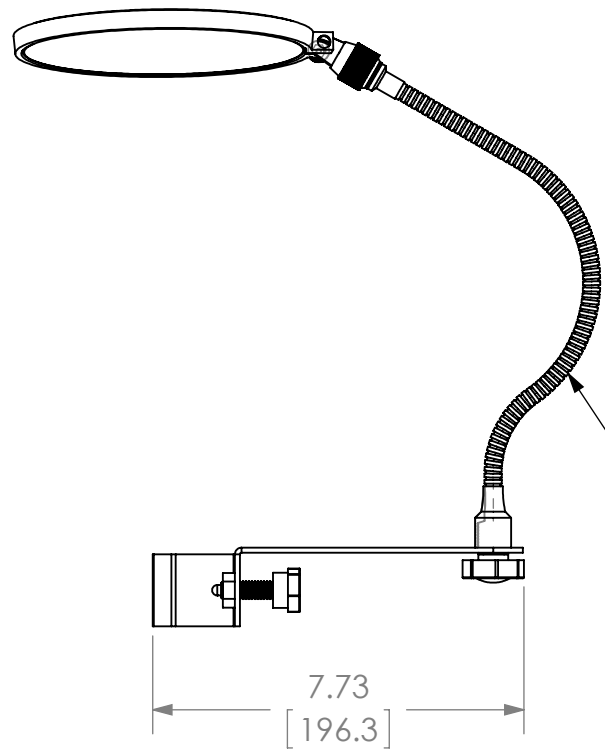
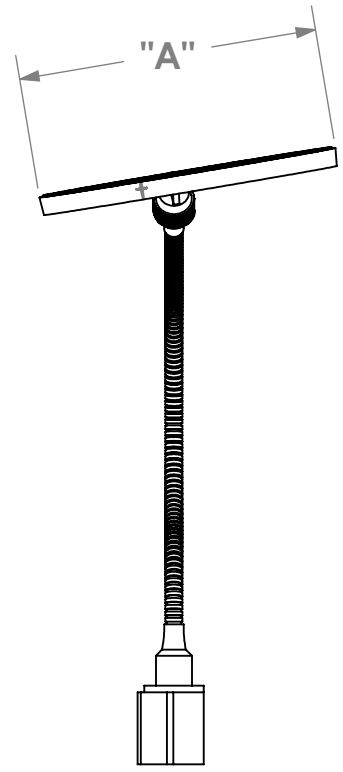
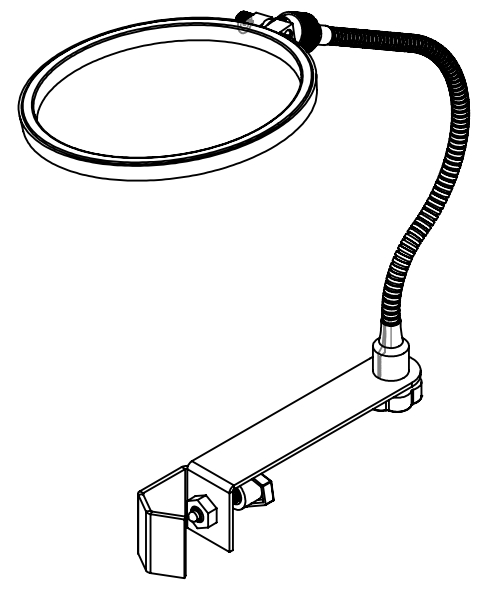
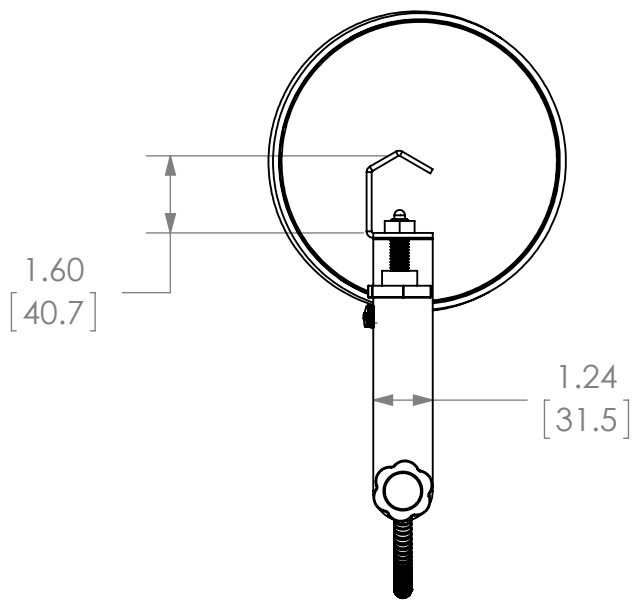


MODEL	DIMENSION "A"
POMT	Ø 6.25 [158.7mm]
POMT-8	Ø 8.25 [209.6mm]
POMT-ST	Ø 5.60 [142.2mm]



FLEX GOOSENECK COMPONENT  
 Ø .375 OD. X Ø .226 ID. X 13" LONG MAX  
 MINIMUM BEND DIAMETER 2.50



**CHIEF MANUFACTURING**  
**MOUNT ORDER NUMBER IS POMT-X**  
**PHONE: 1-800-582-6480**

SHEET SCALE = 1:8

THE INFORMATION AND DESIGNS CONTAINED IN THIS DRAWING ARE CONFIDENTIAL AND THE PROPRIETARY PROPERTY OF MILESTONE AV TECHNOLOGIES. NEITHER THIS DESIGN NOR ANY INFORMATION CONTAINED IN THIS DRAWING MAY BE REPRODUCED OR DISCLOSED TO OTHERS WITHOUT THE EXPRESS WRITTEN CONSENT OF MILESTONE AV TECHNOLOGIES.



8401 EAGLE CREEK PKY  
 SUITE #700  
 SAVAGE, MN 55378  
 PHONE: 952-894-6280  
 FAX: 877-894-6918

TITLE  
**CUSTOMER PRINT**  
**POMT-X**

SIZE | DWG. NO.  
**B | POMT-X**