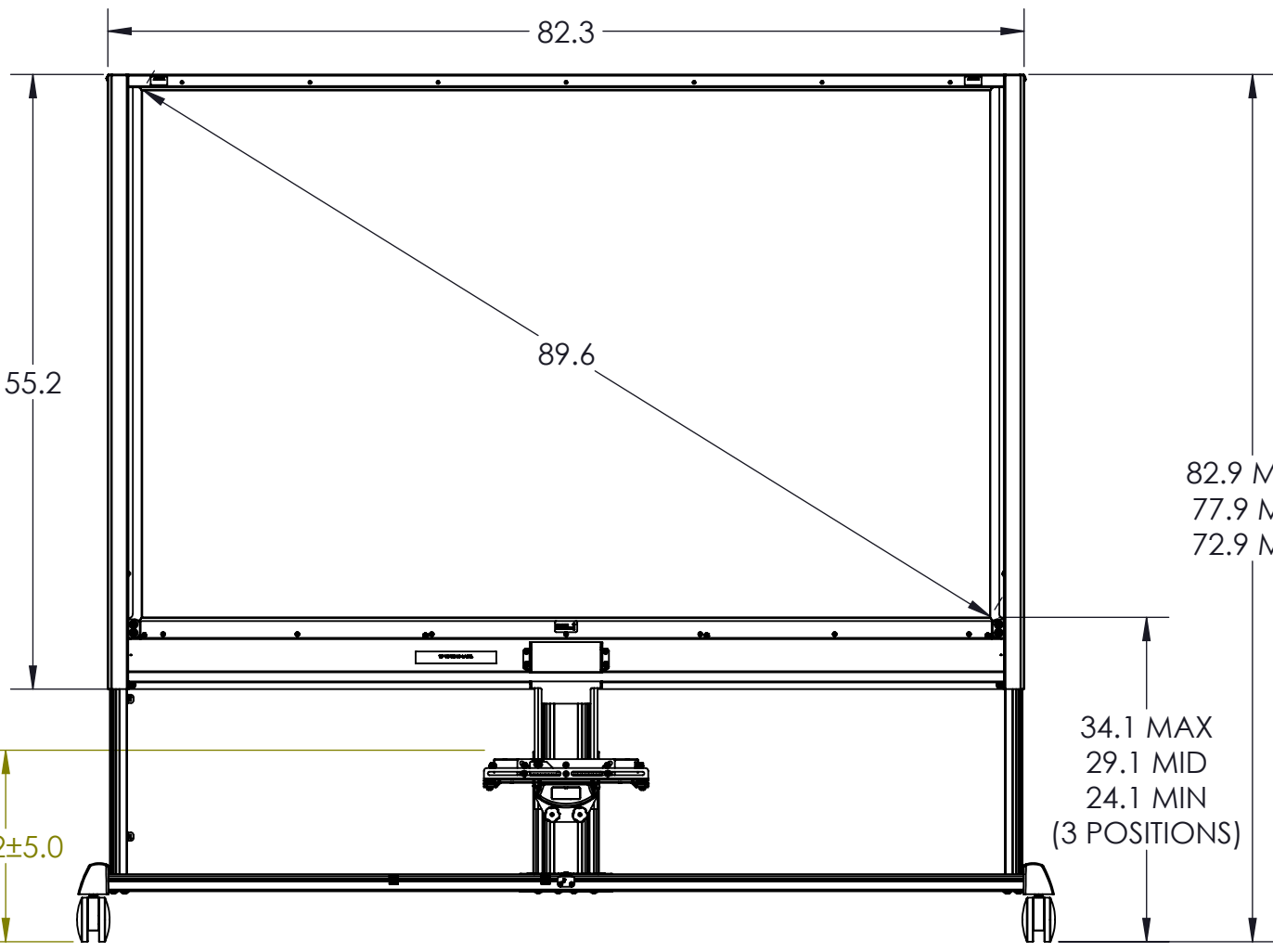
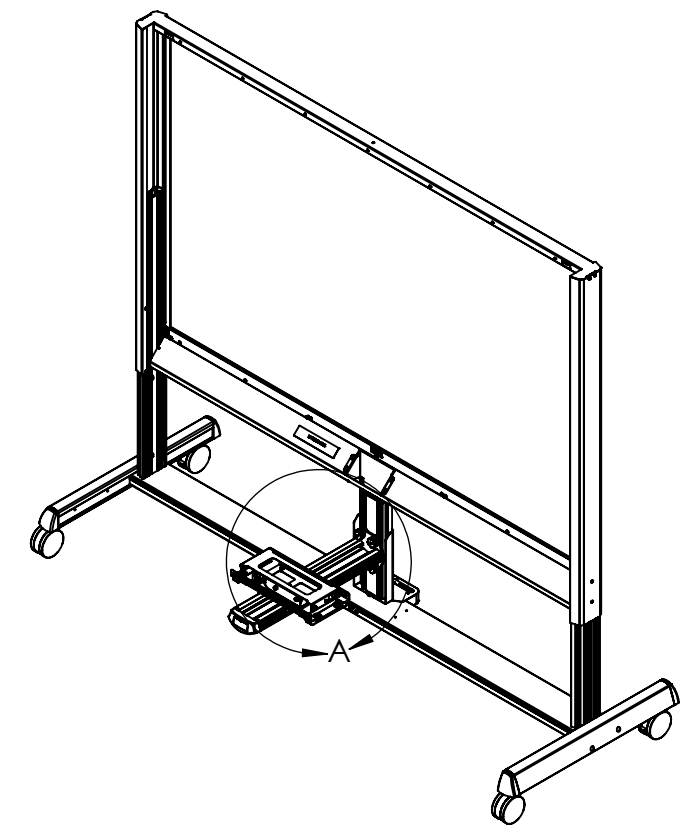
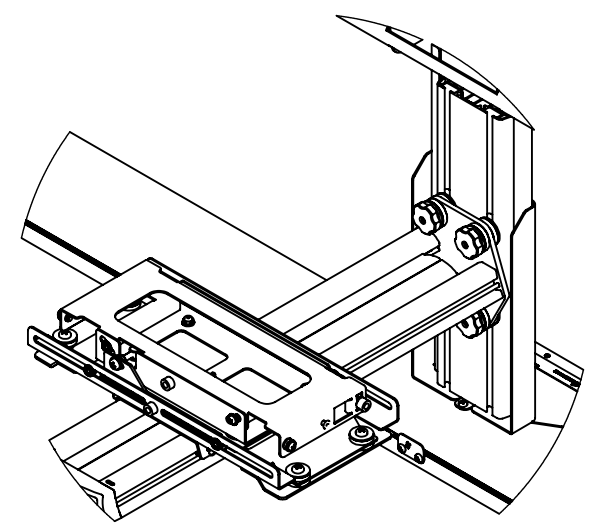
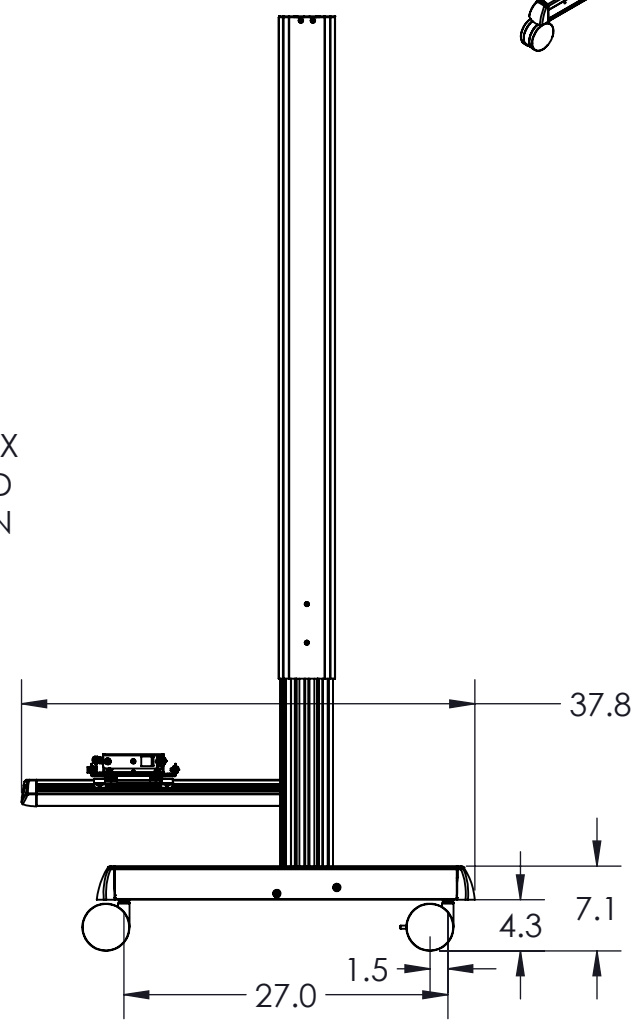


CENTER OF PROJECTOR
TO SCREEN
21.2 MAX



82.9 MAX
77.9 MID
72.9 MIN

34.1 MAX
29.1 MID
24.1 MIN
(3 POSITIONS)



DETAIL A
SCALE 1 : 8

THE INFORMATION AND DESIGNS CONTAINED IN THIS DRAWING ARE CONFIDENTIAL AND THE PROPRIETARY PROPERTY OF MILESTONE AV TECHNOLOGIES NEITHER THIS DESIGN NOR ANY INFORMATION CONTAINED IN THIS DRAWING MAY BE REPRODUCED OR DISCLOSED TO OTHERS WITHOUT THE EXPRESS WRITTEN CONSENT OF MILESTONE AV TECHNOLOGIES.

CAD GENERATED DRAWING, DO NOT MANUALLY UPDATE.			DESCRIPTION		
DRAWN BY	MJS	2/6/2013	PROJECTA 16:10 INTERACTIVE CART		
ENG APPROVAL	MJS	2/6/2013			
MFG APPROVAL					
QA APPROVAL			MODEL NO. 11630010		
SHEET 1 OF 1		SCALE 1:16	SIZE B	DWG. NO. TECH-000317	REV. 01