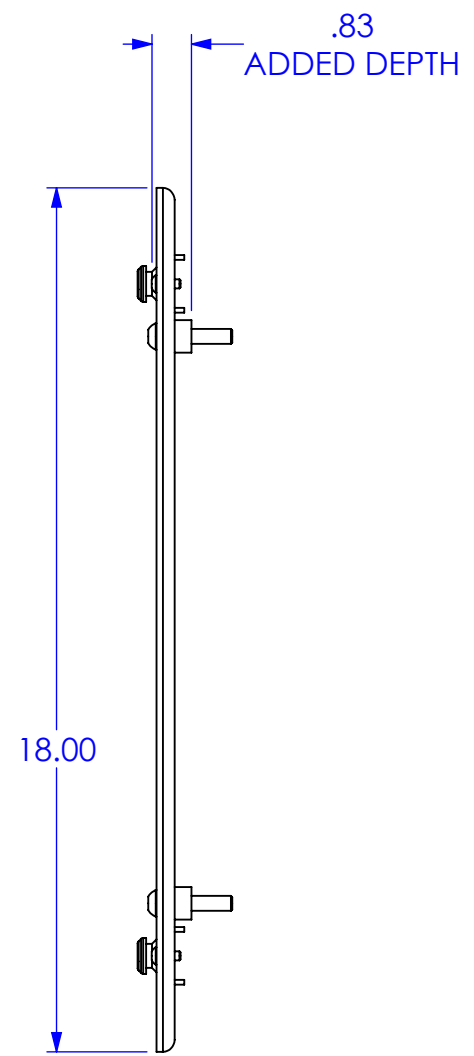


MOUNTING HOLE IN BACK OF DISPLAY



THE INFORMATION AND DESIGNS CONTAINED IN THIS DRAWING ARE CONFIDENTIAL AND THE PROPRIETARY PROPERTY OF MILESTONE AV TECHNOLOGIES NEITHER THIS DESIGN NOR ANY INFORMATION CONTAINED IN THIS DRAWING MAY BE REPRODUCED OR DISCLOSED TO OTHERS WITHOUT THE EXPRESS WRITTEN CONSENT OF MILESTONE AV TECHNOLOGIES.

CAD GENERATED DRAWING, DO NOT MANUALLY UPDATE.			6436 CITY WEST PKWY EDEN PRAIRIE MN, 55344 PHONE: 866-977-3901 FAX: 877-894-6918		
DRAWN BY	MW	3/4/2013	DESCRIPTION		
ENG APPROVAL			PSB2019		
MFG APPROVAL			MODEL NO.		
QA APPROVAL			PSB2019		
SHEET 1 OF 1		SCALE	SIZE	DWG. NO.	REV.
		1:4	B	TECH-000147	00