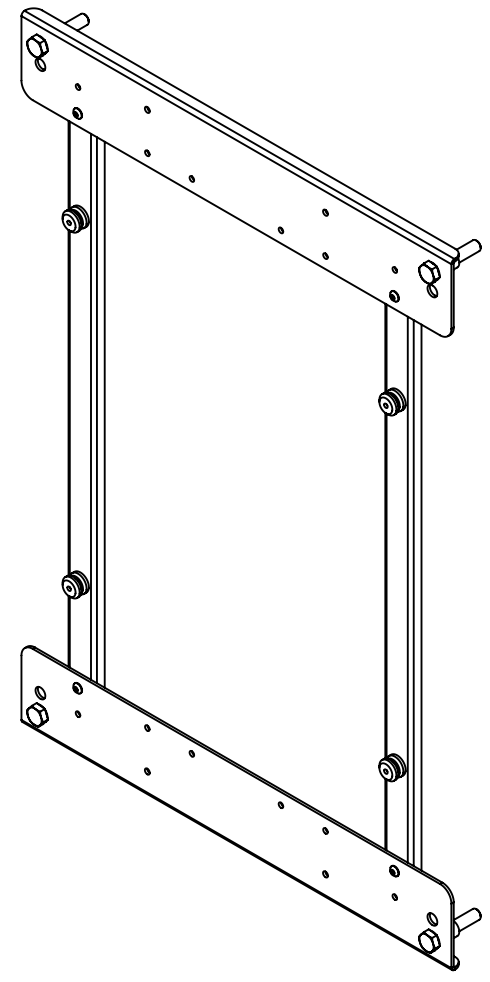
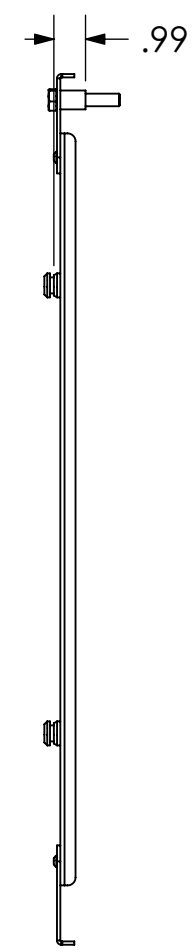
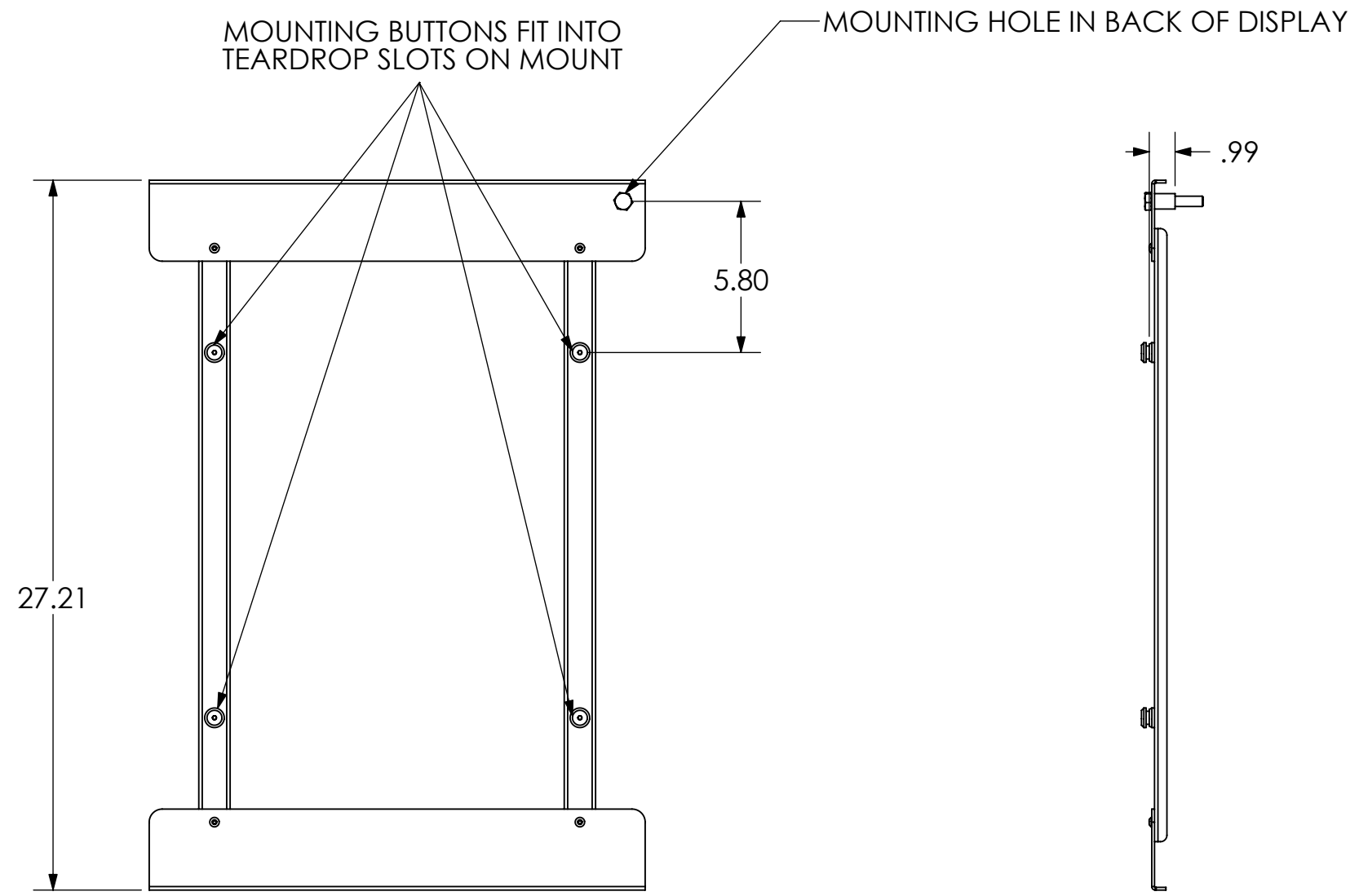
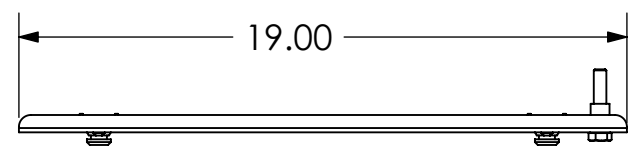


1 2 3 4 5 6 7 8

PSB-2244



D

C

B

A



CHIEF MANUFACTURING INC.
MOUNT ORDER NUMBER IS PSB-2244
PHONE: 1-800-582-6480

SHEET SCALE = 1:6

THE INFORMATION AND DESIGNS CONTAINED IN THIS DRAWING ARE CONFIDENTIAL AND THE PROPRIETARY PROPERTY OF CHIEF MFG., INC. NEITHER THIS DESIGN NOR ANY INFORMATION CONTAINED IN THIS DRAWING MAY BE REPRODUCED OR DISCLOSED TO OTHERS WITHOUT THE EXPRESS WRITTEN CONSENT OF CHIEF MFG., INC.

	CHIEF MANUFACTURING, INC. <small>8401 EAGLE CREEK PKWY STE. 700, SAVAGE, MN 55378 1.800.582.6480 * FAX 1.877.894.6918</small>
	TITLE CUSTOMER PRINT PSB-2244
SIZE B	DWG. NO. PSB-2244

1 2 3 4 5 6 7 8