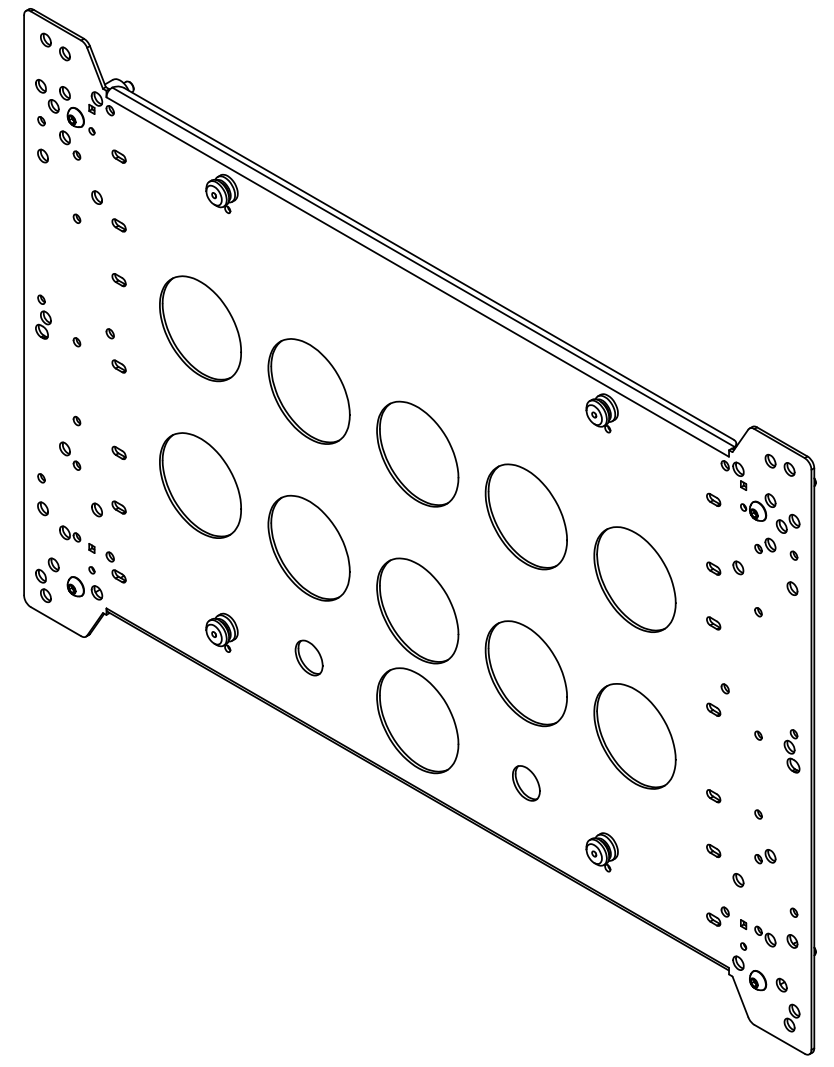
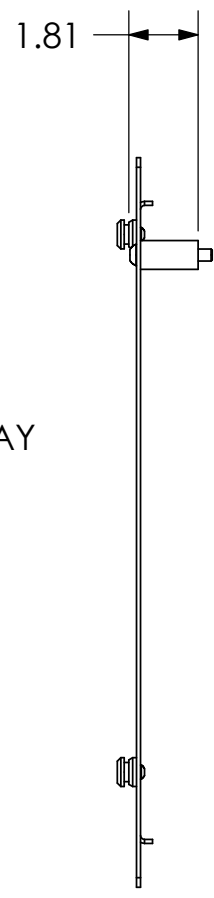
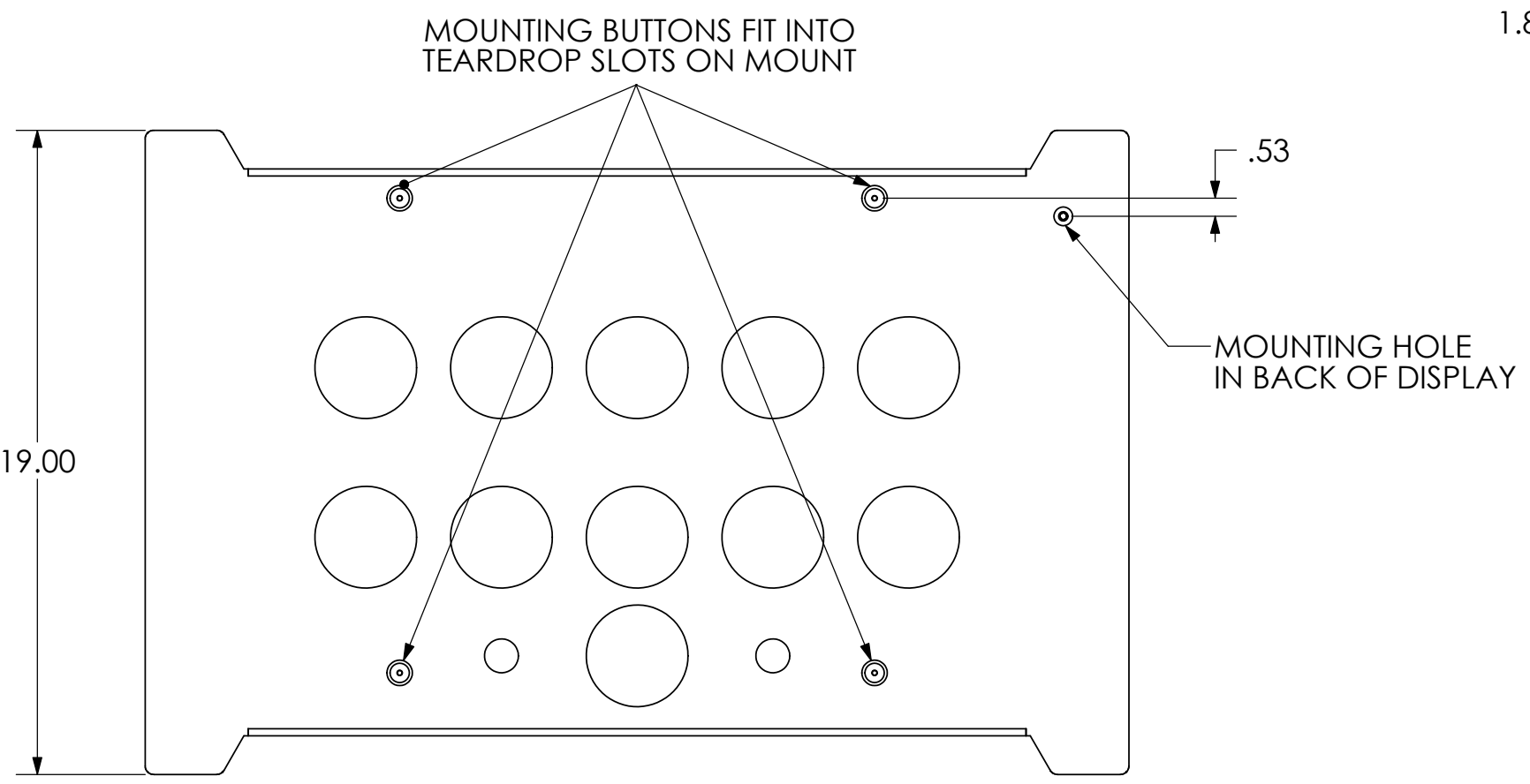
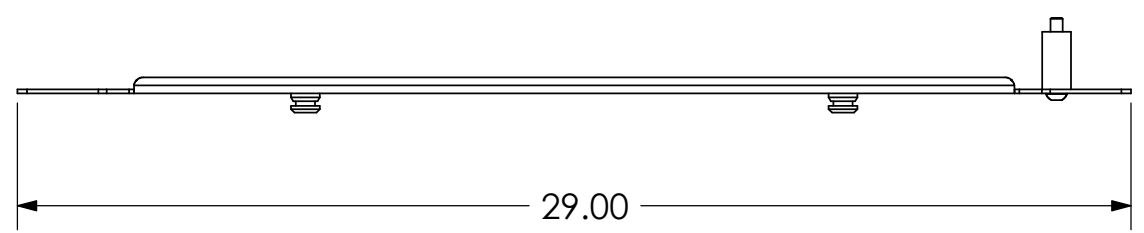


1 2 3 4 5 6 7 8

PSB-2532



**CHIEF MANUFACTURING INC.**  
**MOUNT ORDER NUMBER IS PSB-2532**  
**PHONE: 1-800-582-6480**

SHEET SCALE = 1:5

THE INFORMATION AND DESIGNS CONTAINED IN THIS DRAWING ARE CONFIDENTIAL AND THE PROPRIETARY PROPERTY OF CHIEF MFG., INC. NEITHER THIS DESIGN NOR ANY INFORMATION CONTAINED IN THIS DRAWING MAY BE REPRODUCED OR DISCLOSED TO OTHERS WITHOUT THE EXPRESS WRITTEN CONSENT OF CHIEF MFG., INC.

CHIEF	MANUFACTURING, INC. 8401 EAGLE CREEK PKWY STE. 700, SAVAGE, MN 55378 1.800.582.6480 * FAX 1.877.894.6918
	TITLE <b>CUSTOMER PRINT PSB-2532</b>
SIZE <b>B</b>	DWG. NO. <b>PSB-2532</b>

1 2 3 4 5 6 7 8