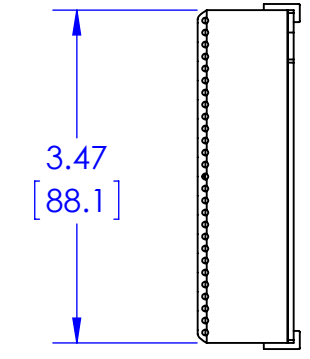
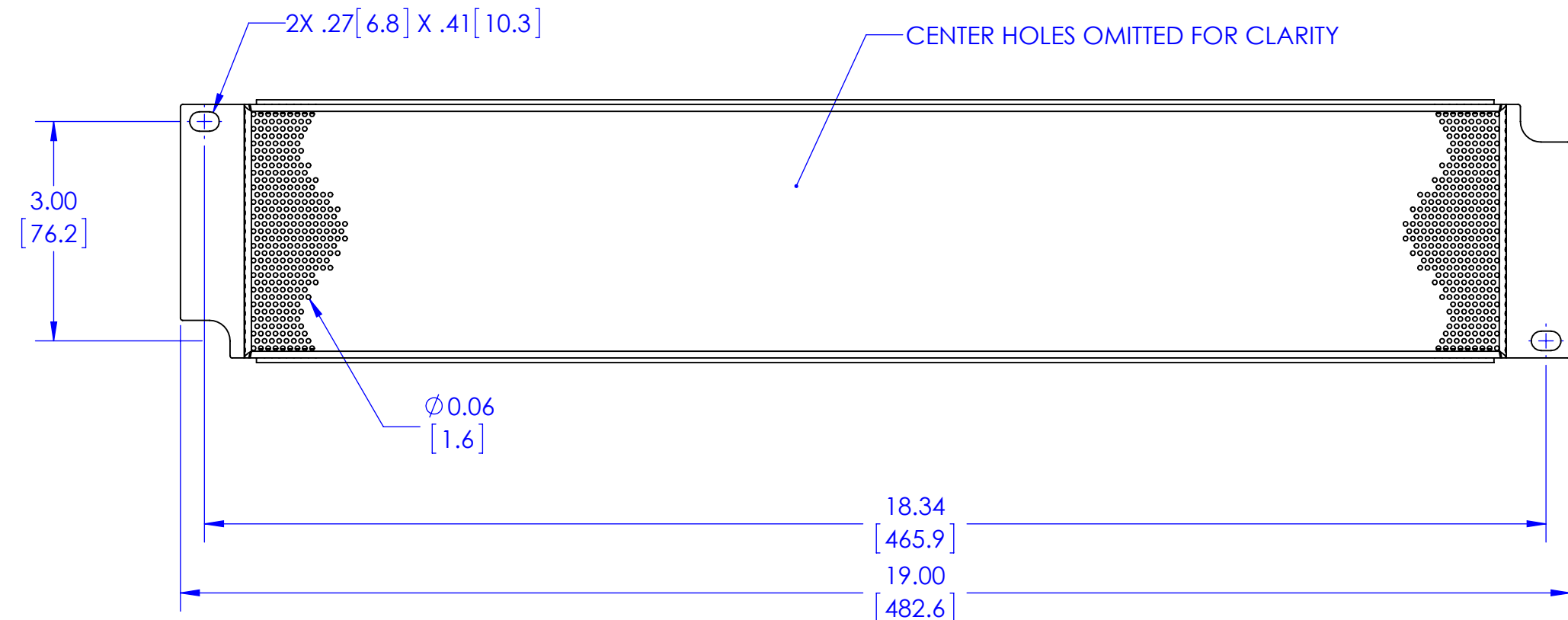
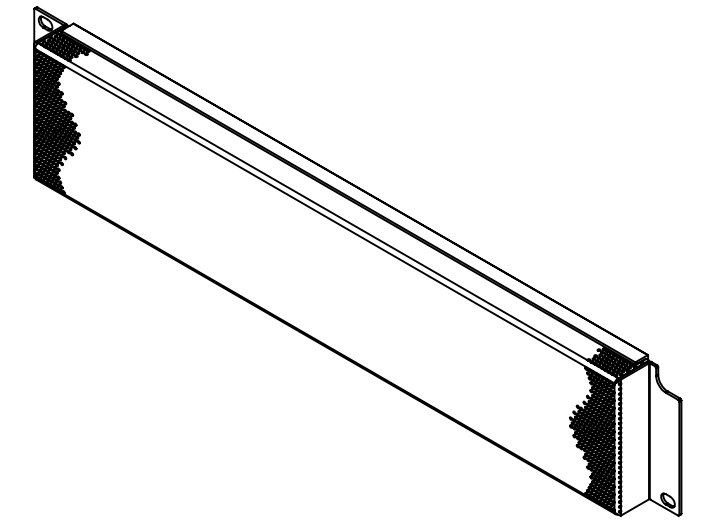
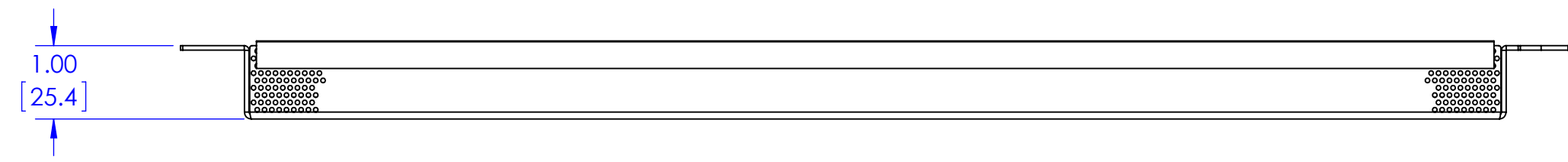


D
C
B
A

D
C
B
A



THE INFORMATION AND DESIGNS CONTAINED IN THIS DRAWING ARE CONFIDENTIAL AND THE PROPRIETARY PROPERTY OF MILESTONE AV TECHNOLOGIES NEITHER THIS DESIGN NOR ANY INFORMATION CONTAINED IN THIS DRAWING MAY BE REPRODUCED OR DISCLOSED TO OTHERS WITHOUT THE EXPRESS WRITTEN CONSENT OF MILESTONE AV TECHNOLOGIES.

CAD GENERATED DRAWING, DO NOT MANUALLY UPDATE.				6436 CITY WEST PKWY EDEN PRAIRIE MN, 55344 PHONE: 866-977-3901 FAX: 877-894-6918	
DRAWN BY	HEF	5/16/2013		DESCRIPTION PSC-2	
ENG APPROVAL			MODEL NO. PSC-2		
MFG APPROVAL			REV. 00		
QA APPROVAL			SIZE DWG. NO. B TECH-000402		
SHEET 1 OF 1		SCALE 1:4			

1 2 3 4 5 6 7 8

1 2 3 4 5 6 7 8