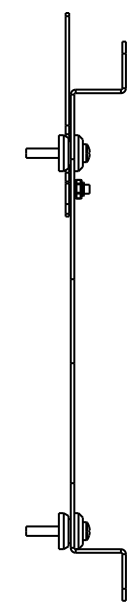
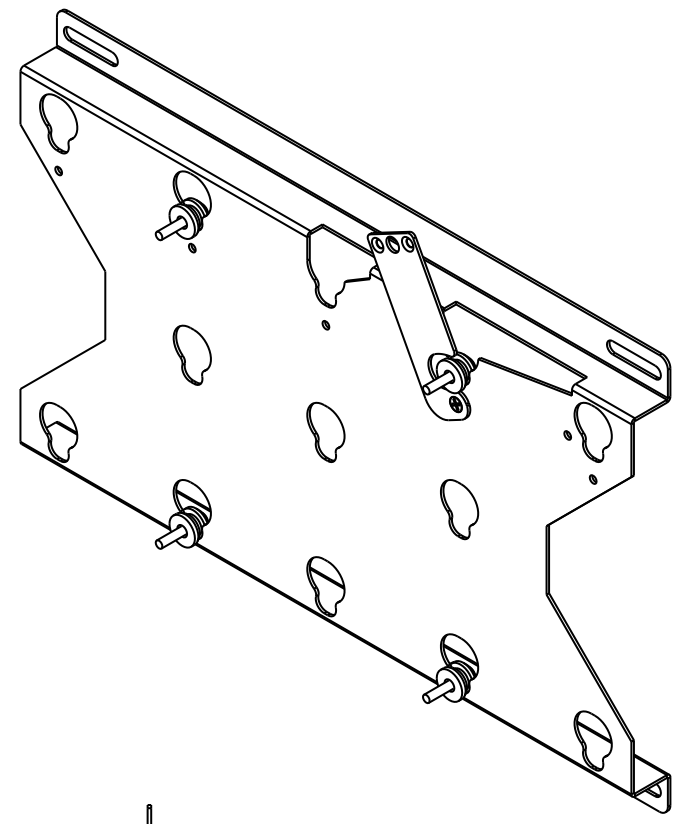
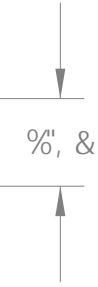
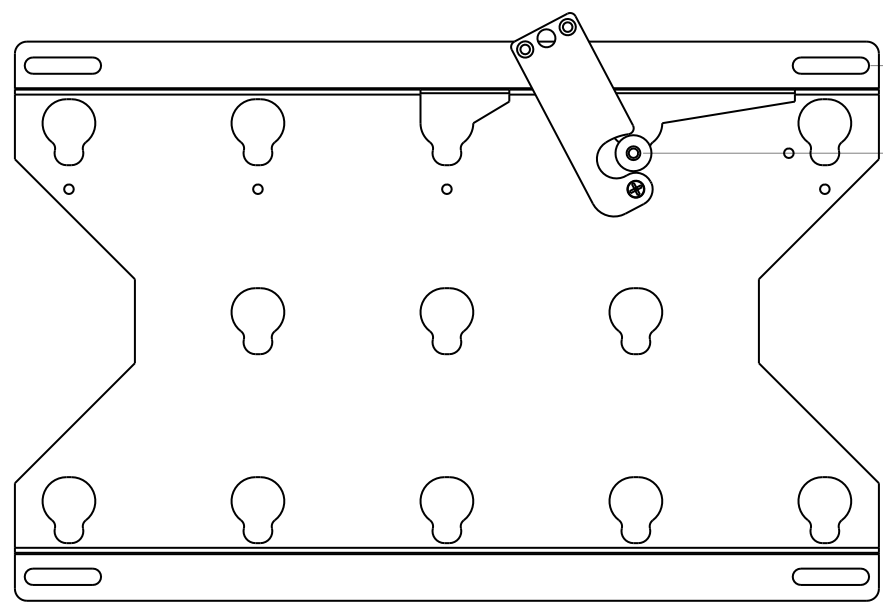


8
7
6
5



7 < 9. A 5BI : 57H F B; 'B 7"
A CI BHC F8 9 F BI A 6 9 F 'G DGA ! && (* ' Q Q
D < CB 9. %, \$ \$!), & * (, \$

G < 99HG 7 5 @ 1 '% (

H 9 - B : CFA 5HC B '5B8 '89G 7 BG 7CBH 5 -B 98
-B 'H -G 8F5K -B; '5F97CB : -89BH5@5B8 'H 9
DFC DF -9 5FMDFC D 9 FMC : 7 < 9. 'A : ; 'Z -B 7"
B 9 H 9 F 'H -G 89G 7 B 'BCF '5BM B : CFA 5HC B
7CBH 5 -B 98 -B 'H -G 8F5K -B; 'A 5M69
F 9DFC 8I 7 98 'CF '8 -G 7 @ G 98 'H C 'H 9FG
K H C I H H 9 9 LDF 9G K F H 9 B 7CB 9 9BHC :
7 < 9. 'A : ; 'Z -B 7"



7 I G H C A 9 F 'DF -BH
DGA ! && (* ' Q Q

6 DGA ! && (* ' Q Q

(\$%95; @9 7 F99? D?M
G #P; +\$\$
(5J5: 92A B))'; +,
D<CB9.;) &.; -(1* & \$
:5L.; ++, -(1*-%

DGA ! && (* ' Q Q
8
7
6
5